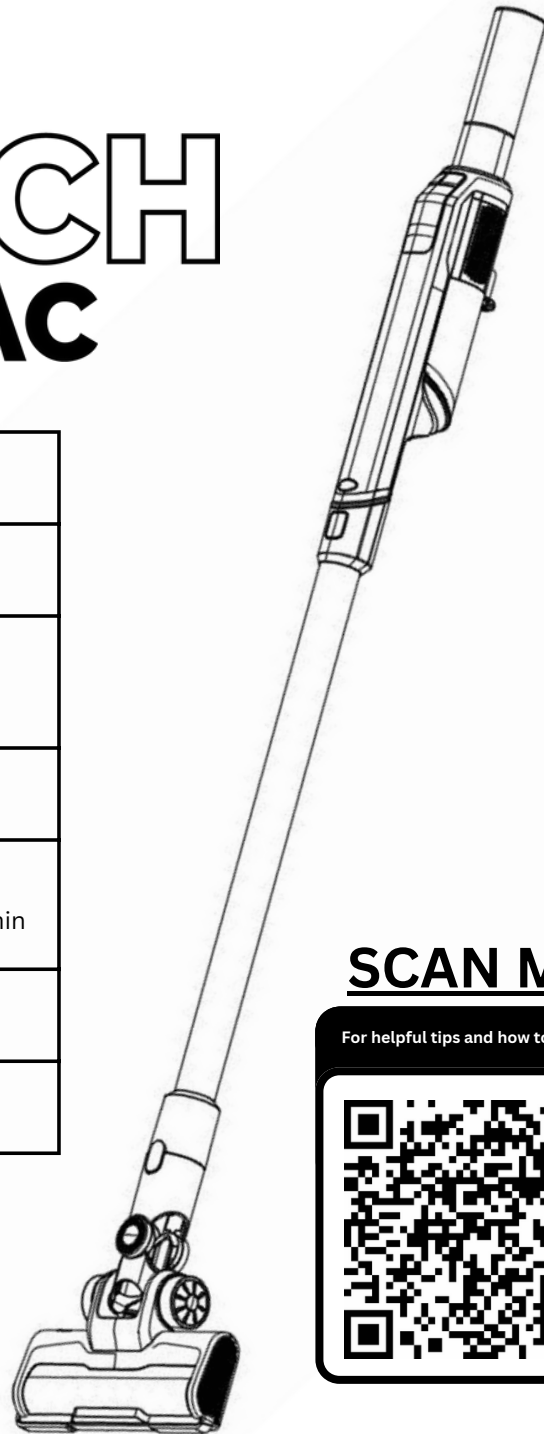




# TWINTECH POWER VAC

<b>Rated Voltage</b>	22.6V/2200m Ah
<b>Charging Time</b>	Up to 4 hours
<b>Battery Charger Output</b>	100-240V 50/60Hz
<b>Net weight</b>	0.89kg
<b>Usage Time</b>	<ul style="list-style-type: none"><li>• Eco Mode: 40 - 45 min</li><li>• Turbo Mode: Up to 12 min</li></ul>
<b>Power</b>	250w
<b>Model Number</b>	KTTDUALVAC-02



**SCAN ME**

For helpful tips and how to videos



# USER MANUAL

Please read this **User Guide** carefully before use  
& keep it handy for future reference.

# SAFETY WARNINGS



Read the operating instructions carefully and especially observe the safety information. If you do not follow the safety instructions and information on proper handling in this manual, we assume no liability for any resulting personal injury or damage to property. Such cases will invalidate the warranty/guarantee.

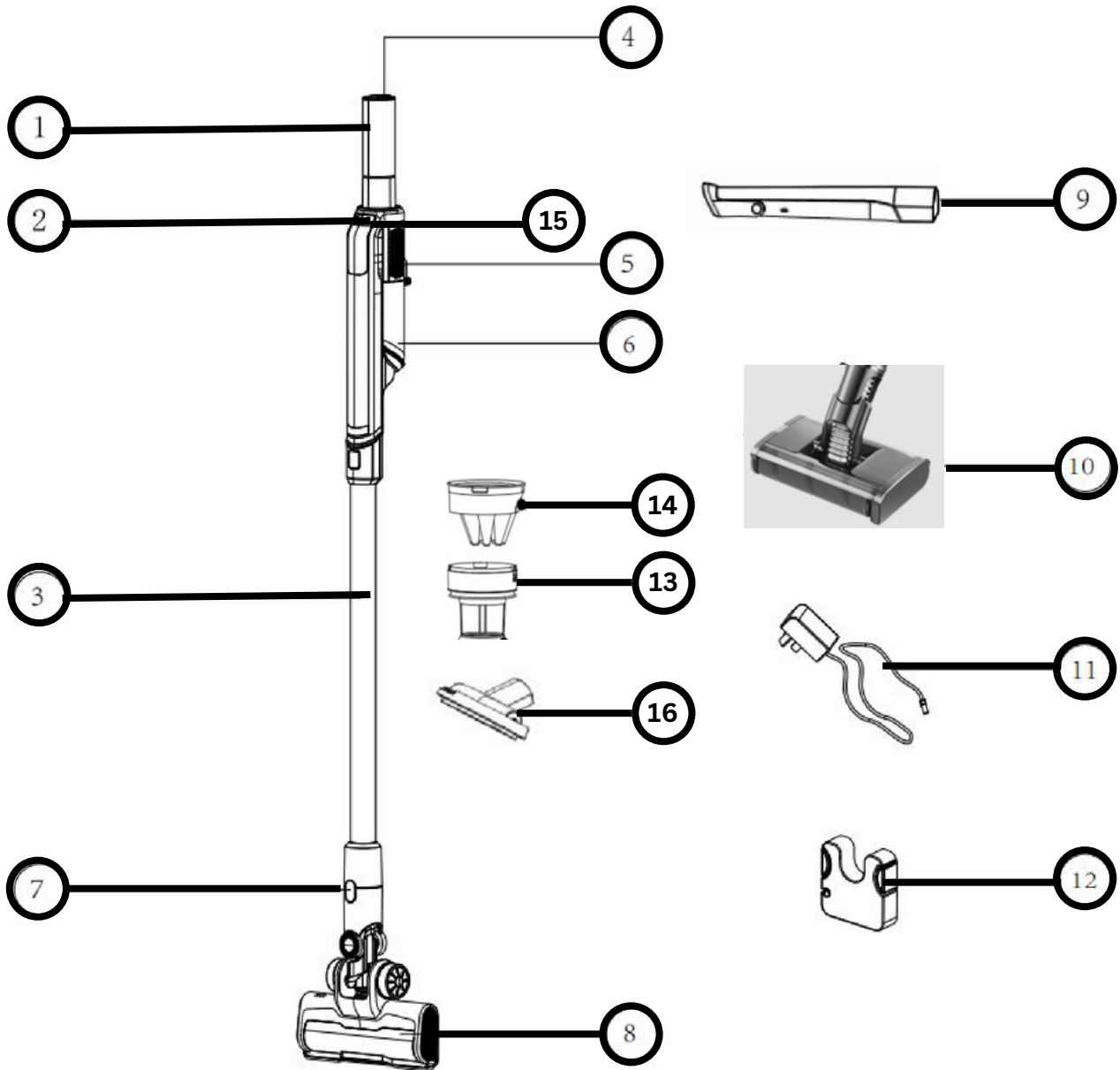
## IMPORTANT GENERAL USE:

- This appliance is not intended for use by persons (including children) with reduced physical, sensory or mental capabilities, or lack of experience and knowledge, unless they have been given supervision or instruction concerning use of the appliance by a person responsible for their safety.
- Children should be supervised to ensure that they do not play with the appliance.

### a) General use:

- Don't handle the charger plug or use the vacuum cleaner with wet hands.
- Don't vacuum up sewage, hot coals, cigarette butts, matches or smoking hot burning items.
- Don't vacuum up cement, gypsum powder; wall powder; construction waste and other small particles, or toys, paper mass and other large objects, otherwise it will cause blockage, motor burn out and other faults.
- Don't run over the charger cord or use the vacuum cleaner if the charger cord or plug is damaged.
- Keep away and protect the unit and charger from heated surfaces or near open flames.
- Make sure the filters and all head attachments are fitted correctly before using your vacuum cleaner.
- Make sure the battery is fully charged for the 1st time before using. Ensure that you are charging and discharging the vacuum cleaner every 3 months if it is not being use for a long period, to help maintain battery quality.
- When charging, use only the power adapter provided by the manufacturer, otherwise damage to the device may occur.
- Use only the power adapter provided at the time with the KRAPOF® TwinTech Power Vac.

# PARTS/FEATURES



- 1. Handle
- 2. Speed Button
- 3. Chrome Pole
- 4. Charging Port
- 5. Air Vent
- 6. Dust Cup
- 7. Brush Release Button
- 8. LED Mighty Power Brush
- 9. 2 in 1 Multi-use Crevice Tool

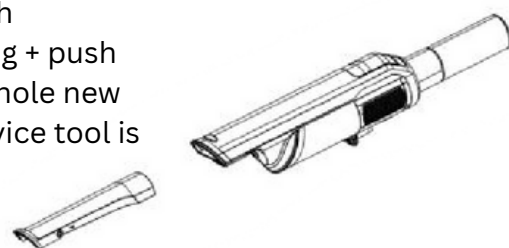
- 10. TwinTech Turbo Brush
- 11. Power Cord
- 12. Wall Mount
- 13. Stainless-steel mesh filter
- 14. Hepa Filter
- 15. Power Button
- 16. T Brush Bristle Tool

# 1. Accessory Instructions/Assembly

## 1.1 2 in 1 Multi use Crevice Tool & T Brush Bristle Tool

### 2 in 1 Multi-use Crevice Tool:

The narrow design allows you to clean those tight spaces with precision and speed making it perfect for short reach cleaning + push down on the built-in brush attachment to transform into a whole new attachment to clean softer surfaces. The 2 in 1 multi-use crevice tool is suitable to clean those hard reach areas.



### T-Brush Bristle Tool:

Designed with bristles to penetrate deeper into carpet fibres to loosen and remove fur, hair, debris from carpet and other surfaces. Slide the t-brush bristle to the right to remove the bristles.

**How to attach:** Simply grab your chosen head attachment and insert into the suction neck of KRAPOF® TwinTech Power Vac, you will then hear it click into place indicating it is now locked. To use the brush attachment for the 2 in 1 multi use crevice tool, push down on the brush head and push into place.



## 1.2 LED Mighty Power Brush, TwinTech Turbo Brush & Chrome Pole:

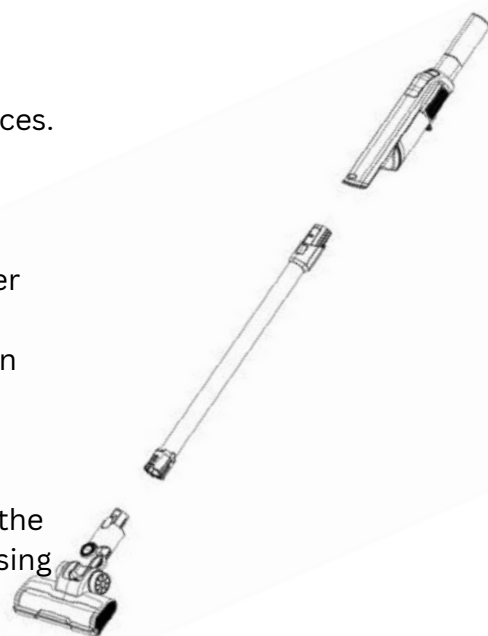
### LED Mighty Power Brush:

Designed with bristles to penetrate deeper into carpet fibres to loosen and remove fur, hair, debris from carpet and other surfaces.

### Twin Tech Turbo Brush:

Designed with dual brush heads, they work together to lift and remove dirt and debris in more stubborn areas in a much quicker and sufficient time. The TwinTech turbo brush can cover larger surface areas ensuring a thorough clean in just a single pass. Can be used on carpets, hardwood floors and tile.

**How to attach:** Attach your chosen head into the chrome pole, pressing it in until it clicks securely into place. Insert the top of the tube into the main body of KRAPOF® TwinTech Power Vac, pressing it in until it clicks securely into place.



# 2. Product Operation



**WARNING: KEEP AWAY FROM CHILDREN**  
**WARNING: KEEP AWAY FROM ANY LIQUIDS OR SUNLIGHT**

## 2.1 Suction Power Modes:

Once you have assembled your KRAPOF® TwinTech Power Vac with your chosen head attachment, press the power button once and select your chosen cleaning mode.

When in use, simply press the speed button (fan symbol) for different levels of suction. The LED screen will display different power levels which indicate the below function is in use:

- **Click once** for eco low modes (Green light indication)
- **Click twice** for standard mode (Blue light indication)
- **Click three times** for high-speed mode (Orange light indication)
- **Click four times** for turbo mode (Red light indication)

Depending on which mode you are functioning on the battery can last up to 45 minutes when using low eco mode and up to 12 minutes when on turbo mode. When there is only enough power left to use the KRAPOF® TwinTech Power Vac for approximately 1 minute, the power indicator digits start flashing until the machine stops working.



## 2.2 Charging Function:

Important: Before first use, the lithium-ion battery must be fully charged to operate in its normal condition, even if it carries a partial charge. It takes up to 4 hours to fully charge the battery.

1. Insert the charging cord into the charging port located on the top of the handle.
2. Insert the Power Adapter into a wall socket and switch the socket to ON. **WARNING: KEEP AWAY FROM LIQUIDS AT ALL TIMES.**
3. If the unit is at 0% it will take up to 4 hours to fully charge the KRAPOF® Twin Tech Power Stick to 100%. Whilst it is charging the led screen will display the current digits of charge by flashing. The LED screen will display 100% in bright white digits indicating it is now fully charged.

# 3. Cleaning and maintenance

## 3.1 LED Mighty Power Brush, Twin Tech Turbo Brush & Chrome Pole

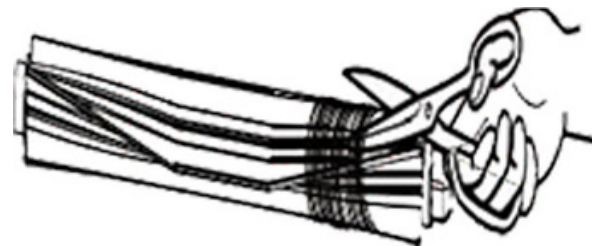
---

1. To remove the LED Mighty Power Brush and TwinTech Turbo Brush press on the gold brush release button located on the bottom of the chrome pole and pull the head attachment away from the unit.
2. To remove the chrome pole from the suction neck of the KRAPOF® TwinTech Power Vac press on the gold brush release button located on the top of the chrome pole and pull the away.

## 3.2 How to clean the roller brush head

---

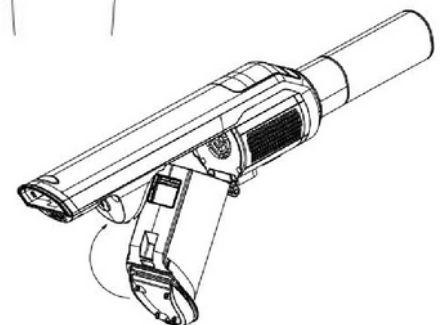
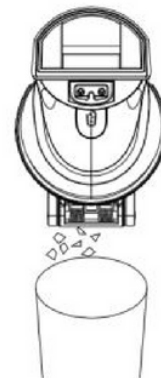
1. Remove the LED mighty power brush from the chrome pole and turn the head around with the flat side facing you. On the top right corner, push the black tab up and you will see the roller brush pop up.
2. Lift the roller brush out of the main body of the LED Mighty Power Brush and remove the hair and debris wrapped around the roller brush with scissors and gently clean the transparent brush window with a dry cloth.



## 3.3 How to empty the dust cup

---

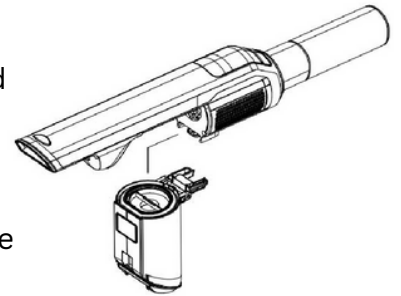
1. Located under the dust cup you will find a blue button. Simply place the dust cup vertically above the rubbish bin and press the blue dust cup empty button and the dust cup will pop open and pour out any dust and sucked up the mess.
2. Once the dust cup is empty push up and you will hear it click into place.



# 2. Product Operation

## 3.4 How to remove the Dust Cup

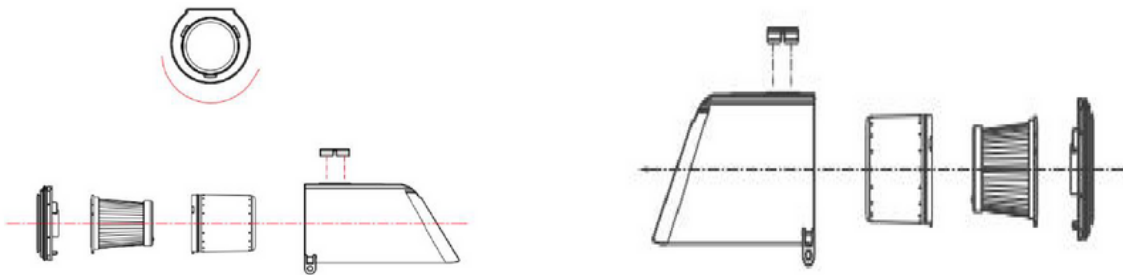
Note: Ensure that all attachments have been removed from the main body of the KRAPOF® TwinTech Power Vac and that the unit is powered OFF.



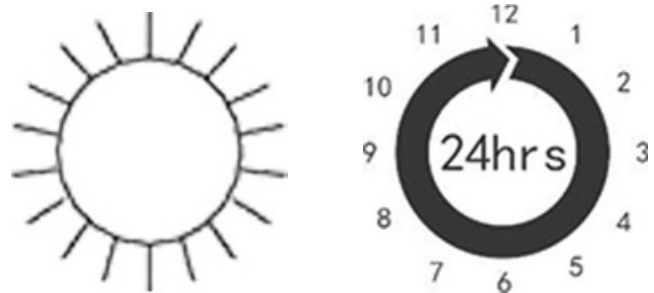
1. To locate the filters, you will need to remove the dust cup from the main body of the KRAPOF® TwinTech Power Vac. On the bottom surface of the dust cup, press the blue dust cup empty button to open the compartment and now push down on the dust cup release button located on the top of the dust cup and slide down to remove.

## 3.5 How to clean the Filters

1. Remove the filter from the dust cup by lifting it out. Now turn the filter around with the large lid facing the floor and twist the filter to the right until it has been unlocked from the filter lid. Now unlock the second smaller lid by twisting it the left and remove.
2. Gently pull down on the stainless-steel mesh filter and remove any excess dust and fibres with a cloth and gently rinse under cold water. Now repeat the same cleaning process for the white HEPA Filter.



3. After cleaning, dry all parts in a ventilated area and ensure that all attachments are completely dry before reassembling the unit.



The HEPA Filter will need to be changed every 4-6 months depending how often it is used. It is recommended to clean the dust cup each time after use. When the filter accumulates too much dust, it can affect the performance of the vacuum suction making it weak. After long term use, the brush head may entangle some long flocs of hair and it is important to clean when necessary.

# 4. Troubleshooting:



**WARNING: KEEP AWAY FROM CHILDREN**  
**WARNING: KEEP AWAY FROM ANY LIQUIDS OR SUNLIGHT**

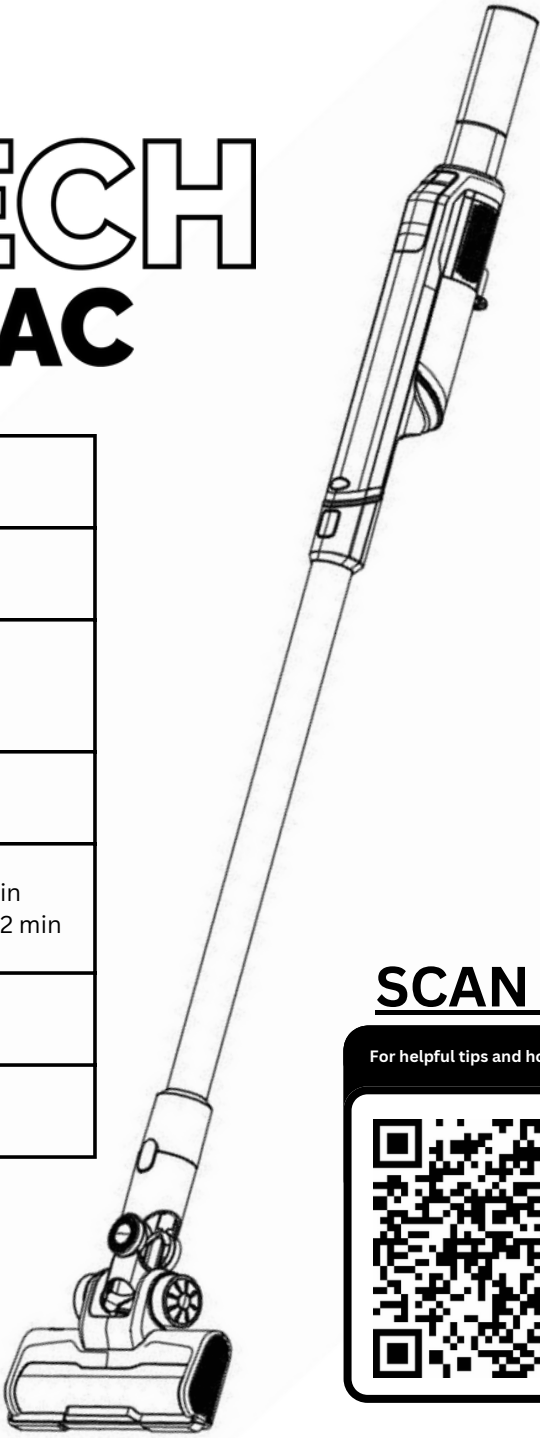
To reduce the risk of shock and unintended operation, turn the power of the unit to off.

<b>Problem</b>	<b>Possible Cause</b>	<b>Possible Solution</b>
<b>Vacuum not picking up debris</b>	<ol style="list-style-type: none"> <li>1. Dustbin is full</li> <li>2. Filters clogged or dirty</li> <li>3. Filters are out of service</li> </ol>	<ol style="list-style-type: none"> <li>1. Empty the dustbin</li> <li>2. Clean the filters</li> <li>3. Change the worn filters</li> </ol>
<b>Vacuum not picking up debris</b>	<ol style="list-style-type: none"> <li>1. Roller Brush clogged by hair or fibres</li> </ol>	<ol style="list-style-type: none"> <li>1. Clean the roller brush (view steps on pg 5 on how to clean)</li> </ol>
<b>Poor Suction</b>	<ol style="list-style-type: none"> <li>1. Dustbin not seated completely</li> <li>2. Filters clogged or dirty</li> <li>3. Dustbin not installed correctly</li> <li>4. Low battery</li> <li>5. Nozzle dirt passage is clogged</li> </ol>	<ol style="list-style-type: none"> <li>1. Reinstall the dustbin and ensure the lid is closed completely</li> <li>2. Clean the filters</li> <li>3. Reinstall the dustbin</li> <li>4. Fully charge the battery</li> <li>5. Disconnect nozzle to remove debris</li> </ol>
<b>Vacuum suddenly turns off on its own</b>	<ol style="list-style-type: none"> <li>1. Dustbin is full</li> <li>2. Filters clogged or dirty</li> <li>3. Vacuum overheat</li> </ol>	<ol style="list-style-type: none"> <li>1. Empty the dustbin</li> <li>2. Clean the filters</li> <li>3. Let the vacuum cooldown and retry</li> </ol>
<b>Vacuum won't turn ON/OFF</b>	<ol style="list-style-type: none"> <li>1. Low battery</li> <li>2. Vacuum overheat</li> </ol>	<ol style="list-style-type: none"> <li>1. Fully charge the battery</li> <li>2. Let vacuum cooldown and retry</li> </ol>
<b>Short running time</b>	<ol style="list-style-type: none"> <li>1. Low power</li> <li>2. Filters clogged or dirty</li> </ol>	<ol style="list-style-type: none"> <li>1. Fully charge the battery (view charging steps on pg 4)</li> <li>2. Filters clogged or dirty</li> </ol>





# TWINTECH POWER VAC



<b>Rated Voltage</b>	22.6V/2200m Ah
<b>Charging Time</b>	Up to 4 hours
<b>Battery Charger Output</b>	100-240V 50/60Hz
<b>Net weight</b>	0.89kg
<b>Usage Time</b>	<ul style="list-style-type: none"><li>• Eco Mode: 40 - 45 min</li><li>• Turbo Mode: Up to 12 min</li></ul>
<b>Power</b>	250w
<b>Model Number</b>	KTTDUALVAC-02

## SCAN ME

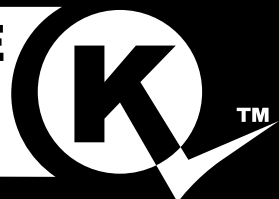
For helpful tips and how to videos



## KLEVA RANGE®

🌐 [www.klevarange.com.au](http://www.klevarange.com.au)  
☎ 02 9387 4100  
✉ [enquiries@klevarange.com.au](mailto:enquiries@klevarange.com.au)  
📍 Suite 301 / 209 Oxford St  
Bondi Junction NSW 2022 Australia

**GENUINE  
KLEVA  
QUALITY**



KleVA® is a registered trade mark  
of Take Two Marketing and Events Pty Ltd.