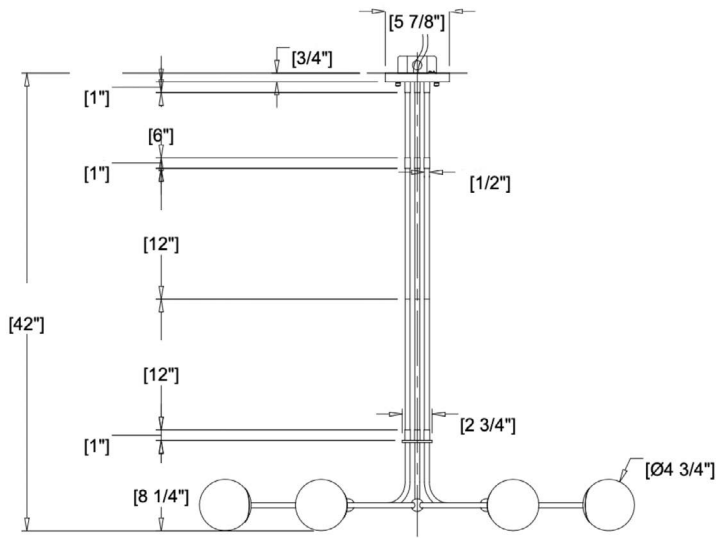
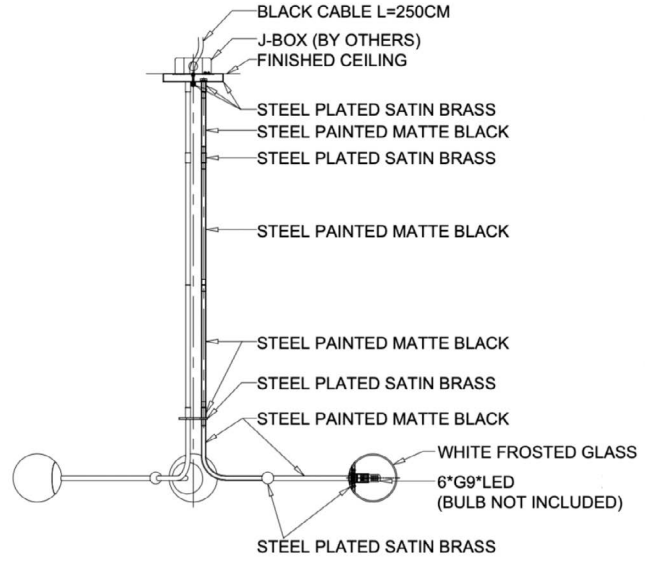




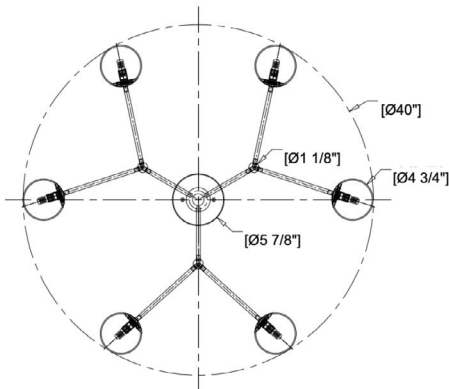
FRONT



BOTTOM



CLOSE-UP



DESCRIPTION

Strong matte black frame with satin brass accents exudes a classic style while the curving arms and opal matte white glass shades adding versatility that can blend in any space, making it the perfect choice for transitional lighting design.

MATERIALS

Steel, Glass

MOUNTING

Single Gang J-BOX

WEIGHT

Allow for 20 LBS

CERTIFICATIONS

UL Certified

