



Valen CHANDELIER

INSTALLATION GUIDE



WEARING GLOVES
IS RECOMMENDED

DANGER: ELECTRIC SHOCK RISK. FOR YOUR SAFETY,
TURN OFF ELECTRICAL POWER BEFORE BEGINNING
INSTALLATION AND USE CAUTION WHEN INSTALLING.

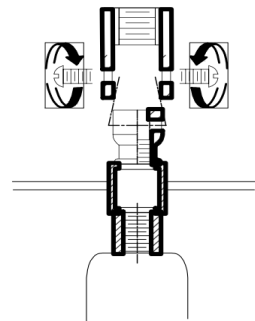
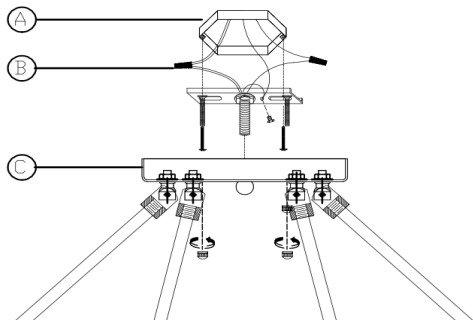
+1 888.399.9905

www.vault-light.com | sales@vault-light.com



1

CEILING



Two people are required for safe mounting of this luminaire.

Turn off the electricity supply at the main circuit panel before installing.

Do not connect the electricity supply until your luminaire is fully assembled and installed.

Remove all parts from the carton and connect the pipes (D) and (G) to the two rings (E) first. Connect the other end of the pipes to the ceiling canopy (B).

Fix the ceiling plate (A) to the ceiling by using mounting plugs and screws suitable to your ceiling type. Make sure to guide your wires through the middle of the plate.

Place or hold the lamp in an elevated position in such a way that the wires can freely reach the ceiling junction box. Connect the 3 power wires according to their colours. Brown is the live wire, blue is the neutral wire, green/yellow is the earth wire.

Place the ceiling canopy (B) flush against the ceiling and fix it securely with the 3 nuts supplied. Tighten the nuts with tools, not just by hand (C).

Place the bulbs and finally unpack the glass decorations (F) and place them into the frame.

