



Trio PENDANT INSTALLATION GUIDE



WEARING GLOVES
IS RECOMMENDED

DANGER: ELECTRIC SHOCK RISK. FOR YOUR SAFETY,
TURN OFF ELECTRICAL POWER BEFORE BEGINNING
INSTALLATION AND USE CAUTION WHEN INSTALLING.

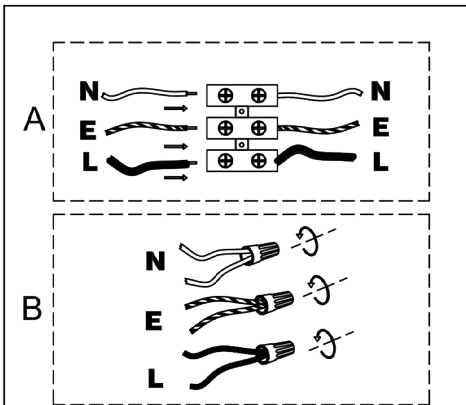
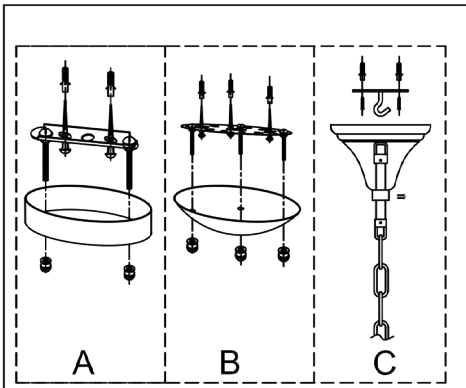
+1 888.399.9905

www.vault-light.com | sales@vault-light.com



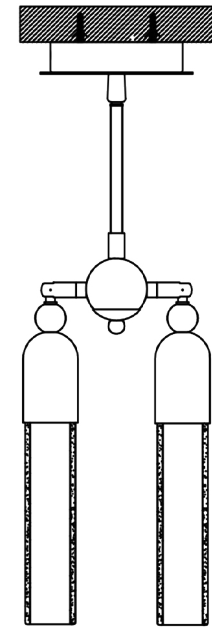
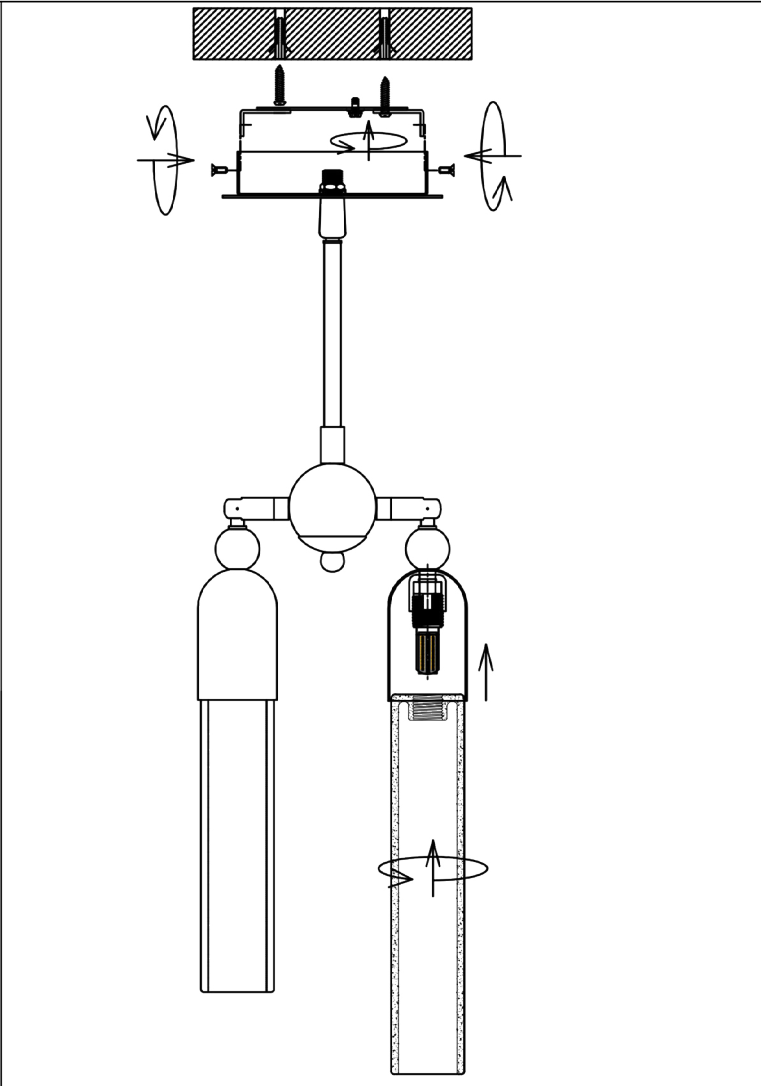
Installation

Model	Trio Modern Bronze Pendant Light	Light source	G9 LED LAMP MAX 5W
Size	D190*H1430mm	Area	



Installation

1. Assemble the lamp in order
2. Lock the wall panel on the installation area
3. Check whether the electric wire is in good condition and wire according to the sign
L: Anode ⊕: Ground electrode N: Cathode
4. Lock the lamp on the wall panel
5. Adjust the lamp and test



Attentions:

- 1: This light is only suitable for 110V-120V.
- 2: Please put gloves on while installation, avoiding any damages from the light and cables.
- 3: Do not install while the ceiling is wet and installation should be under a safety environment.
- 4: Please clean the light with dry cloth only, do not use water or other chemical liquid.
- 5: Installation should be done by certified engineer, and follow the installation instruction step by step.
- 6: Make sure power is off while cleaning the lamp.

Instruments:

