



Talin CHANDELIER  
INSTALLATION GUIDE



WEARING GLOVES  
IS RECOMMENDED

**DANGER:** ELECTRIC SHOCK RISK. FOR YOUR SAFETY,  
TURN OFF ELECTRICAL POWER BEFORE BEGINNING  
INSTALLATION AND USE CAUTION WHEN INSTALLING.

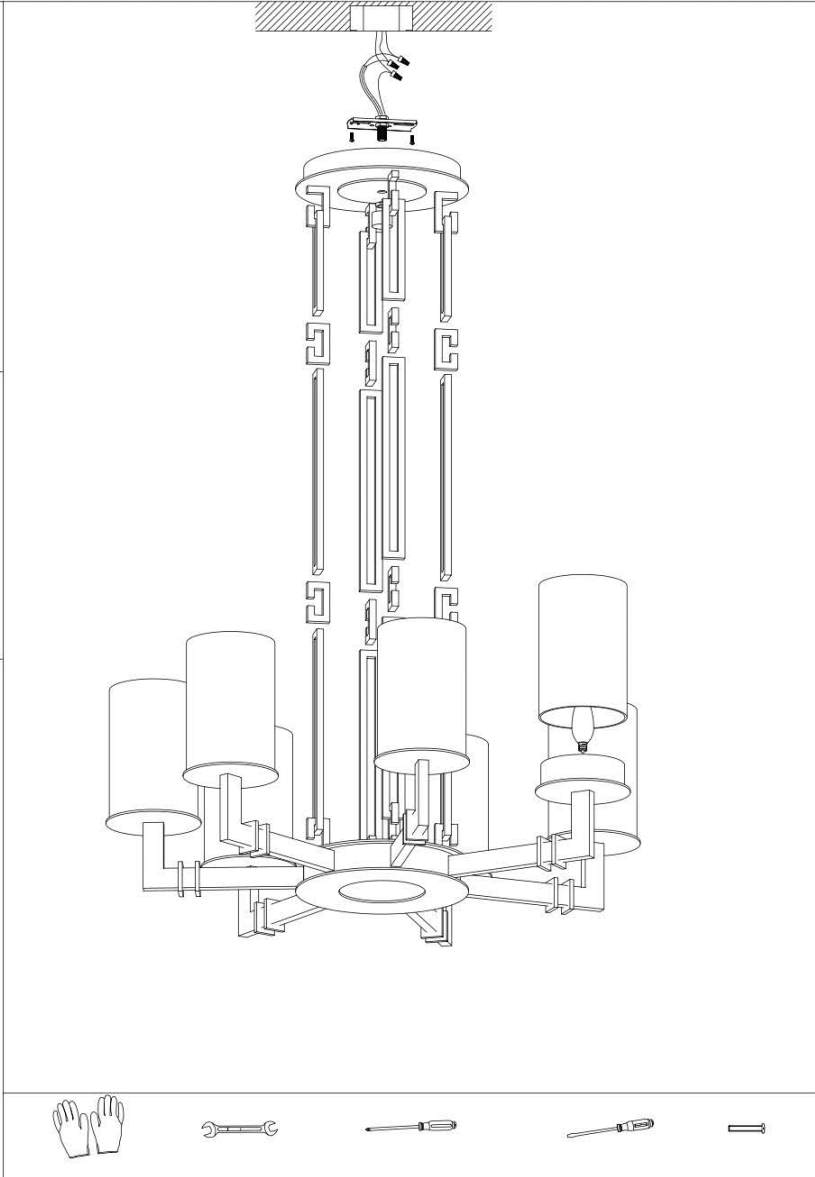
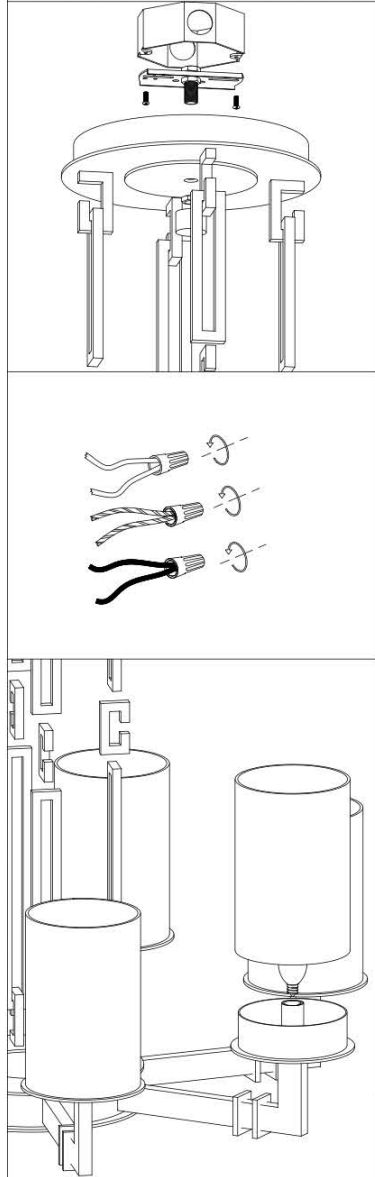
+1 888.399.9905


[www.vault-light.com](http://www.vault-light.com) | [sales@vault-light.com](mailto:sales@vault-light.com)



# Installation

Model	SKU TLNMB31	Light source	E12*7pcs
Size	Ø812*H953	Area	




**WARNING**

Procedures for assembling lamp body:

- 1 Lock mounting plate on wire box with screws.
- 2 Wires through the canopy, connect the square tube frame with square buckles up and down (first fasten the square buckles on the power wire and the opposite group of power wire, then fasten the other two sets of square buckles after connecting the wires).
- 3 Connect electric wire.
- 4 Press canopy on the roof tightly, then lock it with hexagon nut and cover nut with flat part.
- 5 Take lamp shade on the arm of lamp in sequence.
- 6 Screw bulb on lamp socket.