



## Simone PENDANT INSTALLATION GUIDE



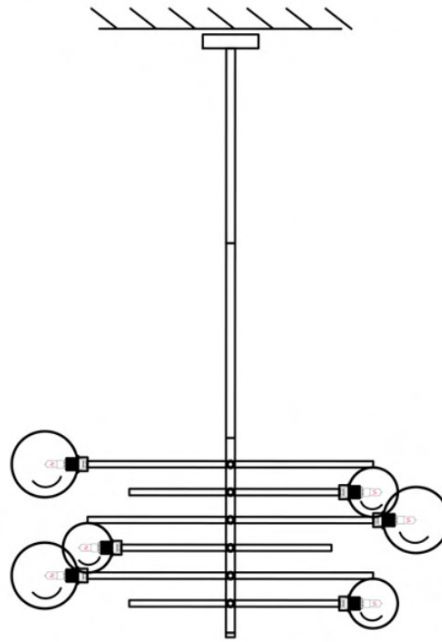
WEARING GLOVES  
IS RECOMMENDED

**DANGER:** ELECTRIC SHOCK RISK. FOR YOUR SAFETY,  
TURN OFF ELECTRICAL POWER BEFORE BEGINNING  
INSTALLATION AND USE CAUTION WHEN INSTALLING.

+1 888.399.9905

[www.vault-light.com](http://www.vault-light.com) | [sales@vault-light.com](mailto:sales@vault-light.com)





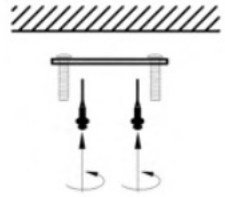
### Note

- 1、 All electrical connect must be in accordance with local codes, ordinances, and the National Electrical Code. If you are unfamiliar With methods of installing electrical wiring, cunsult to ensure correct branch circuit conductor a qualified licensed electrician.
- 2、 You must Wear gloves when install the lamps, avoid rowing wound lamp surface and electric wirc.
- 3、 Don't install the lamps on wet ceiling, The environment should be well ventilated, dry. Cannot use water to clean, can wipe whith the clean and soft cloth.
- 4、 Lamp cannot near sour, alkali, and contain the causticity chemistry material with the air.
- 5、 Install, sweep the lamp and replace the lamp, should turn off the power supply.

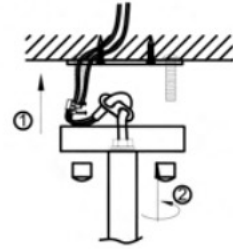
### Installation steps

- 1、 Hook the screw nut collar coop at iron piping, Hang the canopy on Ceiling, Use the screw collar tighter up the canopy.
- 2、 Assemble the lamp accessories good one by one by one in order .
- 3、 Pass to connect the socket line the line carry the son connects the line outside the inside.
- 4、 Press lamp bulb on the socket, then with the bead diagram to hang the crystal well.

Step 1



Step 2



Step 3

