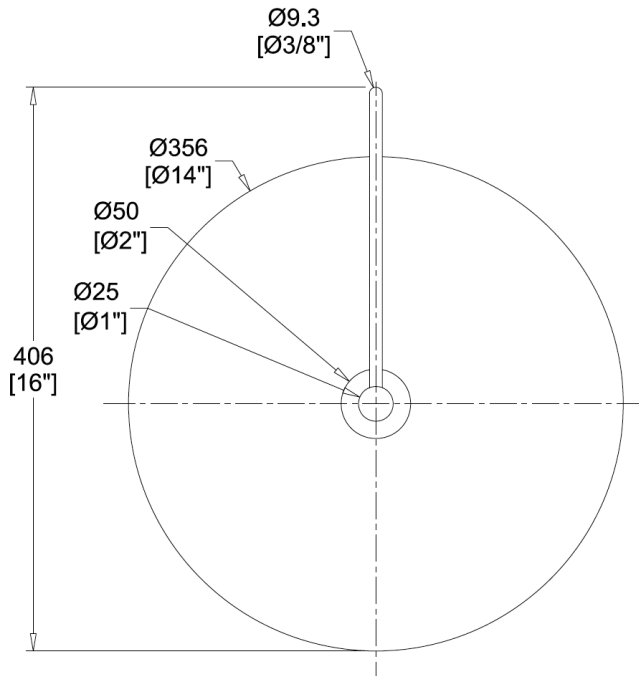
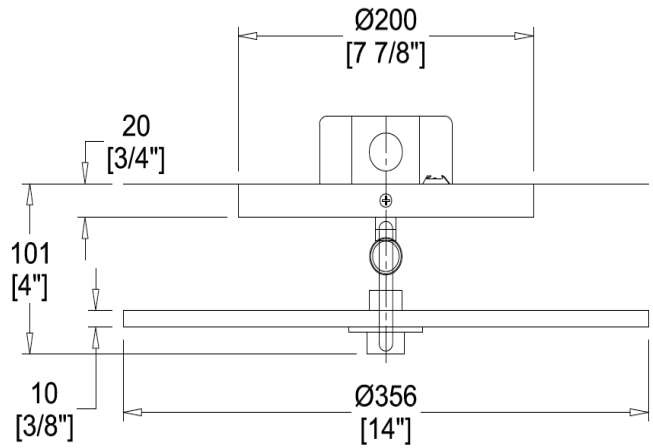




FRONT



SIDE



## DESCRIPTION

This wall sconce's unique veining creates a rich and uplifting environment while adding natural elements to its chosen space. Its matte black finished metal frame and round alabaster shade provides luxury lighting and adds a unique balance of refined, raw, and modern design. Because of Rylan's nature in design, no two Rylan wall sconces are alike.

## MATERIALS

Steel, Natural Alabaster

## MOUNTING

Single Gang J-BOX

## WEIGHT

Allow for 15 LBS

## CERTIFICATIONS

UL Certified

