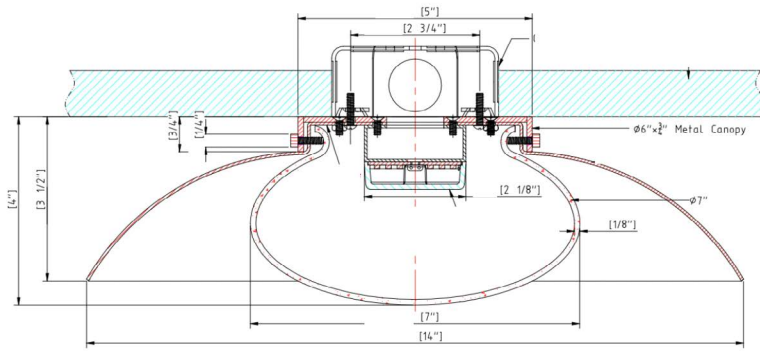
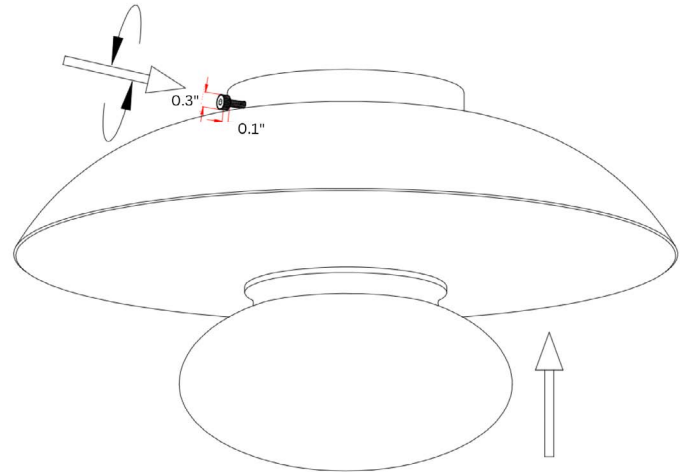
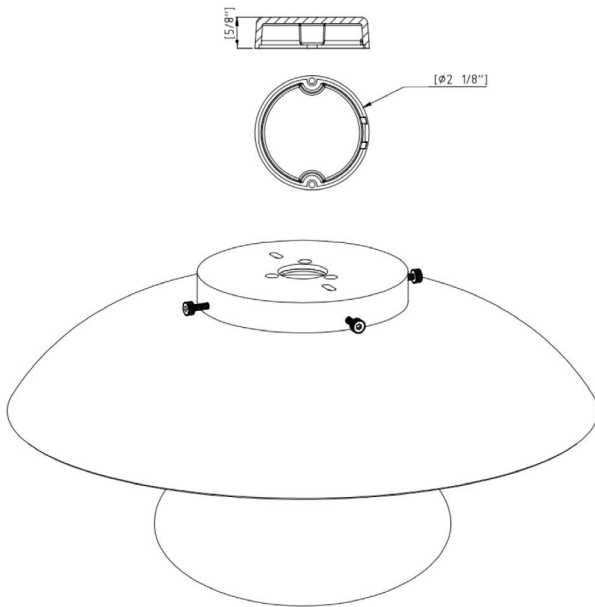
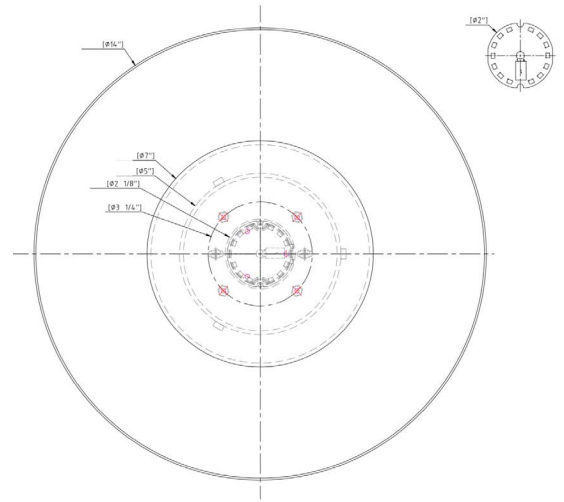




FRONT



BOTTOM



DESCRIPTION

The Puma is effortlessly modern and classic. With its concave metal shade in a two tone black and satin brass finish and blown opal glass shade, this light fixture adds dimension to any space.

MATERIALS

Steel

CERTIFICATIONS

UL Certified

MOUNTING

Single Gang J-BOX



WEIGHT

Allow for 5 LBS