



Odin WALL SCONCE  
INSTALLATION GUIDE



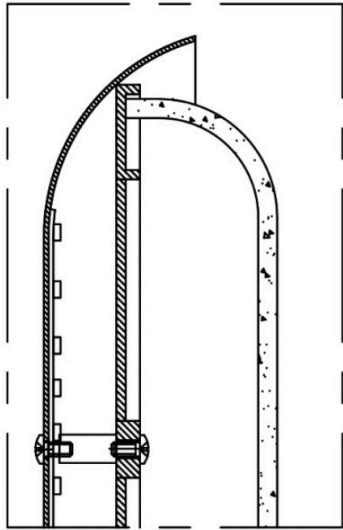
WEARING GLOVES  
IS RECOMMENDED

**DANGER:** ELECTRIC SHOCK RISK. FOR YOUR SAFETY,  
TURN OFF ELECTRICAL POWER BEFORE BEGINNING  
INSTALLATION AND USE CAUTION WHEN INSTALLING.

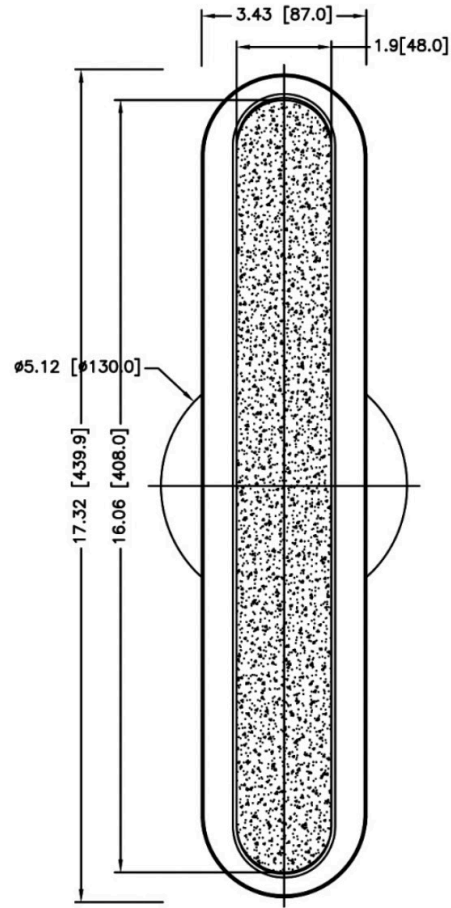
+1 888.399.9905

[www.vault-light.com](http://www.vault-light.com) | [sales@vault-light.com](mailto:sales@vault-light.com)

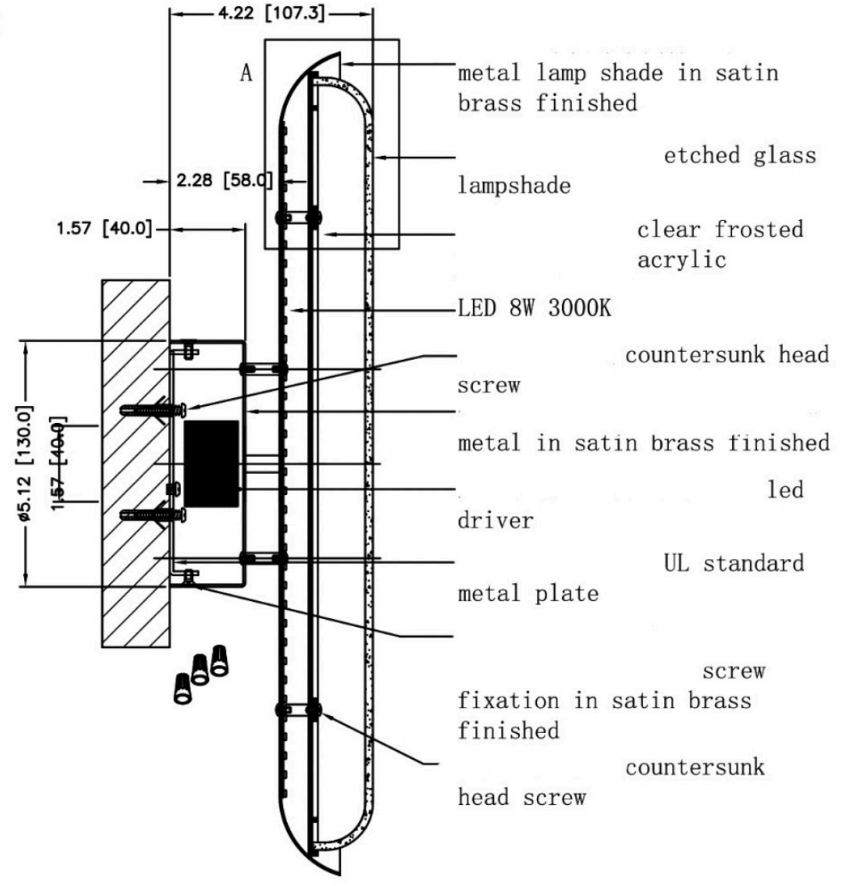




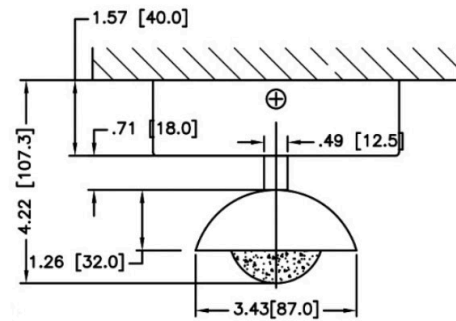
A part enlarged drawing



Front View



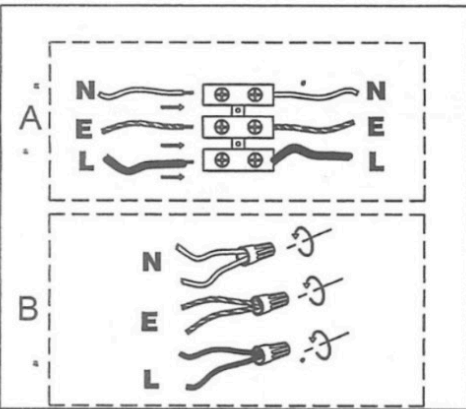
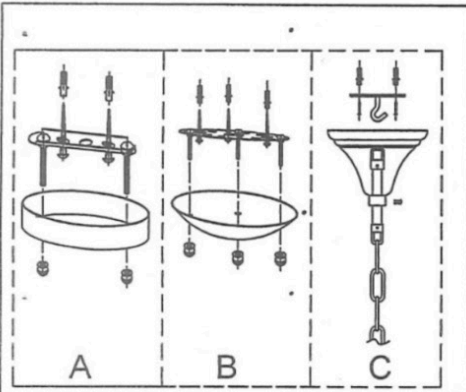
Side View



Vertical View

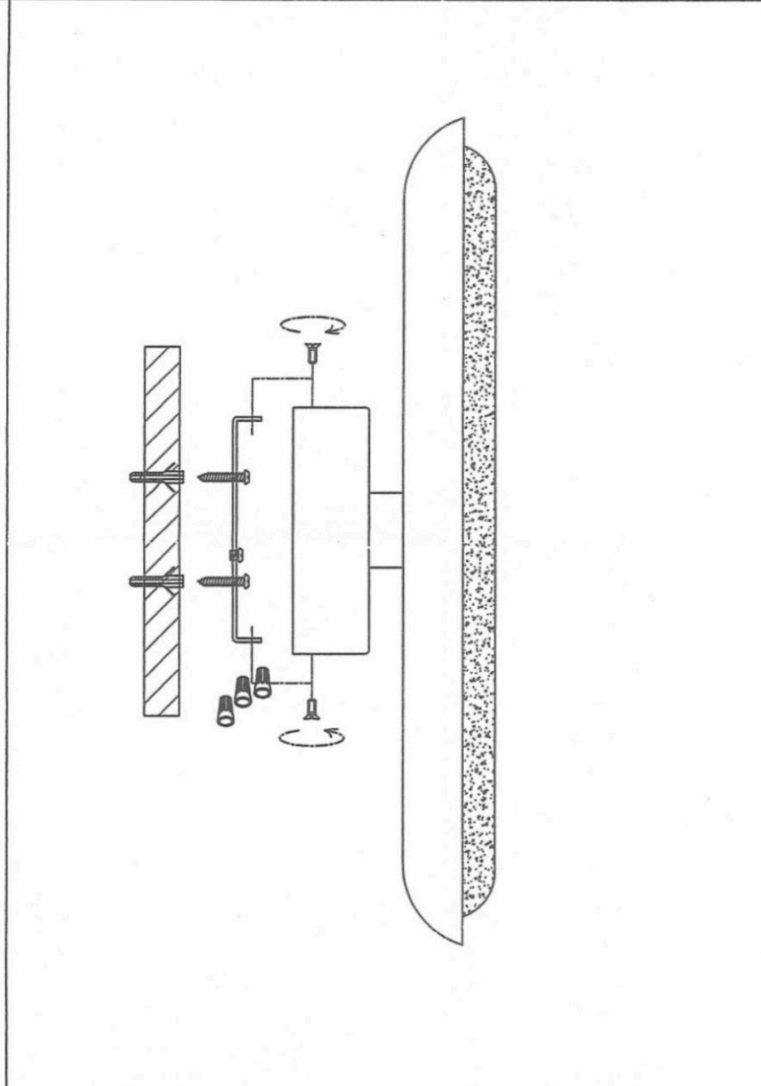
# Installation

Model	MB180991202	Light source	LED 3000K 8W
Size	130*107.3*H440	Area	

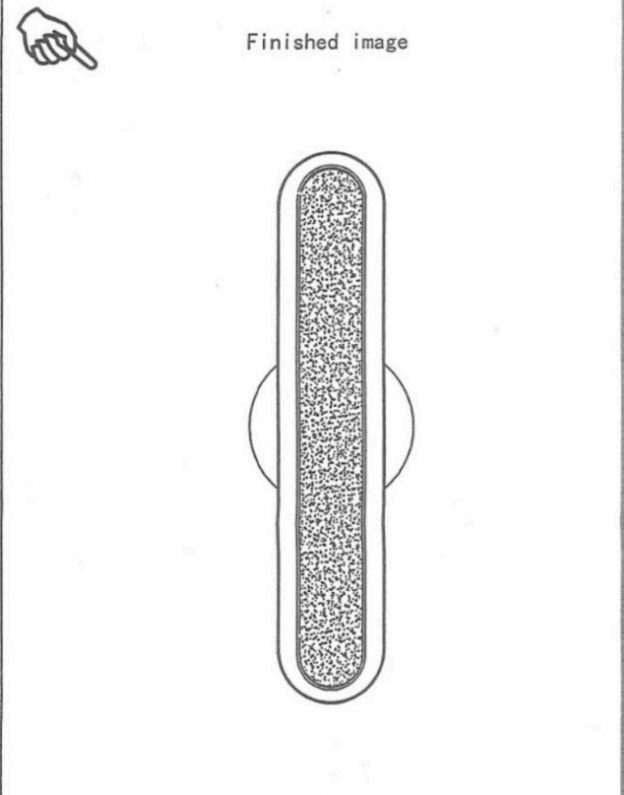


**Installation**

1. Assemble the lamp in order
2. Lock the wall panel on the installation area
3. Check whether the electric wire is in good condition and wire according to the sign  
L: Anode ⊕: Ground electrode N: Cathode
4. Lock the lamp on the wall panel
5. Adjust the lamp and test



- Instruments:**
- Gloves
  - Spanner
  - Screw driver
  - screw-driver with voltagetester
  - Screw
  - Cable cap



**WARNING**

**Attentions:**

- 1: This light are only suitable for 110V-120V.
- 2: Please put gloves on while installation, avoiding any damages from the light and cables.
- 3: Do not install while the ceiling is wet and installation should under a safety environment.
- 4: Please clean the light with dry cloth only, do not use water or other chemical liquid
- 5: Installation should be done by certified engineer, and follow the installation instruction step by step.
- 6: Make sure power is off while cleaning the lamp.