



Maison CAHNDELIER

INSTALLATION GUIDE



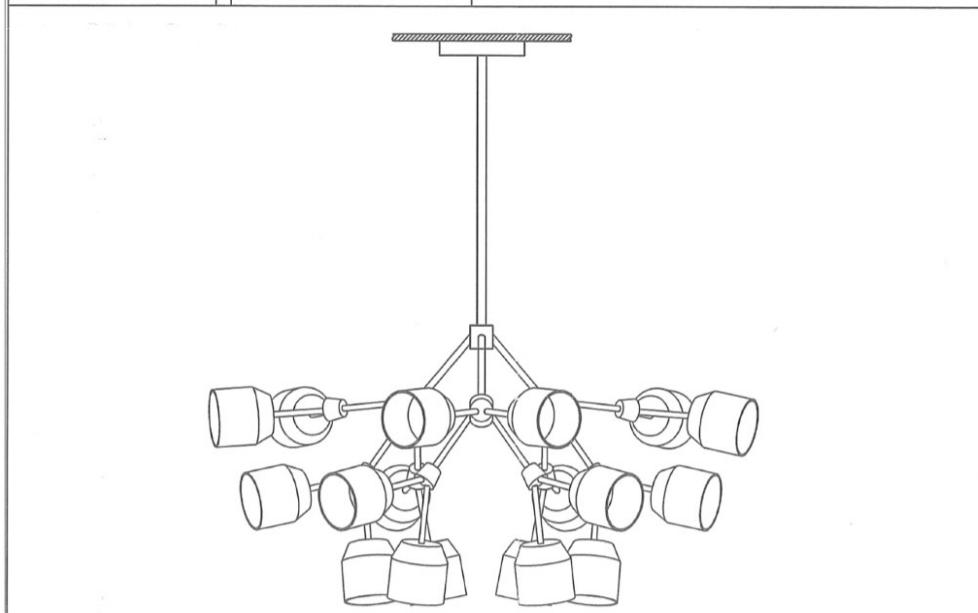
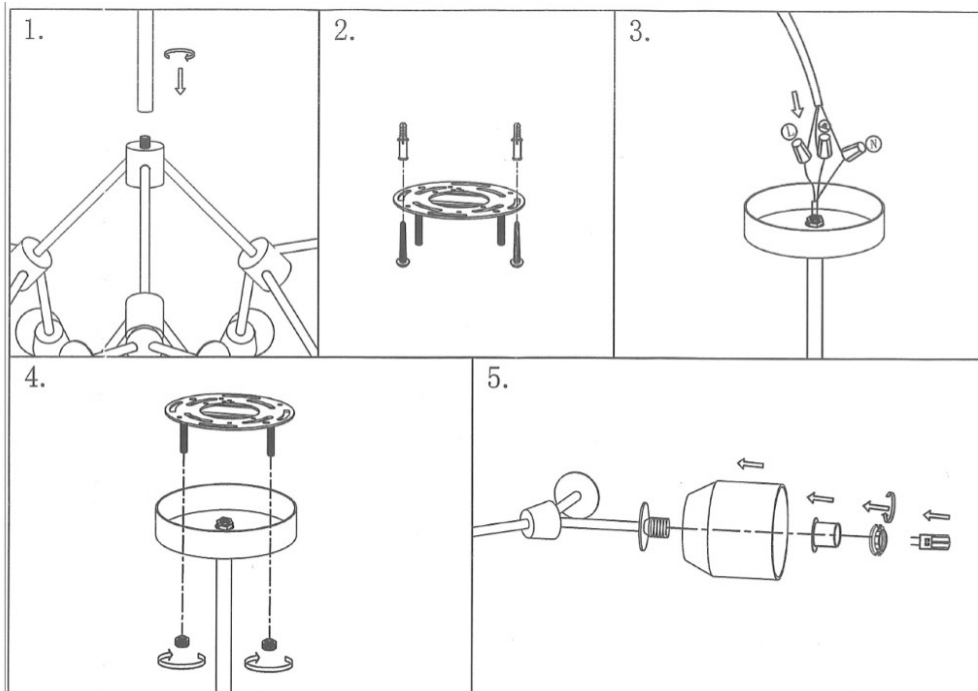
WEARING GLOVES
IS RECOMMENDED

DANGER: ELECTRIC SHOCK RISK. FOR YOUR SAFETY,
TURN OFF ELECTRICAL POWER BEFORE BEGINNING
INSTALLATION AND USE CAUTION WHEN INSTALLING.

+1 888.399.9905

www.vault-light.com | sales@vault-light.com





1. This light fitting operates at a normal supply voltage of 110V
 2. When changing the bulb or fuses, always switch off at the mains and allow the old bulb to cool down before handling.