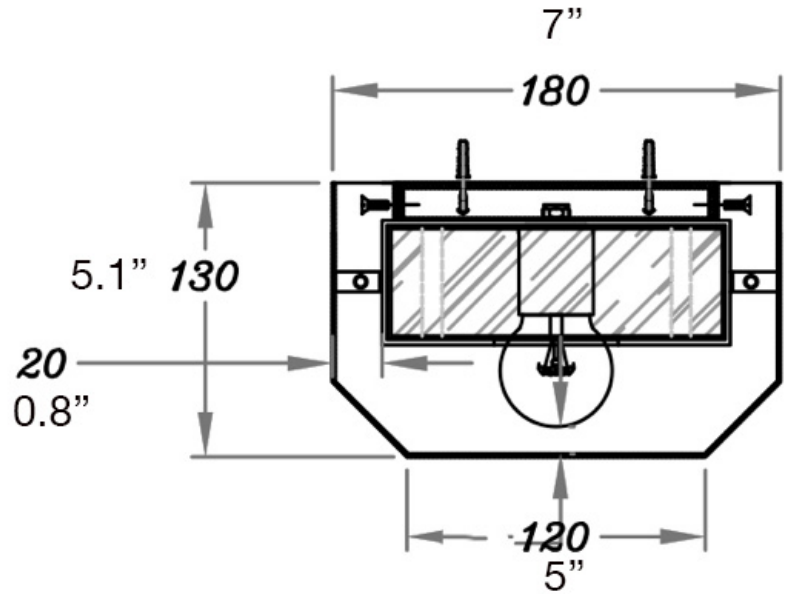
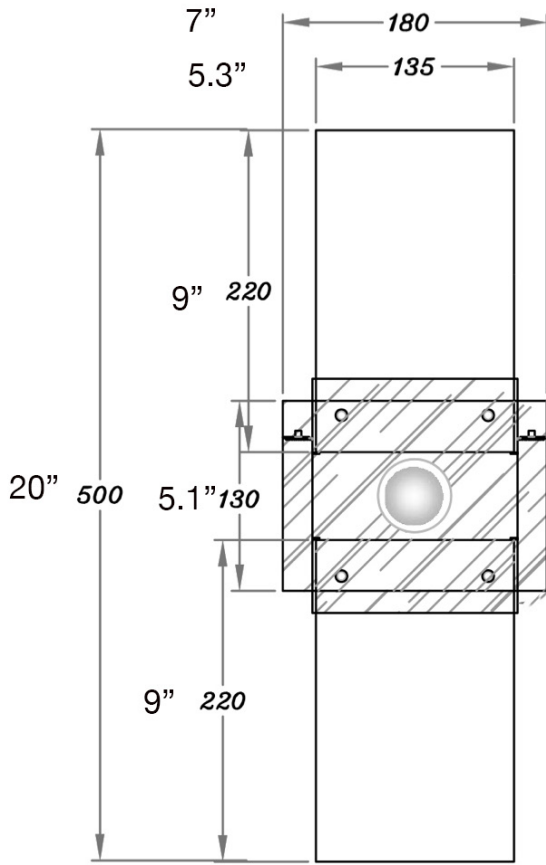




FRONT

TOP



DESCRIPTION

A luxurious polished chrome wall sconce ready to captivate the room. The simple silhouette of the Montreal Sconce is made new by a shining array of light bursting out from its center.

MATERIALS

Steel, Glass

MOUNTING

Single Gang J-BOX

WEIGHT

Allow for 20 LBS

CERTIFICATIONS

UL Certified

