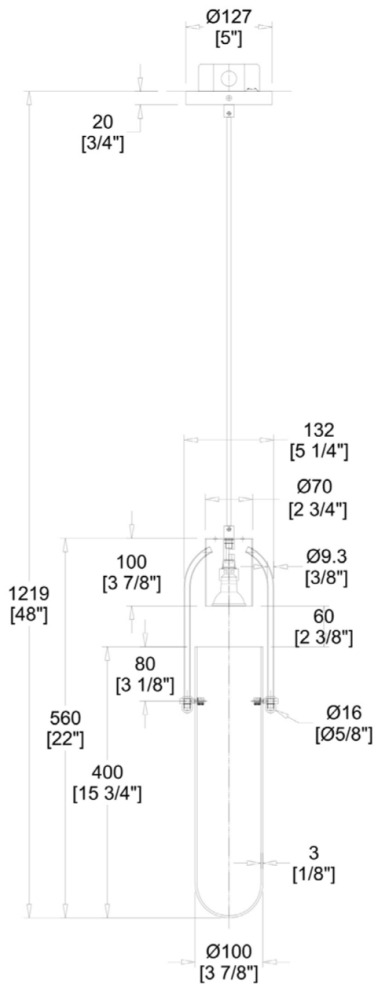
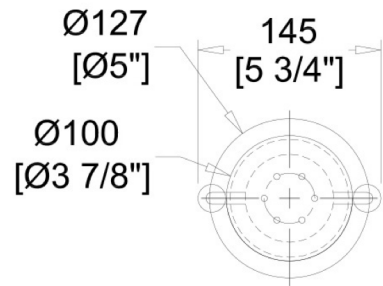
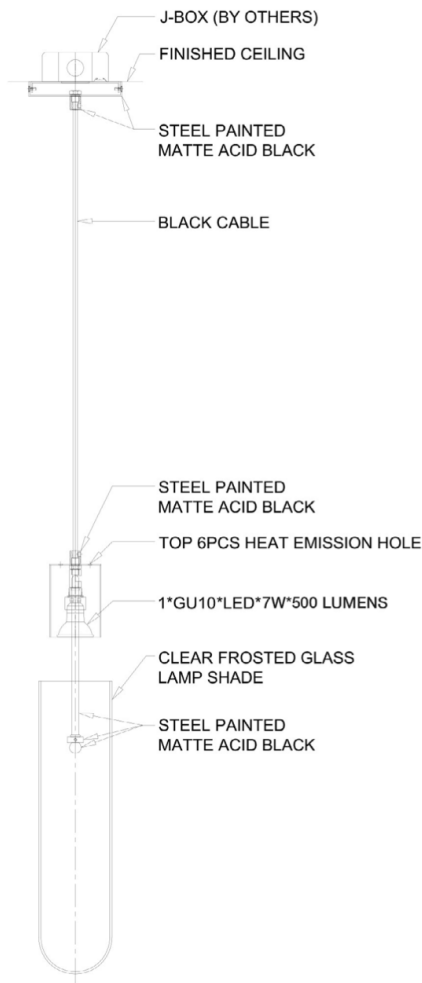




FRONT



CLOSEUP



DESCRIPTION

The Knox Pendant features a beautiful architectural design. This modern pendant elegantly carries a frosted glass shade with its slim profile and minimalist frame. The matte black finish on this modern light fixture offers a stark contrast.

MATERIALS

Steel, Glass

MOUNTING

Single Gang J-BOX

WEIGHT

Allow for 10 LBS

CERTIFICATIONS

UL Certified

