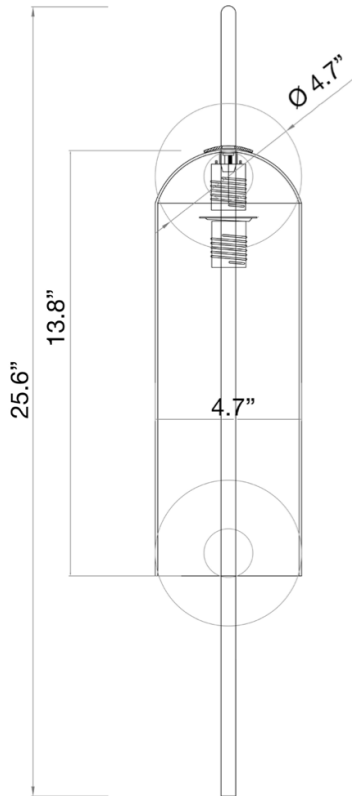
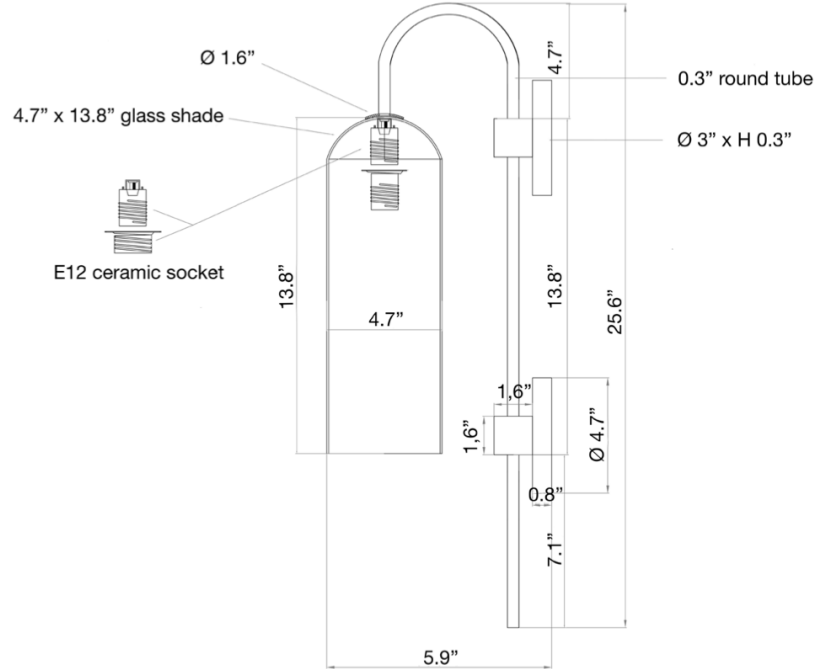




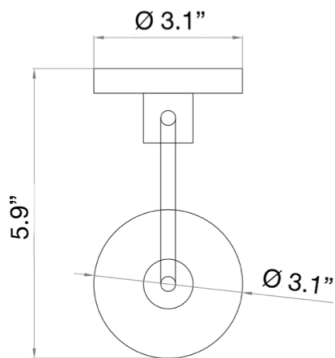
## FRONT



## SIDE



## TOP



## DESCRIPTION

Taking its cue from a more classic perspective, Kai wall sconces combine brass with frosted opal glass in a sophisticated and modern way. The results are a glass and brass wall sconce that offers a sleek balance of tones, creating a peaceful yet striking luxury lighting ambiance perfect for lounging areas, bedroom lights or corridor spaces.

## MATERIALS

Glass, Brass

## MOUNTING

Single Gang J-BOX

## WEIGHT

Allow for 5 LBS

## CERTIFICATIONS

UL Certified

