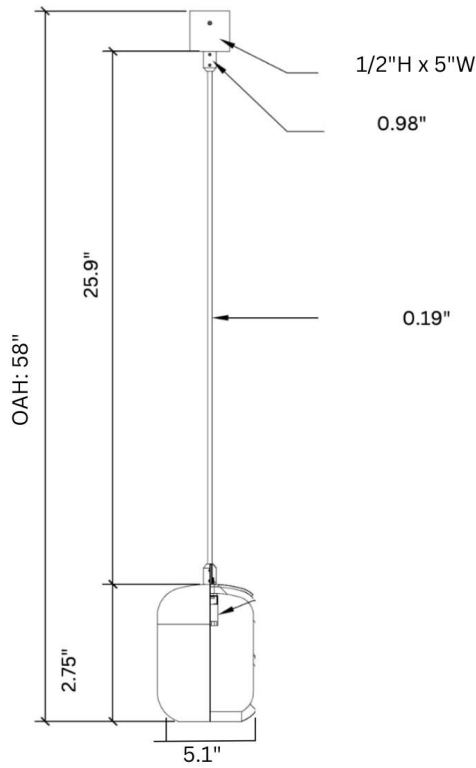




FRONT



DESCRIPTION

Jeremy's alabaster shade and soft lighting creates a rich and elegant ambiance. Jeremy Alabaster pendant lighting color and veining will vary on each piece due to the natural material. No two Jeremy pendants are alike.

MATERIALS

Steel, Natural Alabaster Stone

MOUNTING

Single Gang J-BOX

WEIGHT

Allow for 5 LBS

CERTIFICATIONS

UL Certified

