



Jazz CHANDELIER
INSTALLATION GUIDE



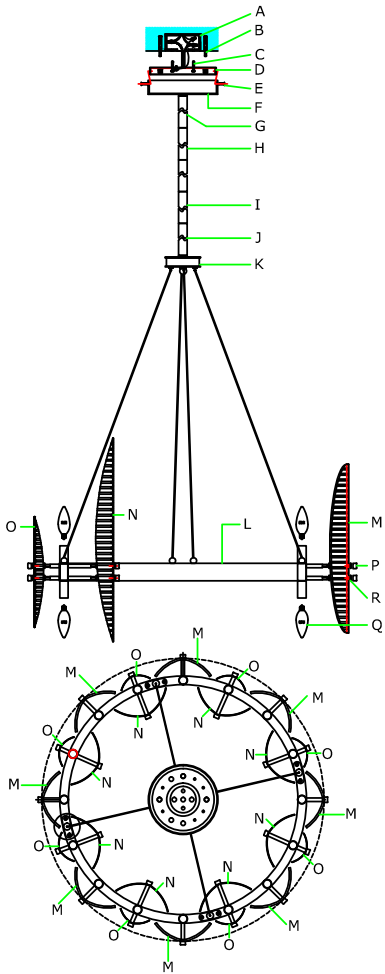
WEARING GLOVES
IS RECOMMENDED

DANGER: ELECTRIC SHOCK RISK. FOR YOUR SAFETY,
TURN OFF ELECTRICAL POWER BEFORE BEGINNING
INSTALLATION AND USE CAUTION WHEN INSTALLING.

+1 888.399.9905

www.vault-light.com | sales@vault-light.com





NOTE: Before starting installation of this Fixture or the removal of a previous Fixture, disconnect the power by turning off the circuit breaker or removing the fuse from the fuse box.

Installation steps:

STEP 1. Connect Canopy (F) and metal (K) with straight stem (G) (H) (I) (J).

STEP 2. Secure the mounting bar (D) to the outlet box (A) with expansion screw (B) and screw (C), tighten until snug. Conect power with correct Positive and negative cables.

STEP 3. Tighten the Canopy (F) onto the roof and fix it with screw (E).

STEP 4. Put the light bulb (Q) onto the socket.

STEP 5. Rotate out the Parts (P).

STEP 6. Fix glass (M) and metal (N & O) onto fixture frame(L), lock tightly with plastic washer (R) and screw (P).

Note: When locking glass and hardware onto fixture, please check the Connection schematic diagram.