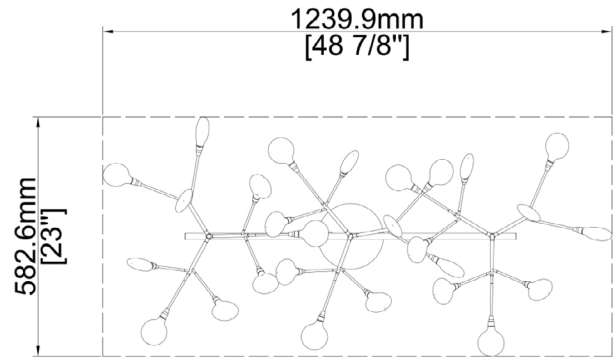
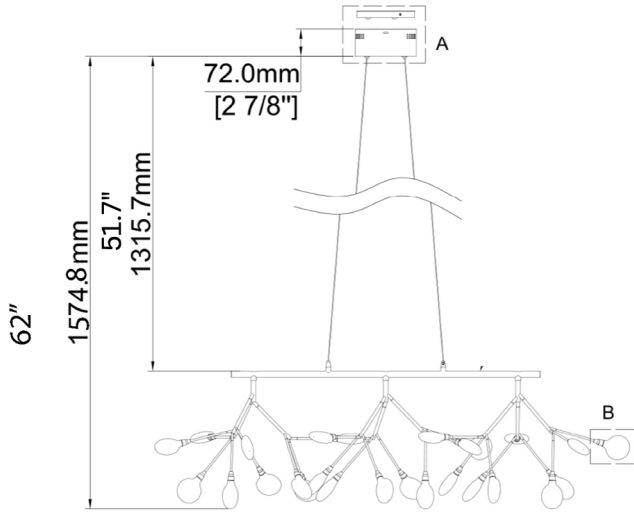


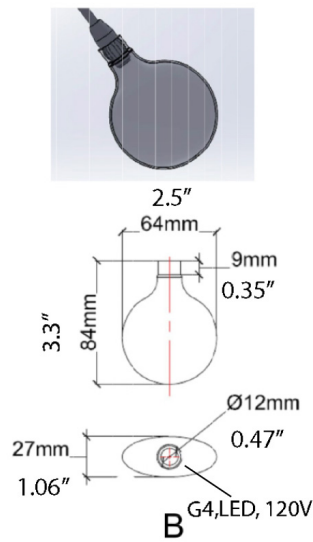
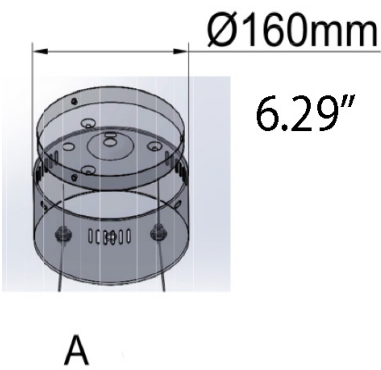


FRONT

SIDE



CLOSEUP



DESCRIPTION

A modern branch chandelier with an organic edge. This branching light stays true to its' name with the natural look of a thriving tree. A simple matte black frame holds 27 sockets scattered throughout.

MATERIALS

Steel, Glass

MOUNTING

Single Gang J-BOX

WEIGHT

Allow for 20 LBS

CERTIFICATIONS

UL Certified

