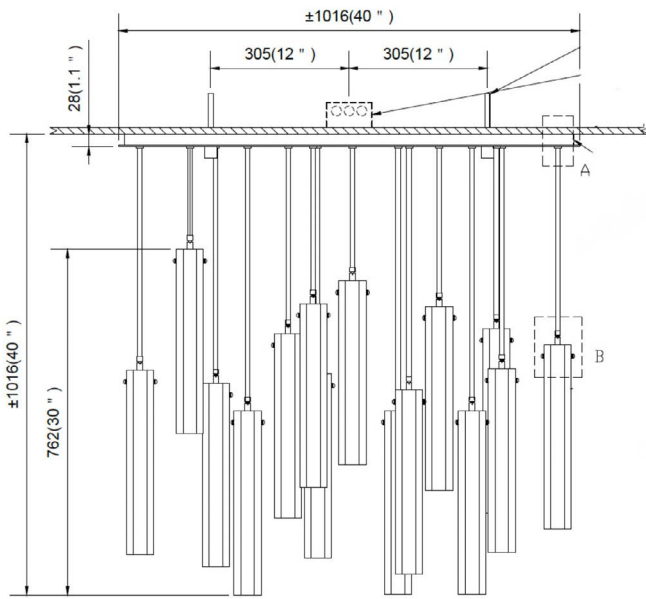
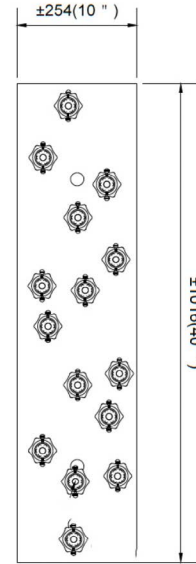




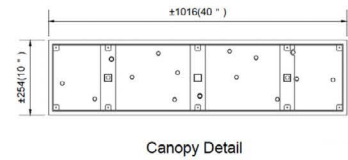
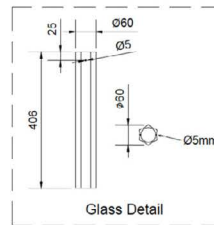
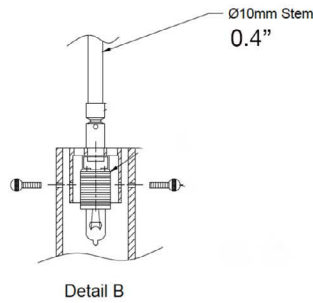
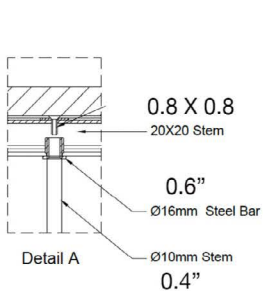
FRONT



BOTTOM



CLOSE-UP



DESCRIPTION

Fifteen fluted glass pendants hang in harmony, offering an unobstructed view and enhancing the atmosphere as kitchen pendant lighting over the island, or overhead dining room light. Available in Polished Stainless Steel, Satin Brass and Acid Matte Black.

MATERIALS

Steel, Glass

MOUNTING

Single Gang J-BOX

WEIGHT

Allow for 88 LBS

CERTIFICATIONS

UL Certified

