



Augustus CHANDELIER

INSTALLATION GUIDE



WEARING GLOVES
IS RECOMMENDED

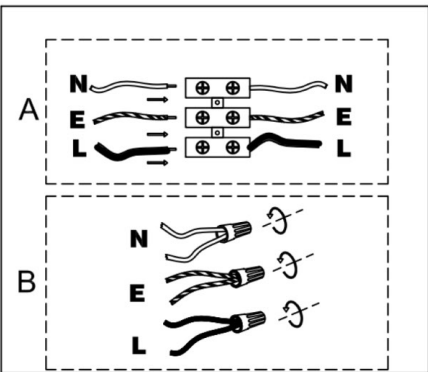
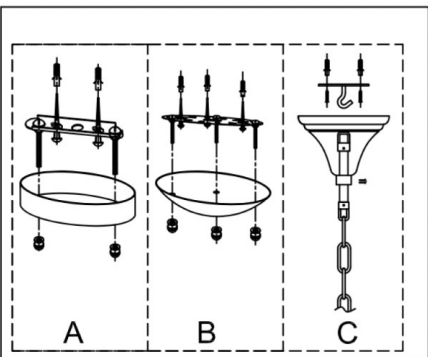
DANGER: ELECTRIC SHOCK RISK. FOR YOUR SAFETY,
TURN OFF ELECTRICAL POWER BEFORE BEGINNING
INSTALLATION AND USE CAUTION WHEN INSTALLING.

+1 888.399.9905

www.vault-light.com | sales@vault-light.com

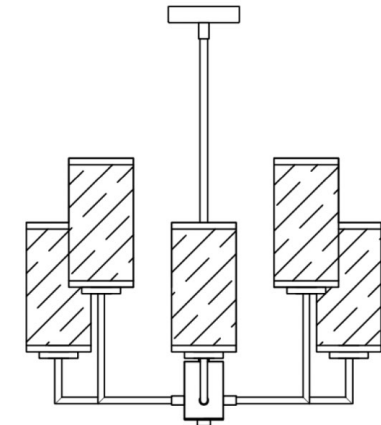
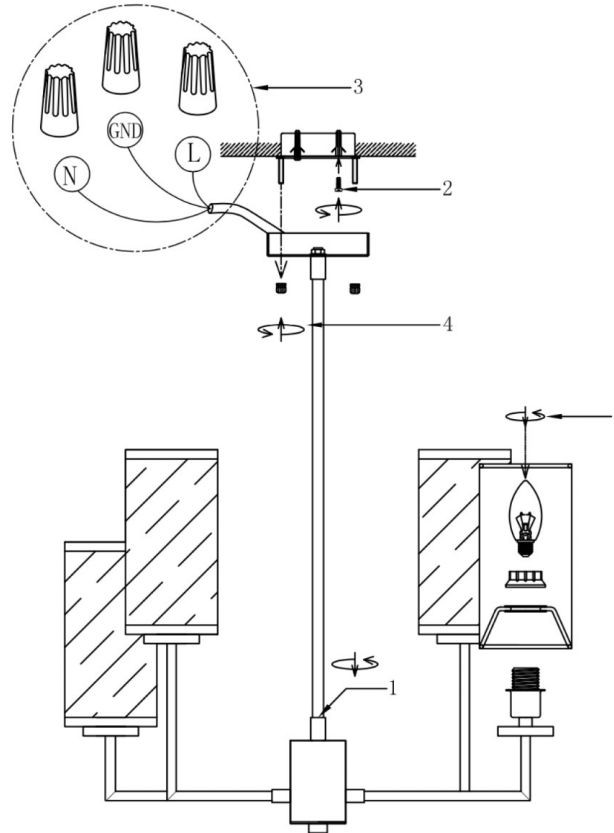


Assembly Instruction



Installation Steps:

1. Assemble the lamp body in order;
2. Mounted the bracket on the wall;
3. Check whether the power cord is in good condition. Follow the icon to wiring: L(positive electrode), ⊕ (ground wire), N(negative electrode) ;
4. Mounted the lamp body on the bracket;
5. Adjust the whole fixture and switch to light up.



Attentions:

- 1: This light are only suitable for 110V-120V.
- 2: Please put gloves on while installation, avoiding any damages from the light and cables.
- 3: Do not install while the ceiling is wet and installation should under a safety environment.
- 4: Please clean the light with dry cloth only, do not use water or other chemical liquid
- 5: Installation should be done by certified engineer, and follow the installation instruction step by step.
- 6: Make sure power is off while cleaning the lamp.