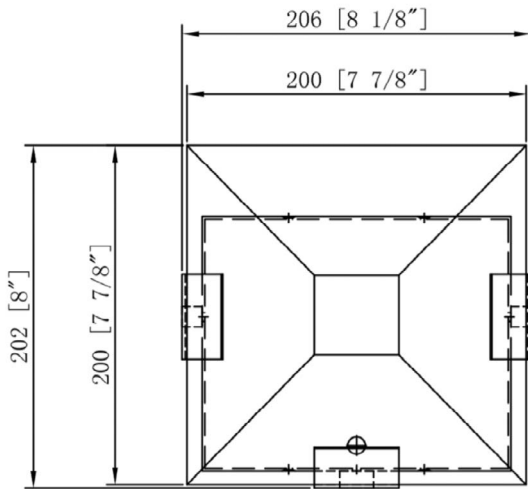
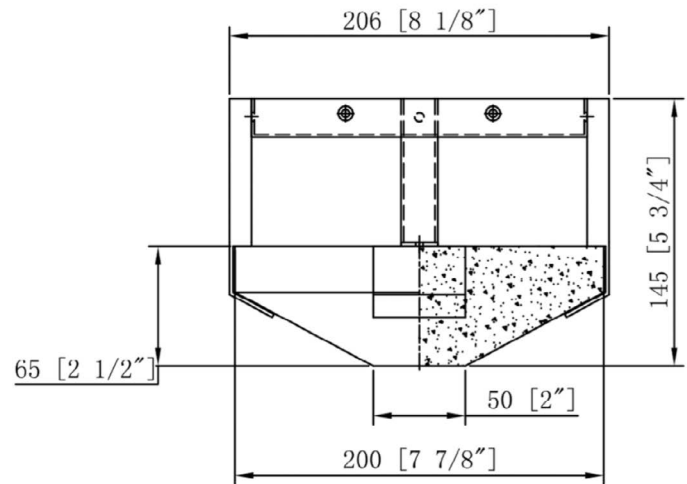




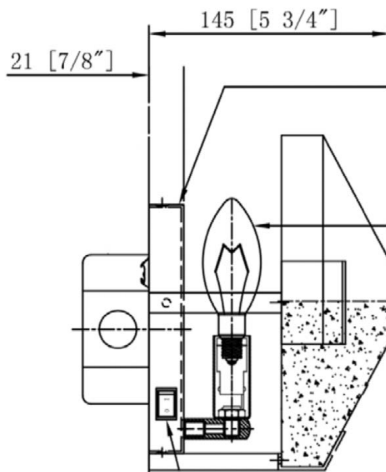
## FRONT



## TOP



## SIDE



## DESCRIPTION

This contemporary wall sconce interpretation enhances the lighting effect through the glass lens creating an alluring visual effect. Available in brass, black and polished nickel, this wall sconce design has a touch of minimalism artistically creating exceptional functional lighting in a simplified way.

## MATERIALS

Steel, Glass

## MOUNTING

Single Gang J-BOX

## WEIGHT

Allow for 5 LBS

## CERTIFICATIONS

UL Certified

