



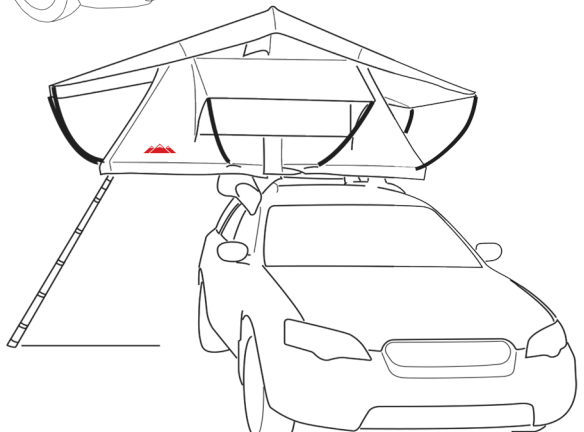
Ventura Roof Tents

> 3 Key Steps

HAVE YOU FORGOTTEN THESE 3 KEY STEPS?

IN THIS MANUAL WE ARE GOING TO SHOW YOU THE 3 MOST IMPORTANT KEY STEPS WHICH INCLUDE -

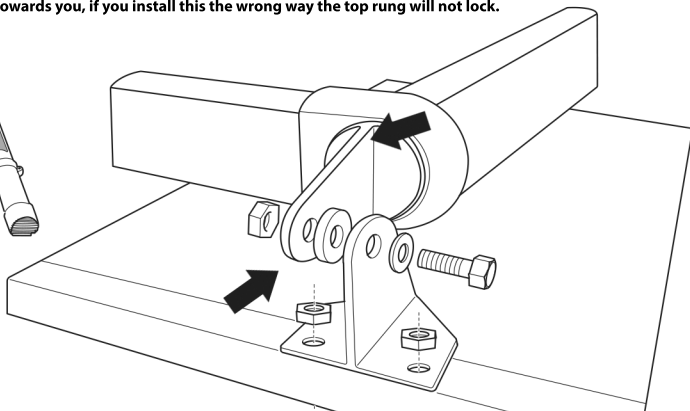
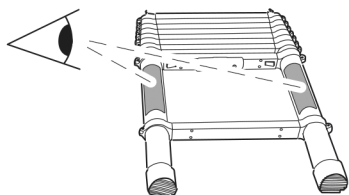
- > THE ORIENTATION OF THE LADDER**
- > THE ORIENTATION OF TRAVEL COVER**
- > WEATHERING PROCEDURE**



➤ ORIENTATION OF THE LADDER

Please check that all rungs on the ladder lock before installing this onto your Ventura Deluxe 1.4 roof top tent.

When installing the ladder onto your Ventura Deluxe 1.4 roof top tent, you need to make sure that the stickers are facing towards you, if you install this the wrong way the top rung will not lock.



As well as the stickers that need to be facing you as you climb up the ladder, The brass coloured fixing needs to have the slanted edge also facing towards you as you climb up the ladder.

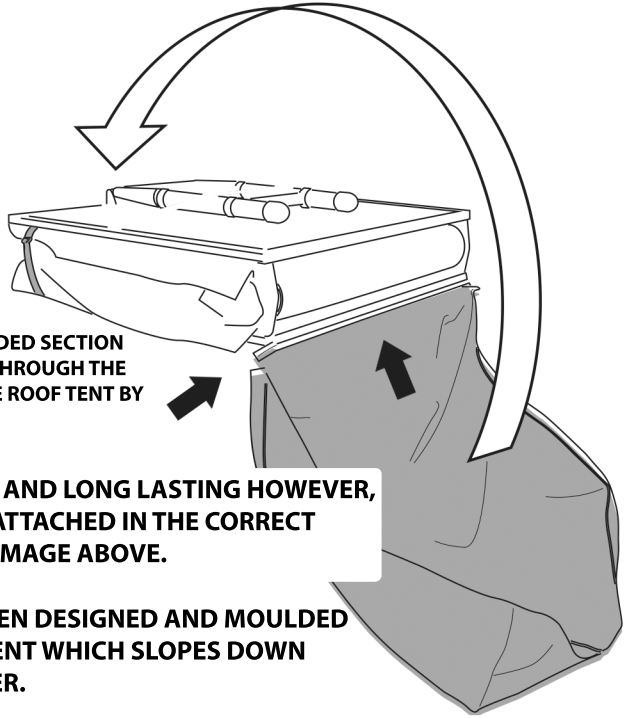


➤ ORIENTATION OF THE TRAVEL COVER



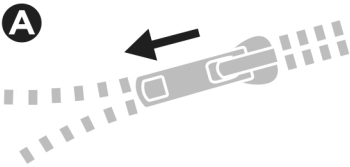
THIS IS A VERY IMPORTANT STEP

YOU MUST MAKE SURE THE BEADED SECTION OF THE TRAVEL COVER, SLIDES THROUGH THE HINGE/ MIDDLE SECTION OF THE ROOF TENT BY THE EXPOSED MATTRESS.

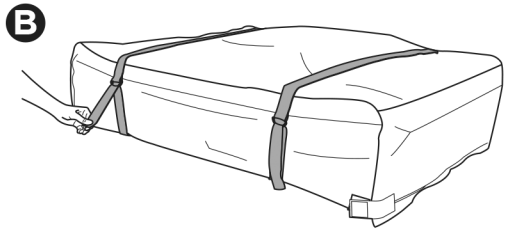


THE COVER IS STRONG, DURABLE AND LONG LASTING HOWEVER, YOU MUST ENSURE IT HAS BEEN ATTACHED IN THE CORRECT ORIENTATION AS SHOWN IN THE IMAGE ABOVE.

THE SHAPE OF THE COVER HAS BEEN DESIGNED AND MOULDED TO FIT THE SHAPE OF THE ROOF TENT WHICH SLOPES DOWN TOWARDS THE END OF THE LADDER.



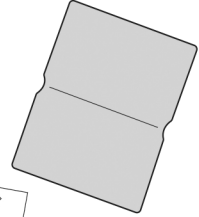
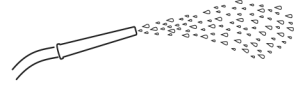
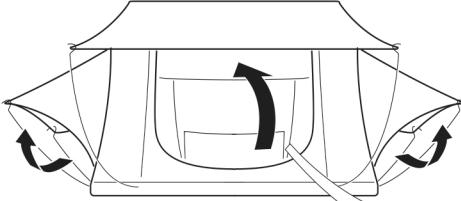
THE DETACHABLE ZIP THAT COMES WITH THE TRAVEL COVER, NEEDS TO BE SLID THROUGH THE REMAINING 3 SIDES OF THE ROOF TENT.



ONCE YOU HAVE ZIPPED THE COVER ON, THROW THE 2 STRAPS OVER THE TOP. PLEASE ENSURE THEY ARE NOT FASTENED DOWN EXCESSIVELY TIGHT. THE TOP TWO STRAPS ARE DESIGN TO STOP THE COVER FLAPPING IN THE WIND WHILE DRIVING.



WEATHERING



Weathering your Ventura Deluxe 1.4 roof top tent is a very important process which you must do to ensure your tent is water-tight and ready for a long life of camping.

Our roof tents are manufactured to a very high standard using poly cotton canvas which needs to be weathered/soaked prior to using it in the rain the first time. This weathering procedure only needs to be done once from new.

All you have to do is take out the mattress and then hose down the roof tent all over for 10 minutes to ensure every little inch the fabric has gotten completely soaking wet. This will allow the cotton fibres to swell up and expand, when it dries the fibres will then shrink/contract then tighten & bind together which closes all the tiny needle holes and gaps within the weave.

It is a really easy process to weather your Ventura Deluxe 1.4 roof top tent:

- 1. Completely erect your Ventura Deluxe 1.4 roof top tent and remove all items from inside of the tent including the mattress.**
- 2. Use a hose or sprinkler to completely soak your Ventura Deluxe 1.4 roof top tent with water for around 5-10 minutes. (If you are going to naturally weather this with rainwater this will need to be done at least twice)**
- 3. Let this completely air dry before packing away.**
- 4. You are ready to go camping.**

