

Poly Deluxe Adirondack Chair Assembly Instructions

2 - (A) Armrest Assembly

2 - (B) Back Legs

1 - (C) Seat Assembly

1 - (D) Back Assembly

Hardware

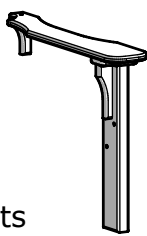
4 - 5/16" x 3" Stainless Wafer Bolts

2 - 5/16" x 2 1/2" Stainless Wafer Bolts

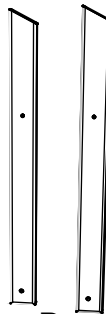
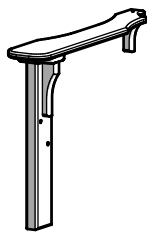
2 - 5/16" x 1 3/4" Stainless Wafer Bolts

10 - 2" Screws

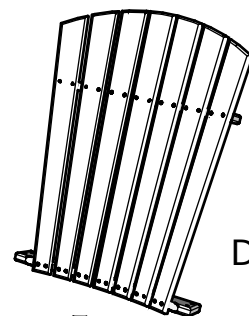
1 - 5/32 Hex Key



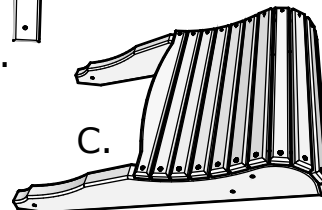
A.



B.

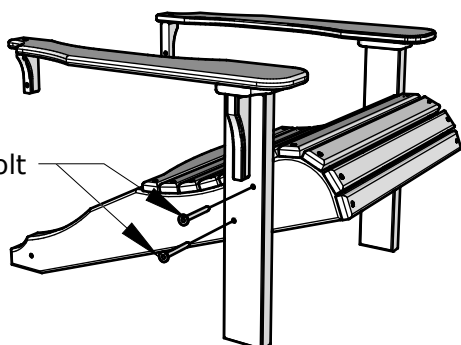


D.



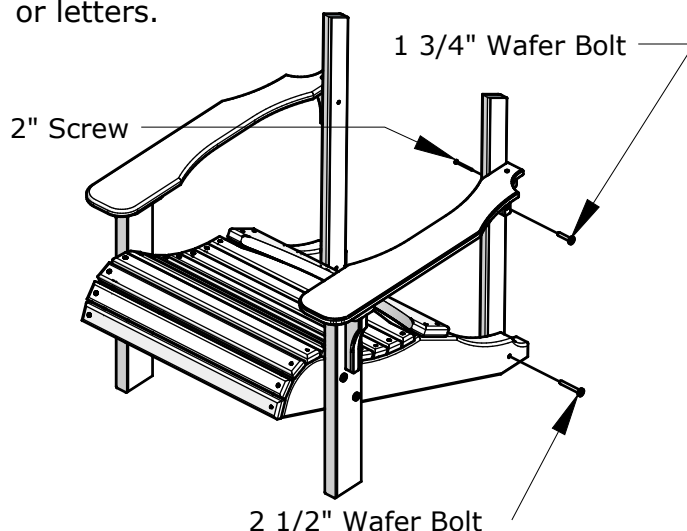
C.

1. Attach (A) Armrest Assembly to (C) Seat Assembly using 2 - 3" Wafer Bolts per side, tighten all Wafer Bolts with included Hex Key. Be sure to match all numbers and or letters.



3" Wafer Bolt

2. Attach (B) Back Legs using 1 - 2 1/2" Wafer Bolt through (C) seat support, 1 - 1 3/4" Wafer Bolt & 1 - 2" Screw through (A) Armrest Assembly per side, tighten all Wafer Bolts with included Hex Key. Be sure to match all numbers or letters.

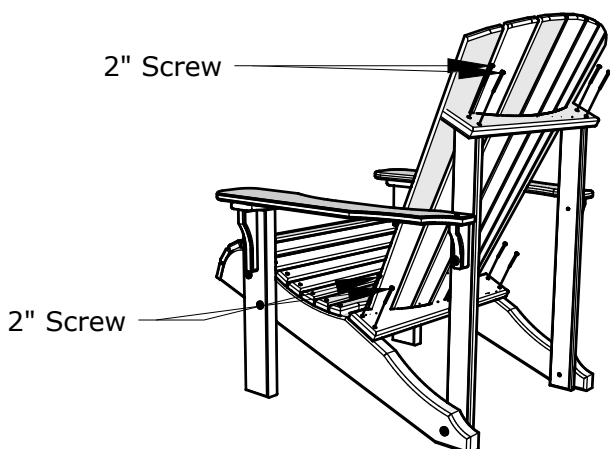


1 3/4" Wafer Bolt

2" Screw

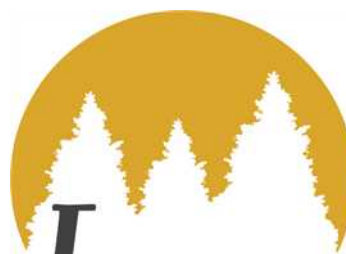
2 1/2" Wafer Bolt

3. Attach (D) Back Assembly to top of (B) Back Legs & (C) Seat Assembly using 4 - 2" Screws per side. be sure to match all numbers or letters.



2" Screw

2" Screw



LuxCraftTM

FINE OUTDOOR FURNITURE

