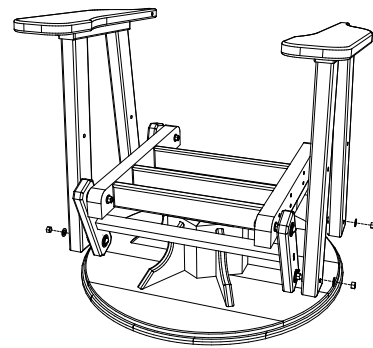
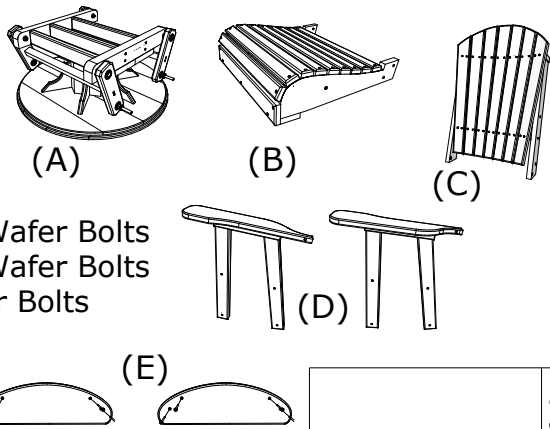


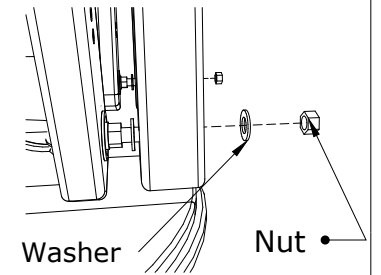


2' Adirondack Swivel Glider Assembly Instructions

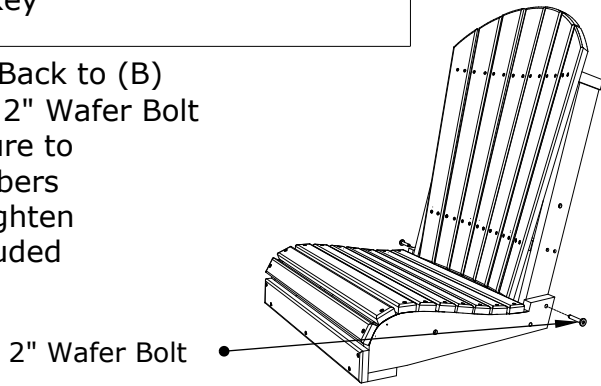
- 1 - (A) Swivel Base
 - 1 - (B) Seat
 - 1 - (C) Back
 - 2 - (D) Armrest's
 - 2 - (E) Lintels
- Hardware
- 2 - 3 1/2" Stainless Wafer Bolts
 - 2 - 2 1/2" Stainless Wafer Bolts
 - 4 - 2" Stainless Wafer Bolts
 - 4 - 3/8" Nuts
 - 4 - Washers
 - 8 - 2" Screws
 - 1 - 5/32 Hex Key



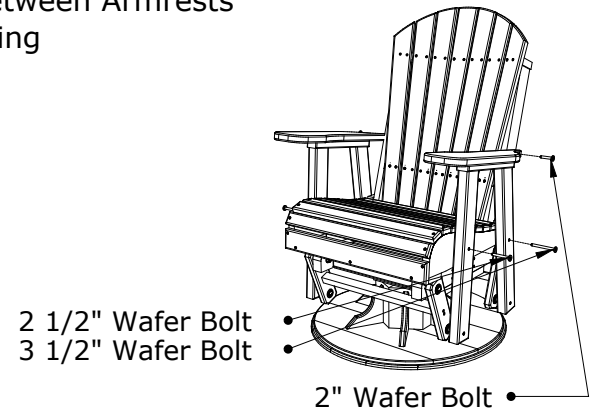
1. Attach (D) Armrest Assemblies to (A) Swivel Base using 2 Nuts & 2 Washers per side, Be sure to match all numbers & or letters.



2. Attach (C) Back to (B) Seat using 1 - 2" Wafer Bolt per side, Be sure to match all numbers & or letters, tighten Bolts with included Hex Key.



3. Slide Seat & Back between Armrests & attach to Armrests using 1 - 3 1/2" Wafer Bolt 1 - 2 1/2" Wafer Bolt & 1 - 2" Wafer Bolt per side, be sure to match all numbers & or letters, tighten Bolts with included Hex Key.



4. Attach (E) Lintels to Armrest assemblies using 4 - 2" Screws per side, be sure to match all numbers & or letters.

