



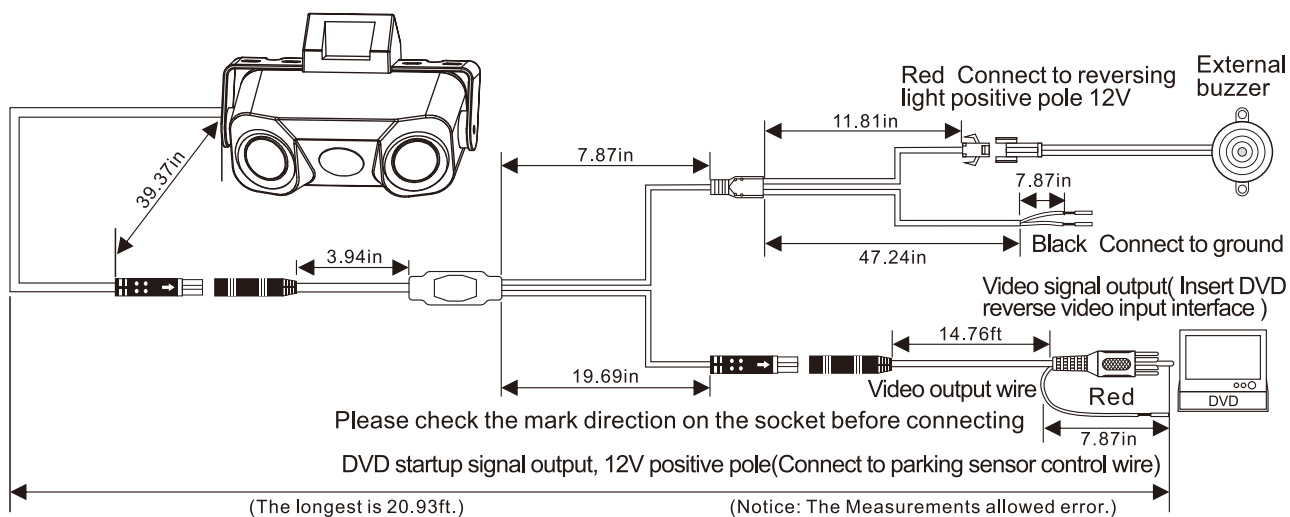
VTS-T100SR (Toyota Camry 2012~2014) VTS-H100SR (Honda Accord 2006~2014, Civic 2014)  
**TWO IN ONE CAMERA AND SENSOR SYSTEM INSTALLATION GUIDE**

**Features:**

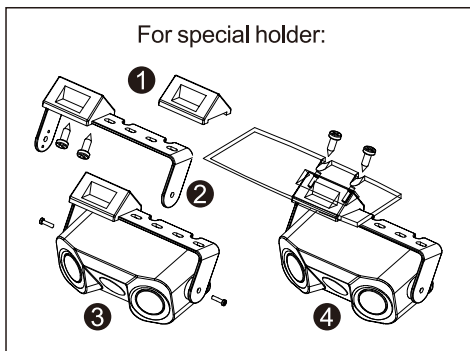
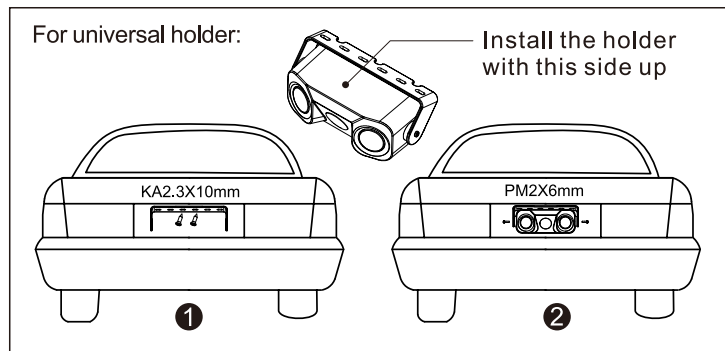
- 1、 Integrated parking sensor and reversing camera, drill free, keeping your car to its original shape, easier and faster installation.
- 2、 With double sensor, increase sensor detection angle and reduce blind area.
- 3、 Distance and image information shows on the display or DVD .
- 4、 High definition camera and wide angle video signal converse technical.
- 5、 Buzzer reminding.
- 6、 Water-proof level: IP 67

**Technical parameter:**

- 1、 Working voltage: 12V±3V
- 2、 Working current: ≤90(mA)
- 3、 Max power: 50mW
- 4、 Display range: 0.4~2.0m
- 5、 Standard: NTSC
- 6、 Camera detection angle: 110°horizontal
- 7、 Sensor detection angle:  
Horizontal: 140°, vertical: 60°
- 8、 Buzzer volume: 85~105dB
- 9、 Working temperature: -40°F ~ 185°F



**Installation steps:**



**Parts List:**



Main unit 1pc



Buzzer 1pc



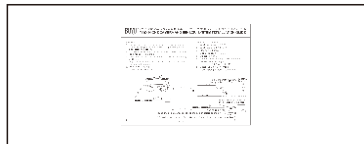
Metal bracket 1pc



Shelf bracket 2pcs



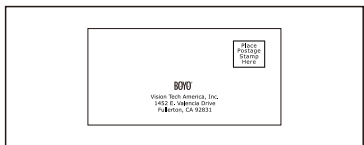
Screw 6pcs



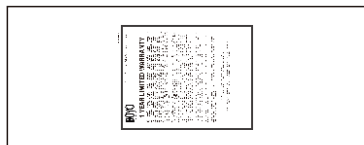
Manual 1pc



Specific bracket 1pc



Registration card 1pc



Warranty card 1pc