

Quick Installation Guide



1. System Overview

- One VTB301C high resolution HD CMOS color camera with the following features:
 - Weatherproof and water resistant
 - Mirror/ Non-Mirror image selectable switch
 - Wide-angle lens 170°
 - 360-degree adjustable mounting angle
 - Auto-iris lens that automatically adjusts to light conditions
 - Infrared light for improved image quality in low-light situations
 - Nightvision distance of approx 8M
- 20M Extension Cable Included
- Supplied installation accessories

2. Installation

Install the VTB301C as follows:

- a. Install the VTB301C camera in the desired location, as follows:
 - 1) Fasten the camera mounting bracket, using the 4 self-tapping Philips screws, to the desired mounting surface, as shown in the Step 1 arrows of Figure 1.
 - 2) Position the camera in the camera mounting bracket. Adjust the camera to the proper angle, and then attach the camera and sun visor to the camera mounting bracket using the 4 supplied hex-head machine screws (with washers), as shown in the Step 2 and Step 3 arrows of Figure 1.

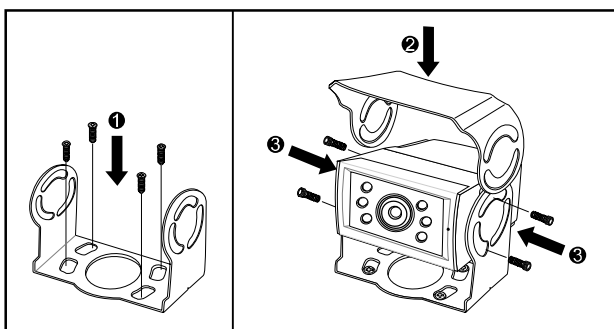


Figure 1. Installing the Camera

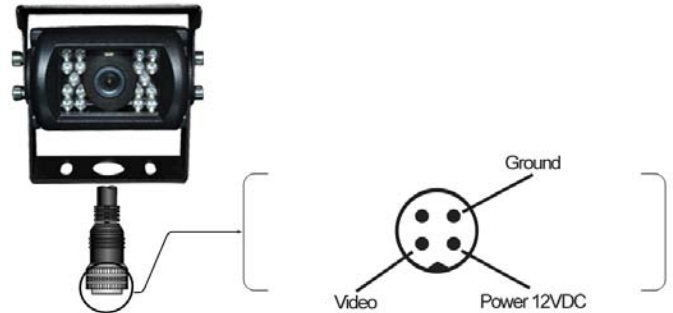
- b. Route the extension cable from the camera location to the location of the output device (not supplied), such as a monitor or switcher.
- c. Insert the male connector of the extension cable into the appropriate female audio/video port of the output device (not supplied), such as a monitor or switcher.

3. Normal/Mirror Selector

The camera default setting is in reverse viewing. To change to non-mirror viewing, unplug the jumper plug with the green wires and re-power the camera for the changes to take effect.

4. Grid Line Selector

The camera default setting is grid line on. To turn off the grid lines, unplug the jumper plug with the blue wires and re-power the camera for the changes to take effect.



5. Specifications

Item	Specification
Image Sensor	1/3 1089
TV System	NTSC
Effective Pixels	720 x 480
Minimum Illumination	0.0 Lux
Power Consumption	12 VDC, 250mA Max
Operating Temperature	-20°C to 70°C
Dimensions (Width x Height x Depth)	3 inches x 3 inches x 2.25 inches
Lens Angle	170°
Supplied Accessories	<ul style="list-style-type: none"> ▪ Manual ▪ Screws ▪ 20M Extension cable ▪ DC Power cable ▪ 2 Jumper terminals ▪ Warranty card ▪ Registration card

CAUTION: To reduce the risk of electrical shock, disconnect the battery from the electrical system of the vehicle before starting the installation.

CAUTION: Before inserting screws into the mounting surface, ensure that the underside of the mounting surface is clear of equipment that might be damaged by the screws.