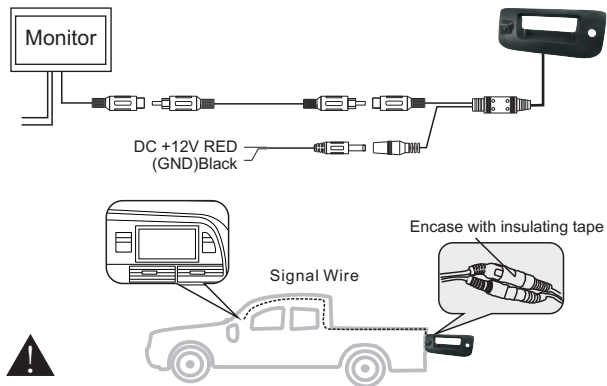


size:105x148mm

3.Installation

The installation and position of the camera



⚠
Caution:

It is advisable to disconnect the negative battery cable for 3 minutes before beginning installation, to avoid unintended air bag deployment. Note and record any anti-theft radio codes prior to disconnecting.



BOYO[®]

VISION

VTS12HD

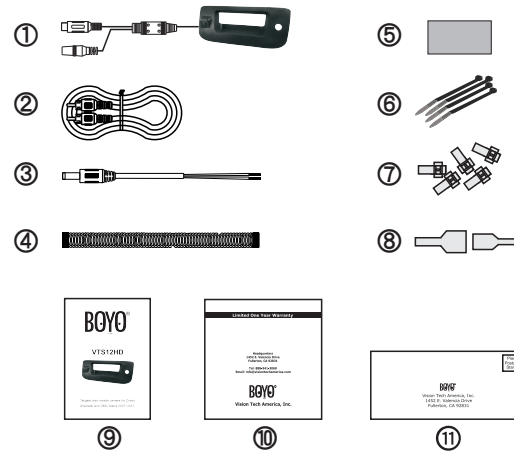


Tailgate door handle camera for Chevy
Silverado and GMC Sierra 2007~2013

1. Specification

Technical term	Technical Parameters
Image Sensor	SONY HD CCD
Power Supply(DCV)	DC 9V-16V
Current Consumption	57 mA
Power	0.7 W
Effective pixels	768(H)X494(V)NTSC, 752(H)X582(V)PAL
Electronic shutter	1/60 (NTSC)1/50(PAL)-100000s
Minimum illumination	0.1 Lux
S/N Ratio	48 dB
Resolution(TV Lines)	600 TVL
TV System	NTSC / PAL
Lens Angle(Deg.)	D=130°±10° H=90°±5° V=68°±5°
Video output	1.0Vp-p 75ohm
IP rating (Waterproof)	IP 67
White Balance AUTO	AUTO
AGC	AUTO
BLC	AUTO
Operating Temperature(° F)	-31° F~167° F

2. Parts Identification



Item	Description
①	Camera
②	Signal Wire (32.8ft)
③	Power Line (9.84ft)
④	Convoluted tubing(3.28ft)
⑤	Pad
⑥	Tie straps
⑦	T-Taps
⑧	T-Taps
⑨	User's manual
⑩	Warranty Card
⑪	Registration Card