

7.3 Inch Frameless Rear View Mirror Monitor with Full Display Screen

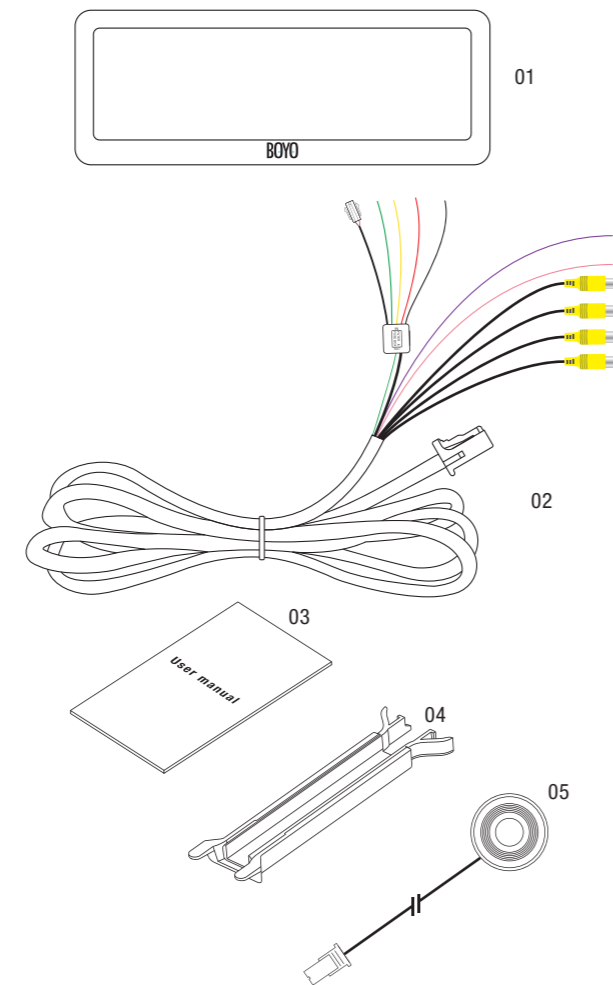


BOYO
VISION
VTM73FL

CONTENTS

The package contains the following:

- 01 Rearview mirror monitor
- 02 Wire harness
- 03 User manual
- 04 Wire cover
- 05 Wire control



FEATURES

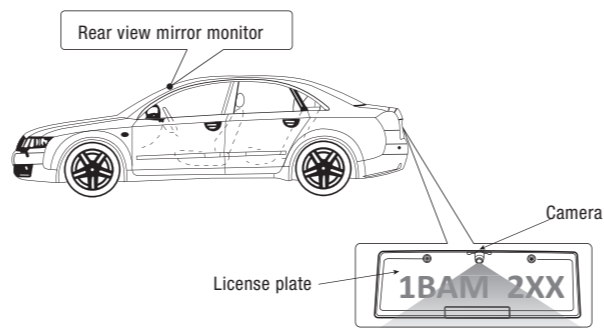
- 7.3 inch wide LCD display screen
- Frameless design
- 4-way video inputs
- Back-up camera display
- Adjustable Back up guide lines
- Automatic brightness adjustment
- Channel switch among front, back, left, right

SPECIFICATIONS

- Screen size: 7.3 inch
- Display screen: TFT-LCD
- Aspect resolution: 1280(H)*390(V)
- Working voltage: 12V
- Working temperature: -4°F~+149°F
- Signal system: PAL/Auto/NSTC
- Brightness: about 1100cd/m2

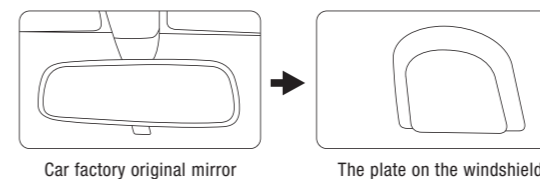
HOW TO INSTALL REVERSE CAMERA

When a camera needs to be installed at the rear of vehicle, a good position is usually at the top of the License plate where there is an under ledge.



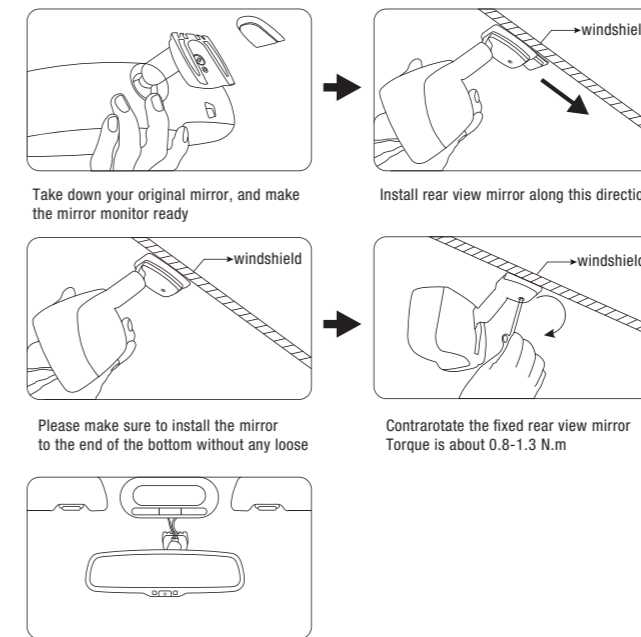
HOW TO INSTALL MIRROR MONITOR

Remove the original mirror



Different cars have different brackets. It depends on your vehicle maker and manufacturer. There are many methods to remove the original rear view mirror, however, please don't force the mirror off the bracket. The manufacturer will not be responsible for damage caused to your car by wrong installation of the mirror.

Install mirror monitor on the plate



Take down your original mirror, and make the mirror monitor ready

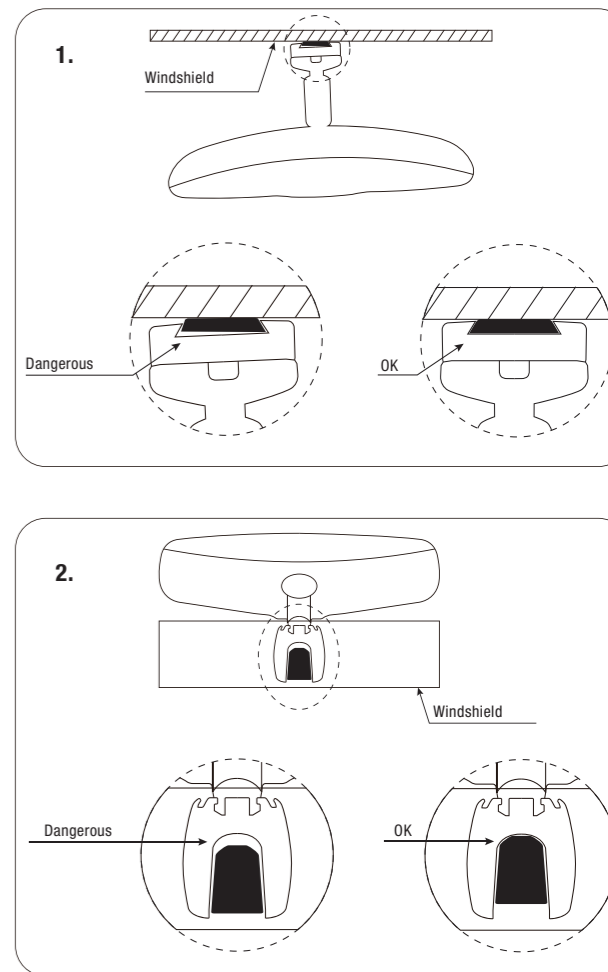
Install rear view mirror along this direction

Please make sure to install the mirror to the end of the bottom without any loose

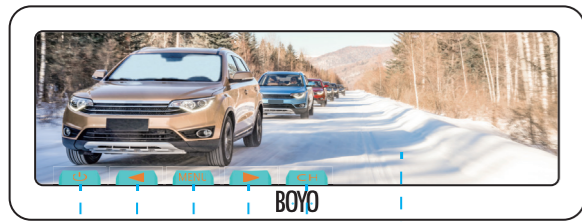
Contrarotate the fixed rear view mirror Torque is about 0.8-1.3 N.m

NOTE: Always use caution, DO NOT force the mount. We will not be responsible for broken windshields. If you are not sure how to remove or re-install the mirror seek trained, qualified help.

CAUTION!



FRONT BUTTONS OPERATION



1 2 3 4 5 6

Non-trigger state: turn on/off screen
Trigger state: unusable

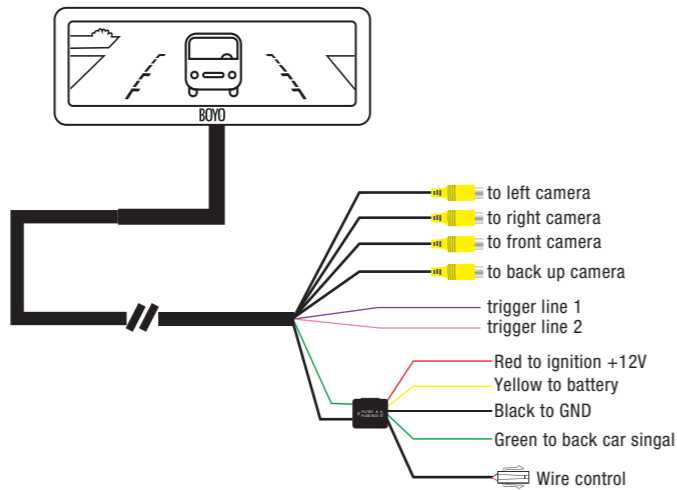
In Video, Camera state: brightness down

In Video, Camera state: brightness down

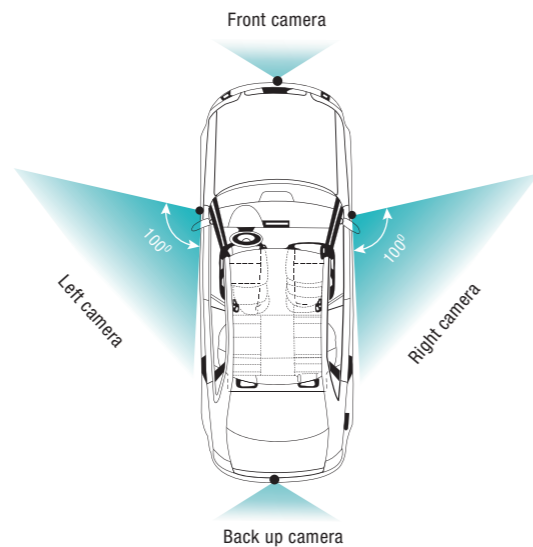
In Video, Camera state: brightness up

Non-trigger state: channel switch
Trigger state: unusable

HOW TO WIRE

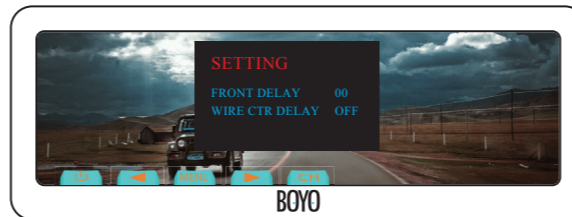
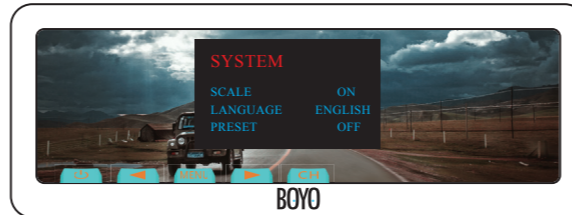
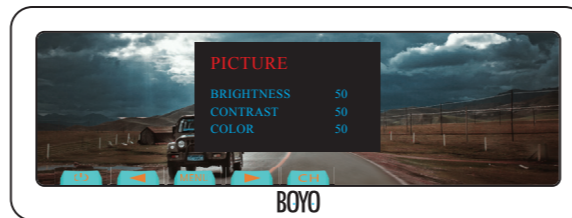


The advisable installation position for camera



MENU SETTING

In Video, Camera state, short press "", you can switch among "PICTURE", "SYSTEM", "SETTING" or enter out. When you enter "PICTURE", press "" to switch among the items. "" and "" are to change the figure of each setting. "SYSTEM", "SETTING" is the same as explains above.



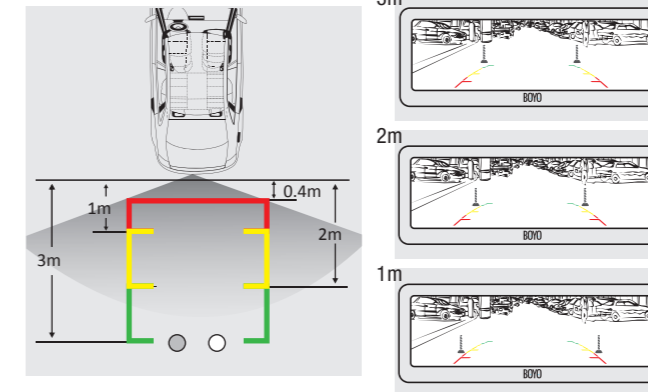
About "WIRE CTR DELAY"

This function is used with wire control switch.
1. If "WIRE CTR DELAY" is setted "OFF", this function is same as the touch buton "CH".
2. If "WIRE CTR DELAY" is stted as other parameters, you switch one video screen to another one by wire control switch, once the delay time is up, the screen will be automatically back to the pre-switching video screen.

11 ADJUSTABLE GUIDE LINE

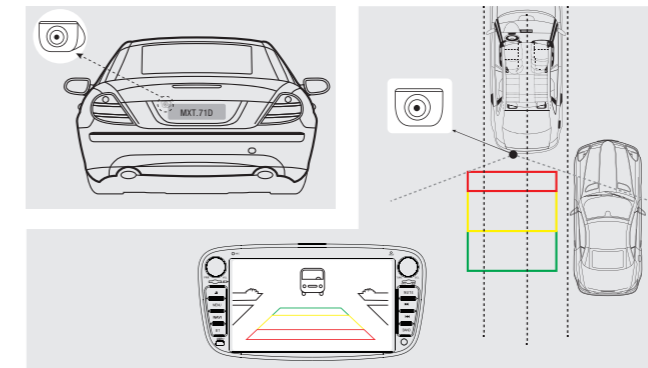
About guide line

Generally, to help drivers estimate the distance from obstacles, there are three lines for reference -red, yellow and green. Those lines are displayed on the monitor when reversing. The green line is 3m away from the back of car and the yellow line is 2m. The distant red line is 1m away from the backside of car while the closed red line is 0.4m. Both reference lines on the left and right should leave 0.2m from the car.



What the regular guide line is

Regular guide line is fixed. But installation sites of cameras are different as well as car size. The fixed guide line is not accurate enough for drivers. There is a great difference among regular and fixed guide lines and car's real guide lines, especially when camera is mounted on the left or right side of car backside.



How to adjust the guide line

According to the site of standard reference line, we can put references such as desks in the back side of the car. Compared with the marked references, we can adjust the sites and angles of two guide lines displayed on the monitor. You will get the accurate and safety guide lines once it coincides with the references.

Reversing state: Long press "" to enter "guide line adjustment" mode. The system is defaulted to adjust left guide line first.

Now you can use the "" and "" keys to rotate the left guide line counterclockwise and clockwise; short press the "" key to switch to the next item, at this moment, you can adjust the left guide line among up, down, left and right by pressing buttons "", "", "", "". Continue to short press the "" button, switch to adjust the right guideline. The method is same as above.

