

# Slim Rear View Camera

## INSTRUCTION MANUAL

\* Model  VTL275TJ  VTL375TJ  
 VTL405TJ  VTL425TJ

**BOYO**  
 Vision Tech America, Inc.  
 1452 E. Valencia Dr, Fullerton, CA 92831  
 Ph:888-941-3060

www.visiontechamerica.com

### Table of contents

1. Package	3-4
2. Limited time warranty	5
3. Care instructions	5
4. Key Features	5
5. Dimension(inch) & Wiring	6-7
6. Specification	8
7. Connection instructions	9

### 1. Package

1-1. VTL275TJ / VTL375TJ



Slim Rear View Camera 1EA  
 Instruction manual 1EA  
 M6 Hex bolt 4EA



Spring washer 4EA  
 Flat washer 4EA  
 M6 Hex nut 4EA



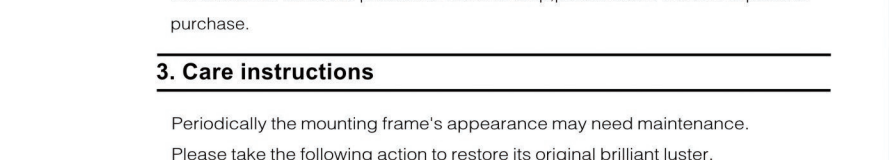
1.5Ø L-Wrench 1EA  
 Adaptor cable 1EA  
 Registration card 1EA



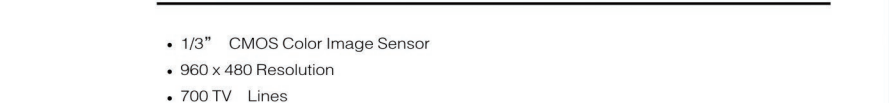
24ft Extension cable 1EA  
 Warranty card 1EA

### 1. Package

1-2. VTL405TJ/VTL425TJ



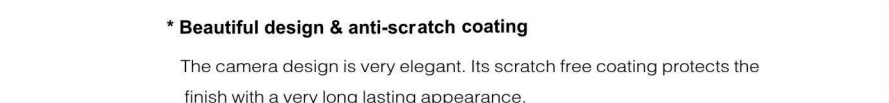
Slim Rear View Camera 1EA  
 Instruction manual 1EA  
 M6 Hex bolt 2EA



Spring washer 2EA  
 Flat washer 2EA  
 M6 Hex nut 2EA



1.5Ø L-Wrench 1EA  
 Adaptor cable 1EA  
 Registration card 1EA



24ft Extension cable 1EA  
 Warranty card 1EA

### 2.Limited time warranty

Limited time warranty applies only if care instructions are followed regularly. In the event of defective product or workmanship, please return the item to place of purchase.

### 3. Care instructions

Periodically the mounting frame's appearance may need maintenance. Please take the following action to restore its original brilliant luster. Use non abrasive mild soap detergent and water only to clean.

### 4. Key Features

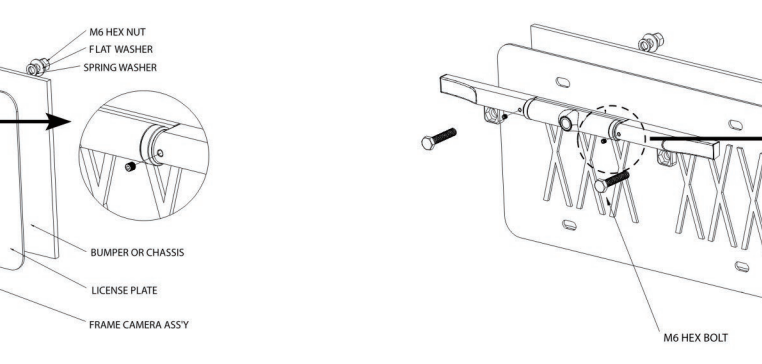
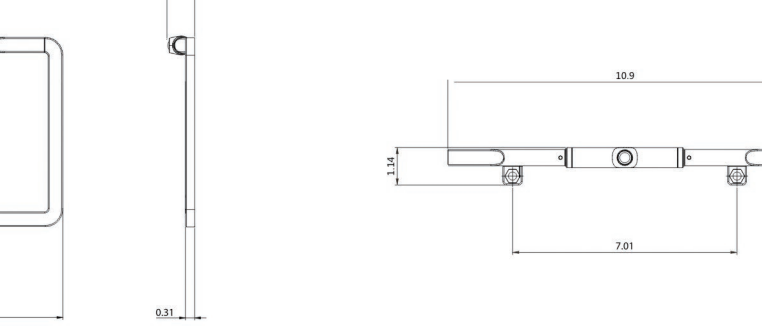
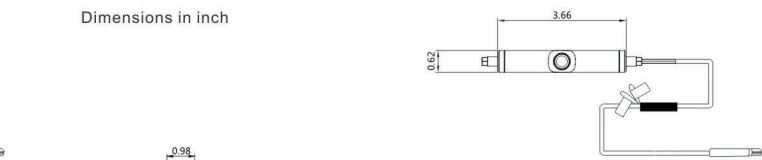
- 1/3" CMOS Color Image Sensor
- 960 x 480 Resolution
- 700 TV Lines
- 175 degree Wide Viewing Angle (D)
- Minimum Illumination 0.1 Lux at F2.0
- Reverse/Non Reverse Image(Selectable)
- Trajectory Parking Lines On/Off(Selectable)
- Camera Swivels Up and Down
- IP68 Waterproof Rating
- 24ft Video Extension Cable
- Voltage Tolerance:9VDC-16VDC
- NTSC

### \* Beautiful design & anti-scratch coating

The camera design is very elegant. Its scratch free coating protects the finish with a very long lasting appearance.

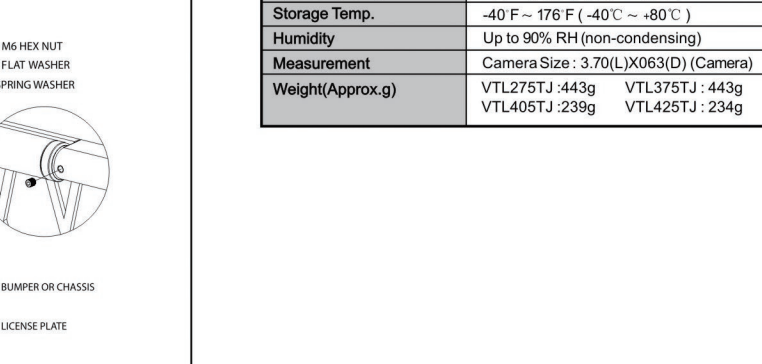
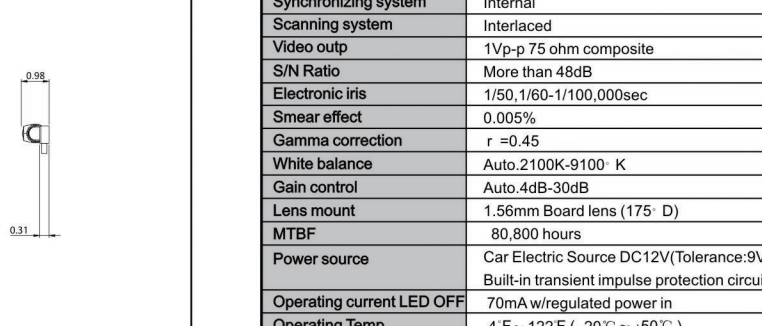
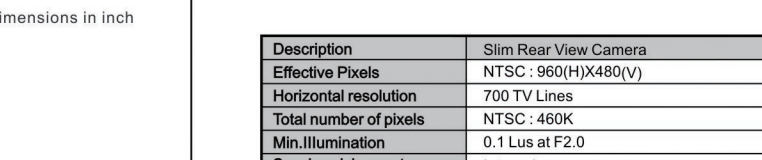
### 5. Dimension(inch) & Wiring

5-1. VTL275TJ / VTL375TJ



### 5. Dimension(inch) & Wiring

5-2. VTL405TJ / VTL425TJ



### 6. Specification

6-1. VTL275TJ / VTL375TJ / VTL405TJ / VTL425TJ

<b>Description</b>	Slim Rear View Camera
<b>Effective Pixels</b>	NTSC : 960(H)x480(V)
<b>Horizontal resolution</b>	700 TV Lines
<b>Total number of pixels</b>	NTSC : 460K
<b>Min.Illumination</b>	0.1 Lus at F2.0
<b>Synchronizing system</b>	Internal
<b>Scanning system</b>	Interlaced
<b>Video outp</b>	1Vp-p 75 ohm composite
<b>S/N Ratio</b>	More than 48dB
<b>Electronic iris</b>	1/50, 1/60-1/100,000sec
<b>Smear effect</b>	0.005%
<b>Gamma correction</b>	r =0.45
<b>White balance</b>	Auto.2100K-9100 K
<b>Gain control</b>	Auto.4dB-30dB
<b>Lens mount</b>	1.56mm Board lens (175 D)
<b>MTBF</b>	80,800 hours
<b>Power source</b>	Car Electric Source DC12V(Tolerance:9VDC-16VDC)
<b>Operating current LED OFF</b>	Built-in transient impulse protection circuit
<b>Operating current LED ON</b>	70mA(w/regulated power in)
<b>Operating Temp.</b>	-4 F ~ 122 F (-20 C ~ 50 C)
<b>Storage Temp.</b>	-40 F ~ 178 F (-40 C ~ 80 C)
<b>Humidity</b>	Up to 90% RH (non-condensing)
<b>Measurement</b>	Camera Size : 3.70(L)x0.63(D) (Camera)
<b>Weight(Approx.g)</b>	VTL275TJ : 443g VTL375TJ : 443g VTL405TJ : 239g VTL425TJ : 234g

### 7. Connection instructions

7-1. VTL275TJ / VTL375TJ / VTL405TJ / VTL425TJ



### MEMO

MEMO

### MEMO

MEMO

### MEMO

MEMO

### MEMO

MEMO

### MEMO

MEMO

### MEMO

MEMO

### MEMO

MEMO