

Slim Rear View Camera

INSTRUCTION MANUAL

* Model VTL275HD VTL375HD
 VTL405HD VTL425HD

BOYO
 Vision Tech America, Inc.
 1452 E. Valencia Dr, Fullerton, CA 92831
 Ph:888-941-3060

www.visiontechamerica.com

Table of contents

1. Package	3-4
2. Limited time warranty	5
3. Care instructions	5
4. Key Features	5
5. Dimension(inch) & Wiring	6-7
6. Specification	8
7. Connection instructions	9

1. Package

1-1. VTL275HD / VTL375HD



Slim Rear View Camera 1EA
 Instruction manual 1EA
 M6 Hex bolt 4EA



Spring washer 4EA
 Flat washer 4EA
 M6 Hex nut 4EA



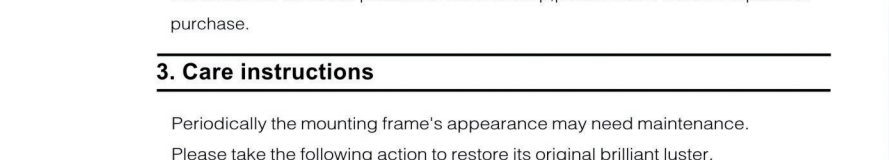
1.5Ø L-Wrench 1EA
 Adaptor cable 1EA
 Registration card 1EA



24ft Extension cable 1EA
 Warranty card 1EA

1. Package

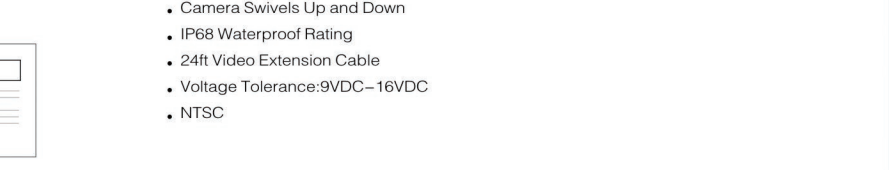
1-2. VTL405HD/VTL425HD



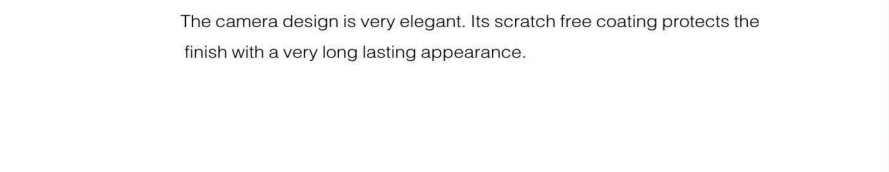
Slim Rear View Camera 1EA
 Instruction manual 1EA
 M6 Hex bolt 2EA



Spring washer 2EA
 Flat washer 2EA
 M6 Hex nut 2EA



1.5Ø L-Wrench 1EA
 Adaptor cable 1EA
 Registration card 1EA



24ft Extension cable 1EA
 Warranty card 1EA

2. Limited time warranty

Limited time warranty applies only if care instructions are followed regularly. In the event of defective product or workmanship, please return the item to place of purchase.

3. Care instructions

Periodically the mounting frame's appearance may need maintenance. Please take the following action to restore its original brilliant luster. Use non abrasive mild soap detergent and water only to clean.

4. Key Features

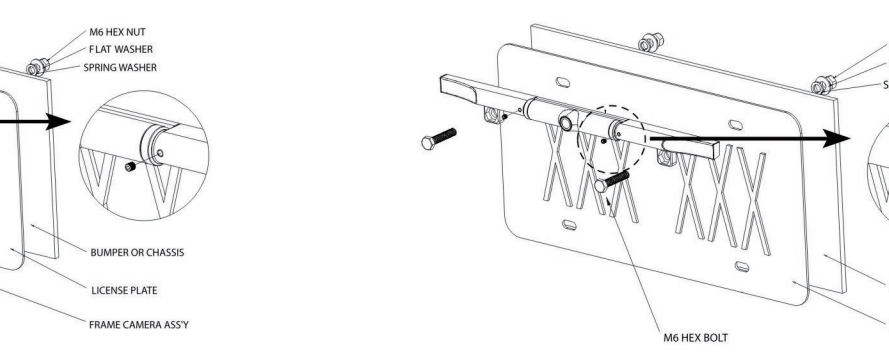
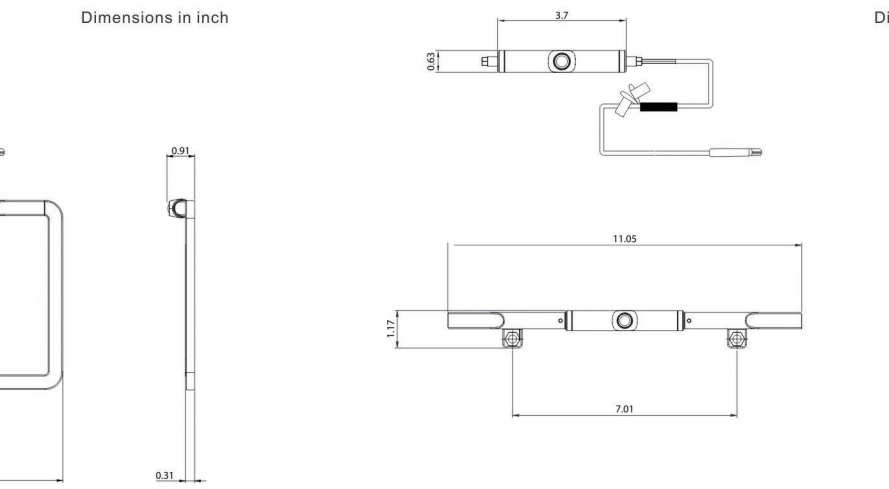
- 1/3" SONY CCD Color Image Sensor
- 960 x 572 Resolution
- 800 TV Lines
- 175 degree Wide Viewing Angle (D)
- Minimum Illumination 0.1 Lux at F2.0
- Reverse/Non Reverse Image(Selectable)
- Camera Swivels Up and Down
- IP68 Waterproof Rating
- 24ft Video Extension Cable
- Voltage Tolerance:9VDC-16VDC
- NTSC

* Beautiful design & anti-scratch coating

The camera design is very elegant. Its scratch free coating protects the finish with a very long lasting appearance.

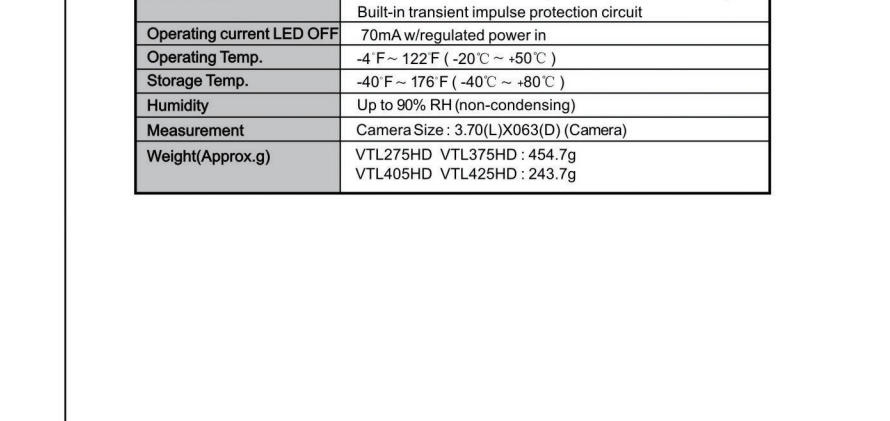
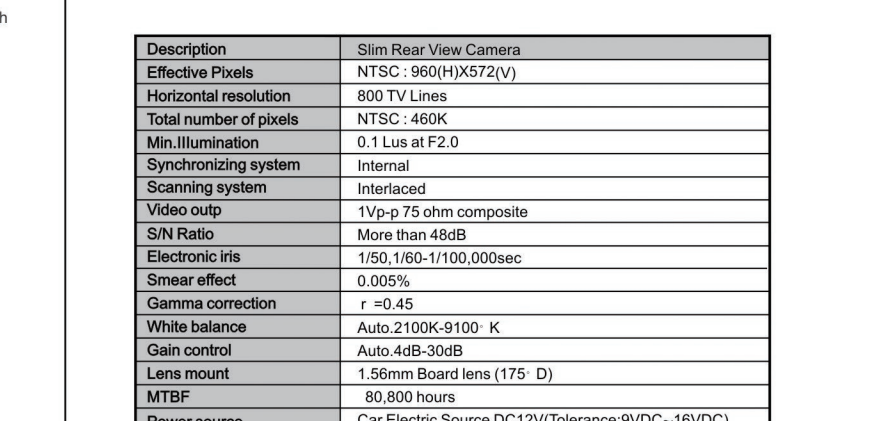
5. Dimension(inch) & Wiring

5-1. VTL275HD / VTL375HD



5. Dimension(inch) & Wiring

5-2. VTL405HD / VTL425HD



6. Specification

6-1. VTL275HD / VTL375HD / VTL405HD / VTL425HD

Description	Slim Rear View Camera
Effective Pixels	NTSC : 960(H)x572(V)
Horizontal resolution	800 TV Lines
Total number of pixels	NTSC : 460K
Min.illumination	0.1 Lus at F2.0
Synchronizing system	Internal
Scanning system	Interlaced
Video outp	1Vp-p 75 ohm composite
S/N Ratio	More than 48dB
Electronic iris	1/50,1/60-1/100,000sec
Smear effect	0.005%
Gamma correction	r =0.45
White balance	Auto,2100K-9100 K
Gain control	Auto,4dB-30dB
Lens mount	1.56mm Board lens (175 D)
MTBF	80,800 hours
Power source	Car Electric Source DC12V(Tolerance:9VDC-16VDC)
Operating current LED OFF	Built-in transient impulse protection circuit
Operating current LED ON	70mA(w/regulated power in
Operating Temp.	-4 F ~ 122 F (-20 C ~ 50 C)
Storage Temp.	-40 F ~ 178 F (-40 C ~ 80 C)
Humidity	Up to 90% RH (non-condensing)
Measurement	Camera Size : 3.70(L)x0.83(D) (Camera)
Weight(Approx.g)	VTL275HD VTL375HD : 454.7g VTL405HD VTL425HD : 243.7g

7. Connection instructions

7-1. VTL275HD / VTL375HD / VTL405HD / VTL425HD



MEMO

MEMO

MEMO

MEMO

MEMO

MEMO

MEMO

MEMO

MEMO