



VTC73AHD

7" 1080P AHD MONITOR SYSTEM

USER MANUAL



Please read the instructional complete before use and keep it for future reference.

Product Features

- 7" 1080P AHD Monitoring Systems
- Monitor
 - 7" TFT LCD monitor
 - 1280 x 960 high-resolution 16:9 wide-screen format
 - 2 Channel AHD inputs
 - Compatible with 720P, 960P and 1080P Video
- Camera
 - Rugged Design for Commercial Vehicle Use
 - High Resolution: 1280 x 960 effective pixels
 - Video Streaming: 1080P @ 25fps
 - 2.8mm Lens with Built-in IR Cut Filter
 - Waterproofed (IP68 Rating)

Contents



Camera



AHD Monitor



4-pin to RCA

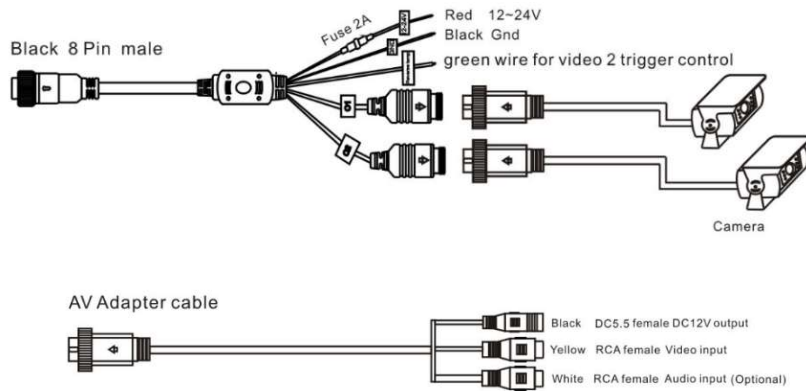


Remote Control

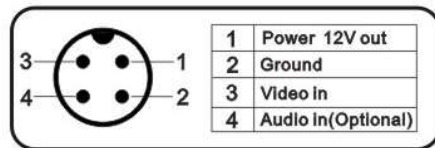
Before Installation

- Please check contents.
- Perform bench test. Ensure the product is working before installation by connecting a camera and a monitor to 12VDC.
- Perform pre-install test, before mounting the monitor and the camera. In very rare instances, a running engine causes interference, resulting in image freezing and jerky object movements. In such situation, the monitor and the camera need to be moved and positioned at various places to determine the best performance position.

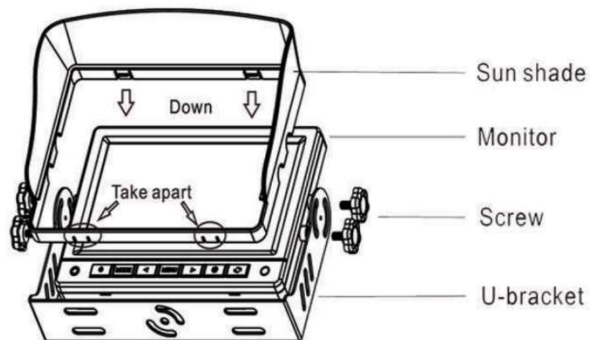
Wiring & Pin configuration



Camera connector pin-out – need to be considered when adding a second camera



Monitor Assembly



Operation

Buttons



1.		Power	
2.	MODE	MODE	Switch AHD1 / AHD2
3.		Increase	
4.	MENU	MENU	Enter menu
5.		Decrease	
6.		Brightness Mode	User, Day, Night 1, Night 2, Night 3
7.		Rotating	Flip display
8.		Remote Sensor	

Button Operation

1.	MENU	Enter / Exit menu Scroll through 'IMAGE', 'VOICE', 'SYSTEM' and 'FUNCTION'
2.		Enter settings
3.	MODE	Move to the next setting
4.		Change value: increase or decrease

Menu

IMAGE menu



Display settings
 - Brightness
 - Contrast,
 - Saturation

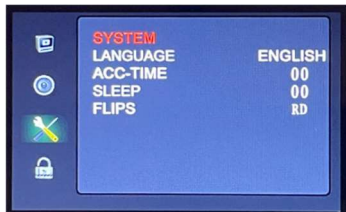
RESET the monitor to the factory default settings.

VOICE menu



VOLUME change speaker volume

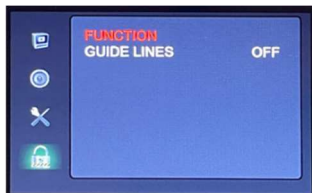
SYSTEM menu



LANGUAGE change the user language
 SLEEP screen saver mode when there is no video signal

ACC-TIME
 FLIPS flip display horizontally and vertically

FUNCTION menu



GUIDELINES
 ON the guideline is displayed when triggered
 OFF do not display guidelines

Camera & Monitor Specifications

Camera

- Image Sensors:1/2.7"
- Power supply : DC 12 V
- Resolution : 1280x960 (1080P)
- Video input format:1080P HD 25fps Ntsc
- Lux:0.01LUX,0LUX IR On(18 IR)
- Lens:2.8MM
- ICR IR Cut Filter Built-in
- System:Ntsc
- View angle:120 Degree
- Ip Rating:IP67,IP68
- Operating Temperature(°F):-4~167
- Storage Temperature(°F):-22~185

Monitor

- 7" TFT LCD Panel (diagonal length)
- Resolutions:1280x960(RGB)
- Aspect Ratio:16:9 image
- 2 Ways Channel AHD Inputs
- Video input format:720P & 960P & 1080P HD 25/30 fps NTSC
- With guide lines
- Rear view delay (0~15S selection)
- AHD1/AHD2 Mirror Image adjusted independently
- PAL/NTSC auto-switching
- Power supply: DC 12V~24V
- Removable sunshade
- Built-in Speaker
- Remote control,OSD menu
- Adjustable contrast,color and brightness

WARRANTY INFORMATION

This one-year limited warranty is given to the end-user or the retail purchaser (referred to this warranty as "Original Purchaser") that it will be free from defects in material and workmanship for a period of one year from the date of the purchase of the new product (excluding accessory items such as power cords, cradle, memory card, adaptor, and cables). This limited warranty does not cover any physical damage to, or misuse of, this product, damage caused by improper installation; improper use; misuse; neglect; repair of cracked, scratched, broken or modified cosmetics; or parts that have been altered or removed; damages done by another device used with this product resulting from use of non BOYO®- brand parts.

For warranty information:

<https://www.visiontechamerica.com/get-warranty>

For technical support:

Call: (888) 941-3060

Email: info@visiontechamerica.com

Visit: www.VisionTechAmerica.com