

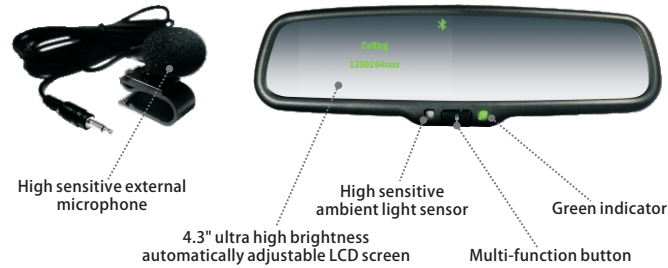
OE-STYLED BLUETOOTH REAR VIEW MIRROR



BOYO[®]
VISION
◆ VTB46M

1 Brief Introduction

Thank you for purchasing the Bluetooth rearview mirror monitor, please read this user's guide to get start. The following is the introduction of the monitor.



2 Checking the accessories

Make sure that you have the following items with your Bluetooth rearview mirror: user manual, microphone, cover, wire.



3 Starting up

The first time you use the rearview mirror, it will automatically start up when the car is started. You need to wait for 1 minute to connect your phone with the mirror. Because at the first minute, the mirror keeps searching last paired cell phone.



4 Connecting to new phone

You need to wait for more 2 minutes after the flash of the Bluetooth device completely disappear, and then connect your mobile phone or other device to rearview mirror.



5 Successfully connected

After the password has been set, a bluetooth icon will appear on the monitor. It means the connection is successful. 5 seconds later, the monitor will automatically shut off and then becomes completely invisible. The Bluetooth system enters standby state.



6 Making a call

Using the phone's keypad
Dial number on the keypad or select the contact name from the contact list of your mobile phone.
Press phone's "send/call" key.



7 Voice dialing

Please ensure your mobile phone supports voice dialing function. When the rearview mirror is in the standby state, to short press the button is to activate voice control function. In 3 seconds, you can hear a beep sound. Please speak out the phone number you want to call or other commands, and then the phone will deal with it.



8 Answering a call

Shortly press the button to answer the call, when you are receiving an incoming call.



9 Hanging up

When the monitor is in the phone state or voice control state, to short press the button is to hang up calls. To long press the button is to reject an incoming call.



10 Bluetooth music

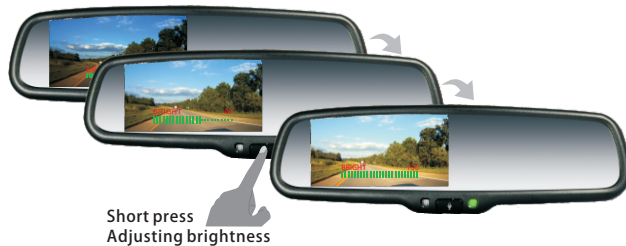
If your phone can play music through Bluetooth, then voice comes from the music and part of games of your phone can be played through loudspeaker built in the mirror.

However, part of phones cannot support this function. The sound may be intermittent or music cannot be transferred.



11 Backup camera display and manual brightness adjustment

With a Rear View Camera installed, place the vehicle in reverse, and the image from the back-up camera will be automatically displayed on the monitor. Once the camera image is displayed, you can manually adjust the monitors' brightness by a short press of the centre button. The brightness can be adjusted from 10 to 100. Once you have reached the desired brightness, wait 5 seconds and the OSD menu will disappear.



12 Turn on/off video input

When the mirror is in video mode, and none phone is paired, with one short press of the centre button you can switch the active video signal, On or Off. While your phone is paired, a short press of the centre button will activate the voice dial mode.



13 Manual Bluetooth Connection

When you find that your phone is not connected to the rearview mirror, and the screen is turned off, to long press the button is to manually reconnect Bluetooth.



14 Super high brightness screen with auto adjustment

When video from backup camera is displayed on the screen, the screen will automatically adjust brightness with the ambient light. It can ensure that you can see the screen clearly under sunshine when the light is super bright; the screen also can automatically become dimmer, which is enough to protect you from the sudden light from the turned-on screen at night.

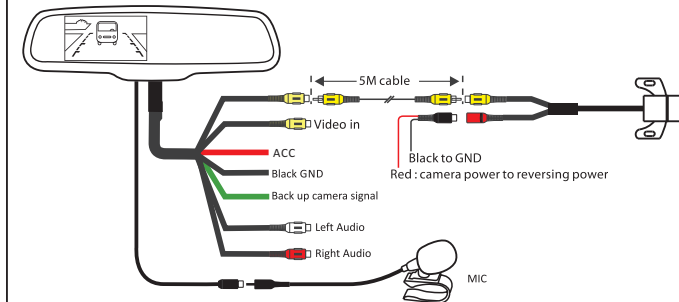


15 Support

Almost all cell phones can be perfectly paired with the Bluetooth monitor. However, individual handset vendor's Bluetooth protocols are special. It will lead to unstable connection with Bluetooth or other unpredictable problems. Therefore, please test whether your phone can be paired with the Bluetooth monitor or not, before purchasing this product.



16 How to connect



17 Specifications

Screen Size	4.3"
Display Screen	TFT-LCD
Display Resolution	480(H)×272(V)
Aspect Ratio	16 : 9
Color Depth	16.7M dithering
Pixel Pitch (mm)	0.219X0.219
Power Consumption	8W
Working Voltage	DC 12V
Video Input	NTFS/PAL Video input
Signal System	PAL/AUTO/NSTC