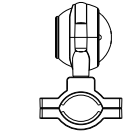


1. Main Parts & Accessories



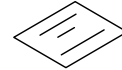
Main Part(1pcs)



L wrench Φ 3.0 mm (1pcs)
L wrench Φ 5.0 mm (1pcs)



3M Glue pad(2pcs)

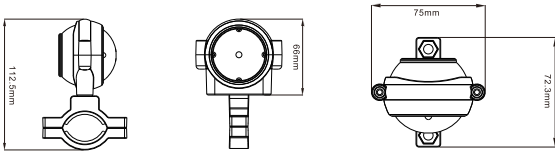


User Manual (1pcs)



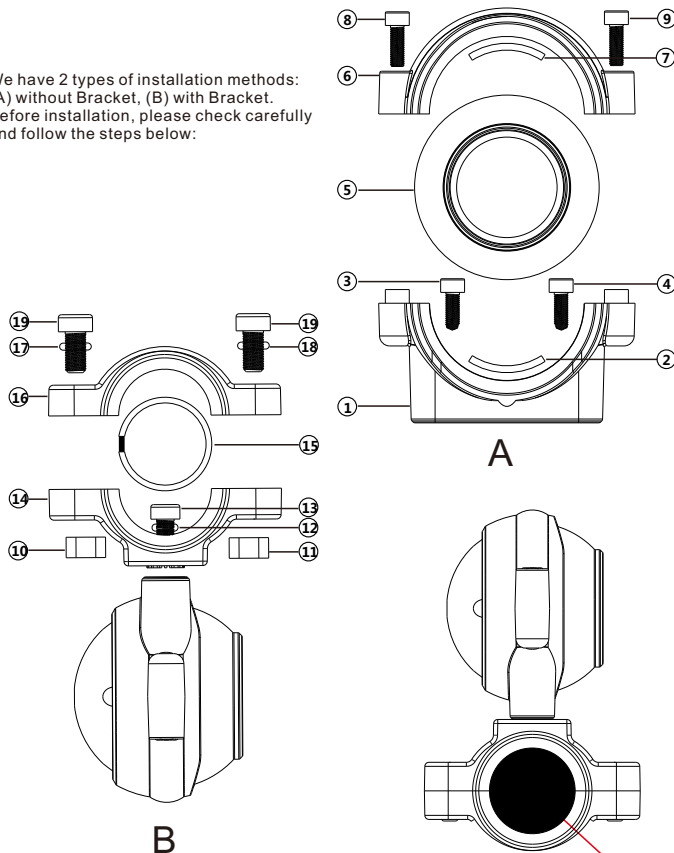
Power Cable(1pcs)

2. Size



3. Installation steps

We have 2 types of installation methods:
(A) without Bracket, (B) with Bracket.
Before installation, please check carefully
and follow the steps below:



Serial number	Part name	Quantity
No.3-No.4	Tapping screw CA5x14mm	2
No.8-No.9	Cup head screw M4*10mm	2
No.10-No.11	Screw nut M6	2
No.13	Cup head screw M6*10mm	1
No.12/No.17-No.18	Antivibration gasket M6	3
No.19-No.20	Cup head screw M6*12mm	2
	Cup head screw M6*16mm	2

4. Connection Diagram

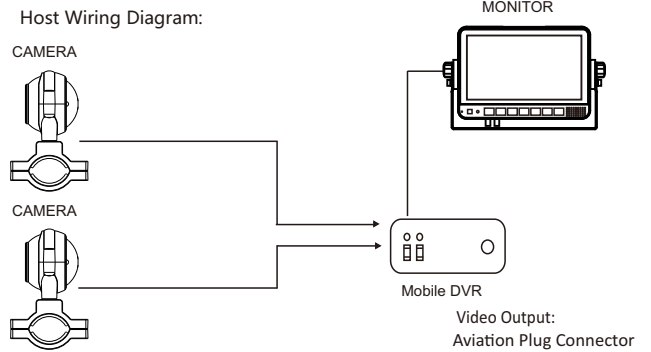


Image Sensor	1/3 " CMOS
Effective Resolution	960 (H) *576 (V)
TV System	PAL/NTSC
Effective Pixel	1000 TVL
Minimum Illumination	Color 0.05Lux; IR ON 0 Lux
S/N Ratio	50dB (AGC OFF)
Day & Night Mode	EXT(AUTO Color B/W)
Auto Gain Control	AUTO
Back Light Comp	AUTO
White Banlance	AUTO
Digital Noise Reduction	2D
Lens	2.8/3.6 mm
Electronic Shutter	AUTO/1/50 (1/60) -1 (100 , 000Sec)
IR Leds Qty	10 PCS
IR Distance	5 m
Waterproof	IP 68
Operating Temperature	-20°C~ +70°C
Power Supply	DC12V±10%
Power Consumption	≤2.5W

Suitable installation pipe diameters are 22mm,26mm,and max 27mm.The other small ones require that the pipe diameter match with the customized 3M silicone pad well.