

CAUTIONS

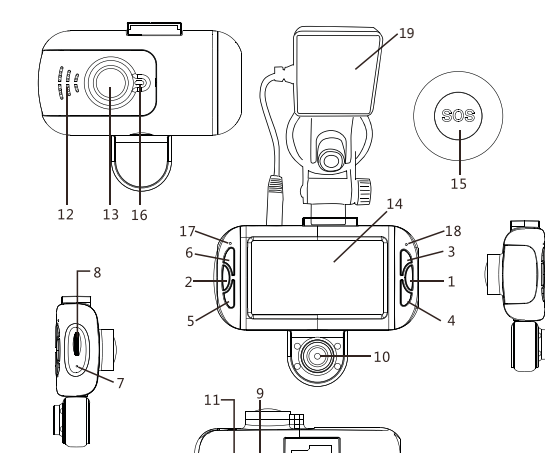
- Please insert micro SD card in the right direction to avoid damage to the card or DASH CAM. If DASH CAM shows error message, please format the micro SD card from DASH CAM menu. Please reset DASH CAM or change micro SD card if similar error continues. Note: All files will be deleted when formatting micro SD card. Please backup the important files before you format. When reset function is selected, the settings will be returned to default setting.
- Recommended micro SD card : CLASS 10 or above micro SD card. Micro SD card specification varies from one brand to another and it may not function as expected when using with DASH CAM. Please check upon micro SD's compatibility before you use micro SD card.
- Micro SD card must be formatted before using with DASH CAM. Backup recording files once a week to prevent files from being overwritten. Please format micro SD card once every month for its recording stability.
- Please make sure the suction cup is mounted properly and firmly on the windshield to avoid any damage to DASH CAM and to have better recording angle.
- Battery life-span will continuously decrease upon usage. Please charge battery once every month to preserve the battery life.
- Please do not use DASH CAM in a wet environment as DASH CAM is not waterproof or water resistant.
- Please do not record or take picture in a direct sunlight.
- To obtain clear images, please clean the windshield and DASH CAM lens on a regular basis. Avoid using DASH CAM in a dusty environment.
- Please handle DASH CAM with care. Avoid using DASH CAM in a high electromagnetic environment.
- Operating temperature of DASH CAM is -4°F to 140°F. Continuous exposure to sunlight, especially when DASH CAM is mounted in a vehicle where temperature exceeds above 158°F, may result in DASH CAM mal-function, color change, housing and image distortion.

CAUTIONS

This device is NOT intended to be used for illegal purposes; surveillance shall not be used in any form as evidence for claim purposes. Some countries prohibit drivers from mounting anything on the windshield, or restrict mounting to specific areas of the windshield. It is the owner's responsibility to mount the device in compliance with local laws. Errors may occur depending on the surrounding environment and the voltage of the car. Company is not liable or responsible for non-recorded event, missing files and others. Company will not be liable for any damage incurred directly or indirectly from errors, omissions, or discrepancies.

Do not operate the device while driving. Using this device does not change the requirement for a driver to take full responsibility for his or her behavior. This responsibility includes observing all traffic rules and regulations in order to avoid accidents, personal injury or property damage.

Structure



- 1.OK/REC
- 2.Menu
- 3.Up
- 4.Down
- 5.Mode
- 6.ON/OFF
- 7.Reset Hole
- 8.TF card slot
- 9.USB Port
- 10.Rearview lens
- 11.GPS port
- 12.Speaker
- 13.Front lens
- 14.LCD screen
- 15.SOS Controller
- 16.Working Indicator
- 17.Recording Indicator
- 18.Charging Indicator
- 19.GPS Module

Function

A. On/Off

1. Power On
Press and hold **OK** button to turn on DASH CAM. DASH CAM will be entered into video recording mode and start recording automatically. When DASH CAM is connected to a car charger, it will start recording automatically. When DASH CAM is unplugged from the car charger, DASH CAM will automatically save the current file and be shut down in 5 seconds.
Note: The LCD screen will display 'Please insert SD card' when Micro SD card isn't inserted.

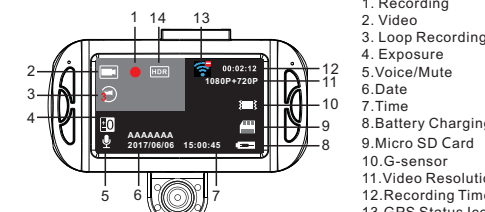
2. Power Off
Press and hold **OK** button to turn off DASH CAM.
Note: When the battery is low, DASH CAM will display 'Low Battery'. Then, DASH CAM will automatically save the current file and will be shut down.

B. Battery Charging

When the battery is charging, the battery charging indicator will be on. Once it is fully charged, it will be off.

C. Video

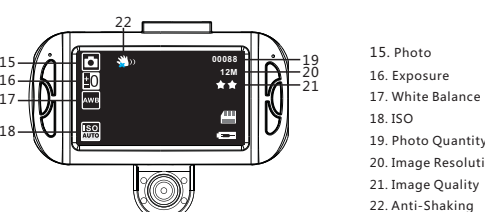
Press and hold **OK** button to turn on DASH CAM. DASH CAM will be entered into video recording mode and start recording automatically. Press **OK** to stop recording and save the current file. DASH CAM will be entered into standby mode. In standby mode, press **OK** button to restart recording and press it again to pause.
During video recording mode, press **OK** to turn on or turn off sound.



- 1. Recording
- 2. Video
- 3. Loop Recording
- 4. Exposure
- 5. Voice/Mute
- 6. Date
- 7. Time
- 8. Battery Charging Icon
- 9. Micro SD Card
- 10. G-sensor
- 11. Video Resolution
- 12. Recording Time
- 13. GPS Status Icon
- 14. HDR

D. Photo

Press **OK** to enter into photo mode. Press **OK** to take any picture.



- 15. Photo
- 16. Exposure
- 17. White Balance
- 18. ISO
- 19. Photo Quantity
- 20. Image Resolution
- 21. Image Quality
- 22. Anti-Shaking

E. Playback and Delete

During video standby mode, press **OK** twice to enter into video playback mode. Press **OK** / **Left** to select the file. **OK** is used for play or pause. When a video is playing, press **OK** to stop. Tap **Left** / **Right** to fast forward or reverse. Depending on how many times you tap **Left** / **Right**, DASH CAM will fast forward or reverse to 2x, 4x, and up to 8x. If you want to delete files, press **OK** to be entered into Delete mode. Press **Left** / **Right** to select 'delete current' or 'delete all' and press **OK** to confirm it. Press **Left** / **Right** to exit and go back to video playback mode.

F. G-Sensor

When an impact is detected, G-sensor will be activated to save and protect the current video clip from being overwritten. G-Sensor is consisted of three grades setting (high, medium, low).

G. SOS

While recording, tap **OK** or SOS Telecontroller to save the current video from being overwritten.

H. Digital Zoom

Tap **Left** to zoom in up to 4x and tap **Right** to zoom out to 1:1.

I. Switch Lens

In recording/standby mode, press **OK** to switch lens.

J. Parking Monitoring

Parking Monitoring can be set to trigger recording when a vehicle is parked and powered off and an impact is detected through the G-Sensor. Please set Parking Monitor ON in settings menu. You will notice **OK** on the screen. When a vehicle is powered off, DASH CAM will be turned off accordingly. When DASH CAM detects an impact, it will be turned on to start recording automatically for 10 seconds and then will be turned off. In case of continuous impact, DASH CAM will keep recording the event. Press and hold **OK** to turn on/off parking monitor when DASH CAM is turned on.

K. Time Lapse Record

Time lapse record is to save memory capacity. In standby mode, tap **OK** to enter into the setting menu and press **Left** / **Right** to select Time-lapse Record. Press **OK** to select "Off/100ms/200ms/500ms" to activate this function. Tap **OK** to exit the setting menu.

- 1 -
- 2 -
- 3 -
- 4 -
- 5 -
- 6 -

L. Motion Detection

In video standby mode, tap **OK** to enter into setting menu, then press **Left** / **Right** to select motion detection and press **OK** to turn on motion detection. When DASH CAM detects any movement, it starts to record with a flashing green indicator. When no movement is detected for 10 seconds, DASH CAM will stop recording and it will be back to video standby mode. Factory default setting is OFF.

M. Car License Plate Number

Go to car license plate number setting menu to input your car license plate number. The first character can only be alphabet. The following characters can be alphabets or numbers. Press **Left** / **Right** to select among 0-9 or A-Z. Press **OK** to confirm and go to the next one. Press **Left** to exit.

N. GPS Tracking

A. Insert G-MOUSE into DASH CAM.
B. You will notice a **OK** icon appearing on the top of screen when DASH CAM successfully locates GPS.
In case of no GPS signal, you will notice a **OK** icon.
C. The current driving track and coordinates will be displayed on a Player.
Go to Update time of GPS setting menu to select a proper time zone. When DASH CAM locates GPS successfully, DASH CAM's current time will be synchronized with GPS satellite time.

O. System Setting

In standby mode, press **OK** to enter into system setting. Press **Left** / **Right** to select the setting item and press **OK** to confirm it. Press **Left** / **Right** to exit it out.

Mode	Category	Sub-Category	Remarks
Resolution		1080P	1440x1080
		720P	1280x720
Loop Recording	Off/3mins/5mins/10mins		Factory default: 3mins
Time Lapse Record	Off/100MS/200MS/500MS		Factory default: Off
HDR	Off/On		Factory default: On
Exposure	+2.0, +5/3, +4/3, +1.0, +2/3, +1/3, +0.0, -1/3, -2/3, -1.0, -4/3, -5/3, -2.0		Factory default: +0.0
Motion Detection	Off/On		Factory default: Off
Record Audio	Off/On		Factory default: On
Date Stamp	Off/On		Factory default: On
Plate Number	Off/On		Factory default: On
Gravity Sensor	Off / Low sensitivity / Medium sensitivity / High sensitivity		Factory default: Medium sensitivity
Parking Monitoring	Off/On		Factory default: Off
GPS	Off/On		Factory default: On
Daylight Saving Time	Off/On		Factory default: Off

Update time of GPS	Factory default
00:00GMT-12:00GMT-11:00GMT-10:00GMT-09:00GMT-08:00GMT-07:00GMT-06:00GMT-05:00GMT-04:30GMT-04:00GMT-03:30GMT-03:00GMT-02:00GMT-01:00GMT+00:00GMT+01:00GMT+02:00GMT+03:00GMT+03:30GMT+04:00GMT+04:30GMT+05:00GMT+05:30GMT+05:45GMT+06:00GMT+06:30GMT+07:00GMT+08:00GMT+09:00GMT+09:30GMT+10:00GMT+11:00GMT+12:00GMT	GMT-08:00

Capture Mode	Factory default
Single/2sec/5sec/10sec	Single

Resolution	Factory default
12M/10M/8M/5M/3M/2M/HDVGA/1.3M	5M

Sequence	Factory default
Off/On	Off

Quality	Factory default
Fine/Normal/Economy	Normal

Sharpness	Factory default
Strong/Normal/Soft	Normal

White Balance	Factory default
Auto/daylight/indoor/fluorescent	Auto

Color	Factory default
Color/Back & White/Seple	Color

ISO	Factory default
Auto/100/200/400	Auto

Exposure	Factory default
+0.0, -1/3, -2/3, -1.0, -4/3, -5/3, -2.0, +2.0, +5/3, +4/3, +1.0, +2/3, +1/3	+0.0

Anti-Shaking	Factory default
Off/On	Off

Quick Review	Factory default
Off/2seconds/5seconds	Off

Date Stamp	Factory default
Off/Date/Date/Time	Time

Delete	Factory default
Delete current/Delete all	

Protect	Factory default
Lock Current/Unlock Current/Lock All/Unlock All	

Slide Play	Factory default
2sec/5sec/8sec	MMDDYYDDMMYYYYMMDD

Date/Time	Factory default
MMDDYYDDMMYYYYMMDD	MMDDYYDDMMYYYYMMDD

Auto Power Off	Factory default
Off/3mins/5mins/10mins	Off

Beep Sound	Factory default
Off/On	On

Language	Factory default
English/Français/Español/Portugués/Deutsch/Italiano/ 简体中文/繁體中文/Русский/日本語/한국어	English

Frequency	Factory default
50Hz/60Hz	60Hz

Format	Factory default
All data will be deleted/Cancel/OK	

Screen Saver	Factory default
Off/30sec/1min/2mins	1min

Lamp setting	Factory default
Day Mode/Night Mode	Day Mode

Delay Shutdown	Factory default
Off/5s/10s/30s	5s

Default Setting	Factory default
Return menu setting to default/Cancel/OK	

Version	Factory default
Current version	

P. Computer Connection

To download Video and Photo.

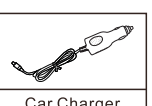
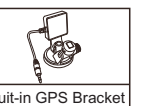
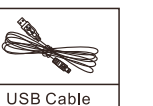

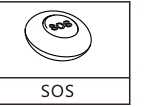
- Connect DASH CAM to a computer through USB cable. The screen will be displayed with an option of Mass Storage and PC Camera.
- Select Mass Storage to find recorded files inside Micro SD card.
- Select PC Camera to find photos.

Specification

Specification may update without prior notice.

Screen	3.0" TFT LCD screen
Video Resolution	Single lens recording: 1920*1080P 30fps 11280*720P 30fps 848*480P 30fps(640*480 30fps(front lens); 1280*720P 30fps(rearview lens))
Video Format	MOV
Photo Resolution	Dual lens recording: 1440*1080P 30fps(front lens); 1280*720P 30fps(rearview lens)
Viewing Angle	170° diagonal for front lens; 120° diagonal for rearview lens
Video Format	MOV
Photo Format	JPG
G-sensor	Support
SOS	Support
GPS Tracking	Support
Motion Detection	Support
Parking Monitoring	Support
Loop Recording	Support
Car License Plate Number	Support
Microphone/Speaker	Support
Memory Card Capacity	Max. support 64GB(class 6 or class 10 or above suggested)
Frequency	50HZ/60HZ
Input	5V/1A
USB Type	Micro USB
Battery Capacity	600mAh
Language	English/Français/ Español/Portugués/Deutsch/Italiano/ 简体中文/繁體中文/Русский/日本語/한국어

Accessories

- 7 -
- 8 -
- 9 -
- 10 -
- 11 -
- 12 -

Vision Tech America, Inc.
 1452 E. Valencia Dr.
 Fullerton, CA 92831
 Tel: 888-941-3060
 For technical support contact 888-941-3060 or email info@visiontechamerica.com WWW.VISIONTECHAMERICA.COM