



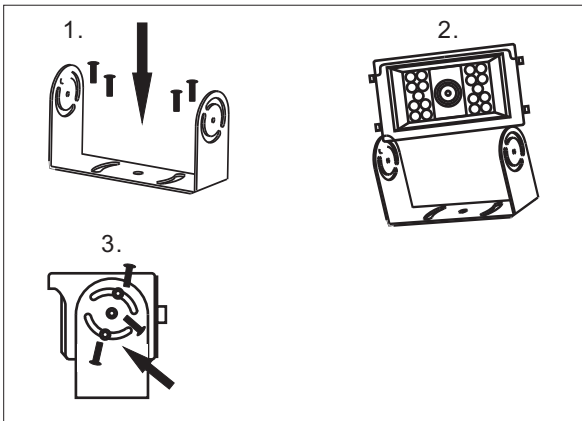
VTB301MA

## 1. System Overview

- Weatherproof and water resistant (IP69K approved)
- Image device: 1/3" SHARP CCD
- Mirror / Normal image switch
- 360 deg. adjustable mounting angle
- Integrated microphone
- Minimum illumination: 0 Lux (Infrared lamps on)
- Nightvision distance: approx. 49.2ft (4 infrared lights)
- Wider viewing angle up to 120 deg.
- Day / night sensor for automatic adjustment

## 2. Installation

- A. Install the VTB301 camera in the desired location, as follows:
1. Fasten the camera mounting bracket, using 4 self-tapping Philips screws, to the desired mounting surface, as shown in Picture 1.
  2. Position the camera in the camera mounting bracket, as shown in Picture 2.
  3. Adjust the camera to the proper angle, and then attach the camera to the camera mounting bracket using the supplied hex-head machine screws (with washers) as shown in Picture 3.

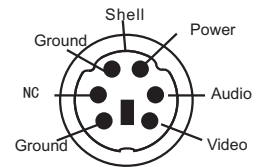


- B. Route the extension cable from the camera location to the location of the output device (not supplied), such as a monitor or switcher.

- C. Insert the male connector of the extension cable into the appropriate female audio/video port of the output device (not supplied), such as a monitor or switcher.

## 3. Normal / Mirror Selector

- A. Put a screw-driver into the hole on the back of the camera.
- B. Rotate the screw-driver to shift between normal and mirror.



## 4. Specifications

Image Device	1/3" SHARP SENSOR CCD
TV System	NTSC
Effective Pixels	976*494 pixels
Pixel Pitch	5.0µm*7.4µm
Sync. System	Internal
Resolution	600TV lines
Minimum Illumination	0 Lux
Microphone	Yes
Video Output	1.0vp-p, 75Ohm
AGC	Auto
S/N Ratio	Better than 48dB
White Balance	Auto
Electronic Shutter	1/60~1/100,000 second
Current Consumption	Max. 300mA
BLC	Auto
Power Supply	DC12V
Operating Temperature	-22°F ~ 158°F, Rh95% max.
Storage Temperature	-40°F ~ 176°F, Rh95% max.
Lens	f= 2.8mm/F = 2.0
Lens Angle	120°

## 5. Accessories

Screws, allen wrench, 65.6ft cable (6pin mini din to RCA), manual, warranty card and registration card