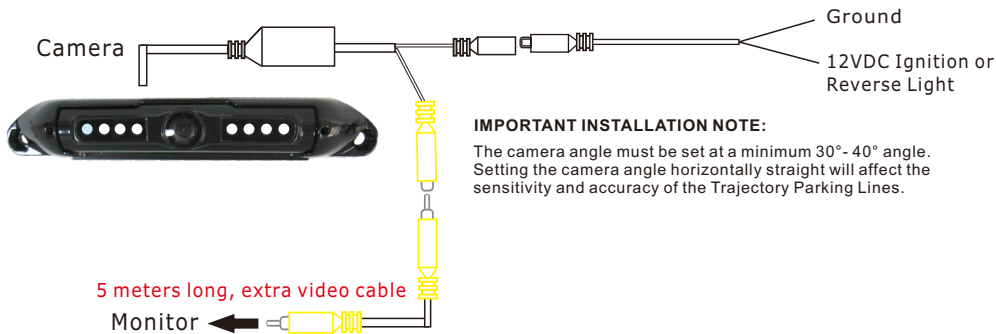


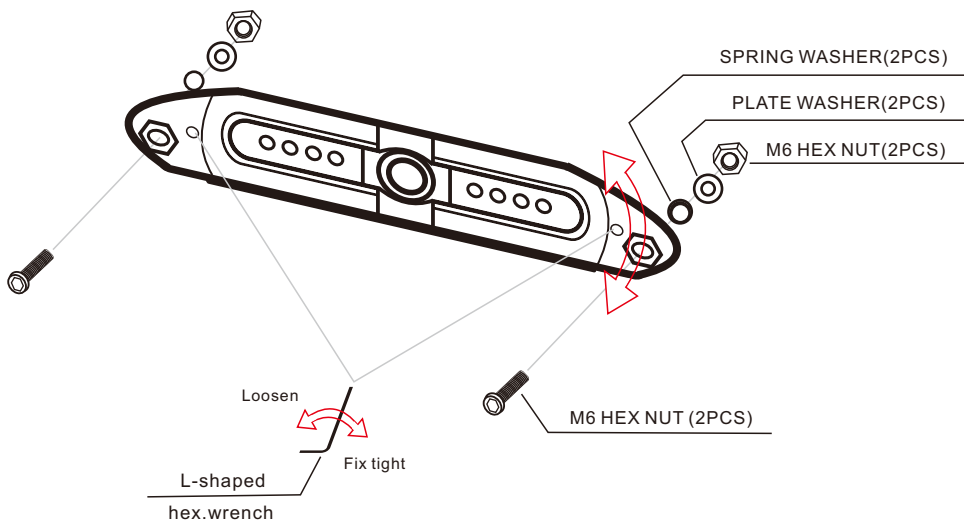
1.SPECIFICATION

- *Trajectory Parking Lines
- *IR Night Vision
- *0.5 LUX IR Off
- *175° Wide View Angle
- *Adjustable Camera Angle
- *IP 67 Waterproof Rating

2.Wiring Installation Guide



3.Mounting Installation



Loosen the allen screws to adjust the camera angle up and down. Then, lock it in place.