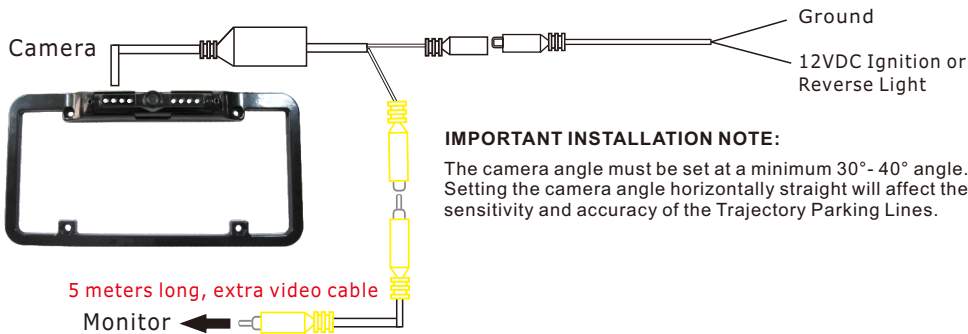


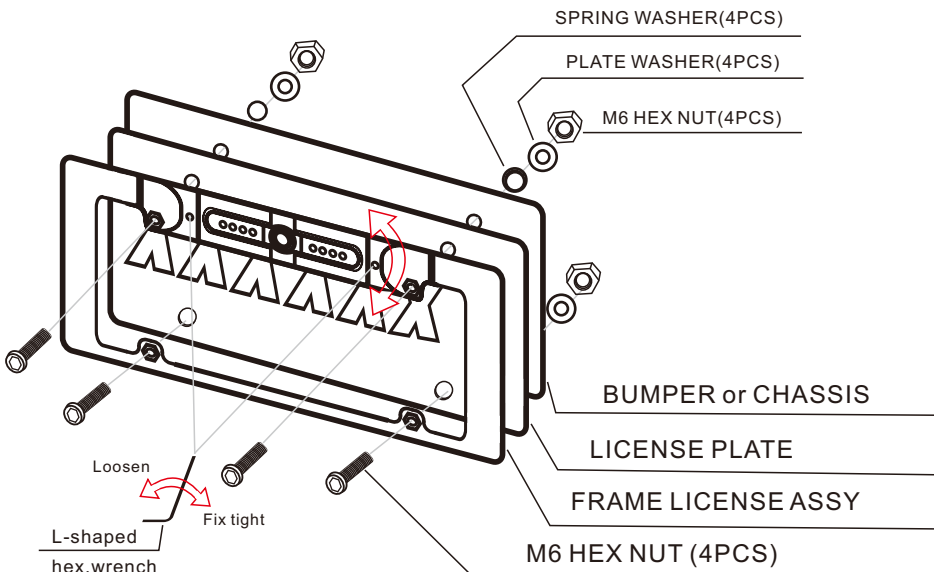
## 1.SPECIFICATION

- \*Trajectory Parking Lines
- \*IR Night Vision
- \*0.5 LUX IR Off
- \*175° Wide View Angle
- \*Adjustable Camera Angle
- \*IP 67 Waterproof Rating

## 2.Wiring Installation Guide



## 3.Mounting Installation



Loosen the allen screws to adjust the camera angle up and down. Then, lock it in place.