



# Slim Rear View Camera

INSTRUCTION MANUAL

\* Model  VTL275LTJ  VTL375LTJ  
 VTL405LTJ  VTL425LTJ

**BOYO**  
Vision Tech America, Inc.  
1452E Valencia Dr, Fullerton, CA 92831  
Ph: 888-941-3060

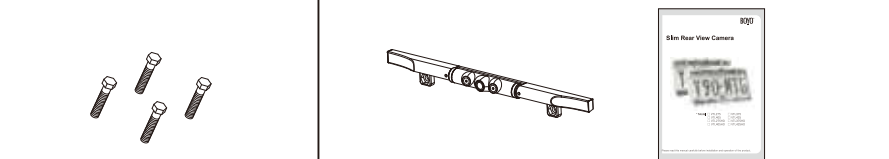
www.visiontechamerica.com

## Table of contents

1. Package	3-4
2. Limited time warranty	5
3. Care instructions	5
4. Key Features	5
5. Dimension (inch) & Wiring	6-7
6. Specification	8

### 1. Package

1-1. VTL275LTJ / VTL375LTJ



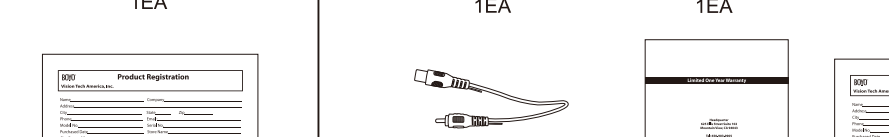
Slim Rear View Camera 1EA  
Instruction manual 1EA  
M6 Hex bolt 4EA



Spring washer 4EA  
Flat washer 4EA  
M6 Hex nut 4EA



1.5 ØL-Wrench 1EA  
Adaptor cable 1EA  
6 ØTube 1EA



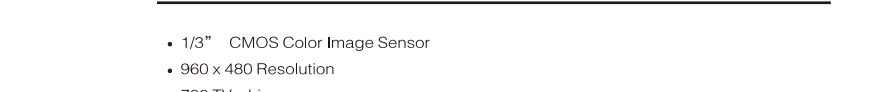
23ft Extension cable 1EA  
Warranty card 1EA  
Registration card 1EA

### 1. Package

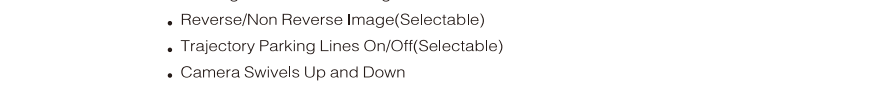
1-2. VTL405LTJ / VTL425LTJ



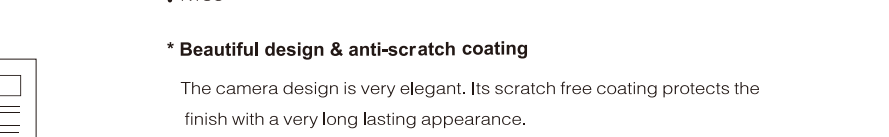
Slim Rear View Camera 1EA  
Instruction manual 1EA  
M6 Hex bolt 2EA



Spring washer 2EA  
Flat washer 2EA  
M6 Hex nut 2EA



1.5 ØL-Wrench 1EA  
Adaptor cable 1EA  
6 ØTube 1EA



23ft Extension cable 1EA  
Warranty card 1EA  
Registration card 1EA

### 2. Limited time warranty

Limited time warranty applies only if care instructions are followed regularly. In the event of defective product or workmanship, please return the item to place of purchase.

### 3. Care instructions

Periodically the mounting frame's appearance may need maintenance. Please take the following action to restore its original brilliant luster. Use non-abrasive mild soap detergent and water only to clean.

### 4. Key Features

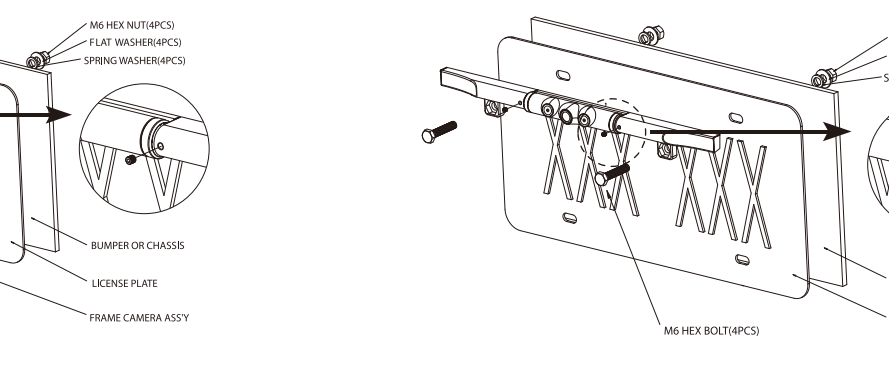
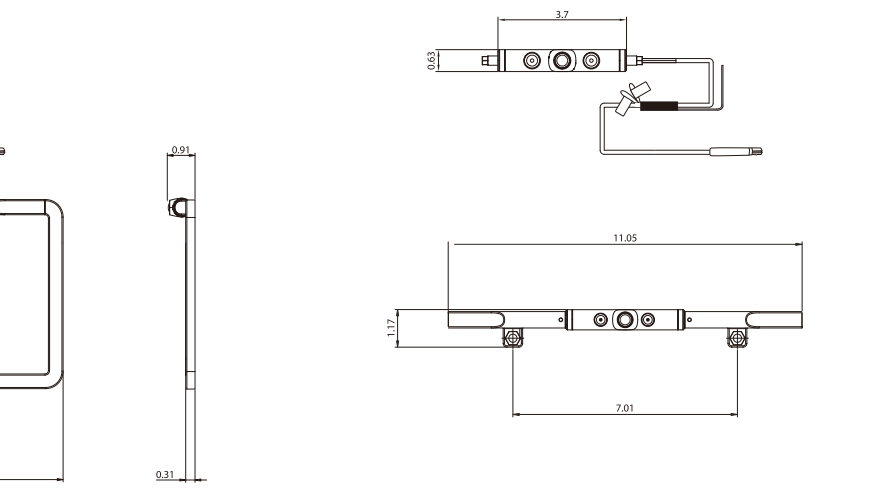
- 1/3" CMOS Color Image Sensor
- 960 x 480 Resolution
- 700 TV Lines
- 175 degree Wide Viewing Angle (D)
- Minimum Illumination 0 Lux at F2.0
- LED Lights For Excellent Night Vision
- Reverse/Non Reverse Image (Selectable)
- Trajectory Parking Lines On/Off (Selectable)
- Camera Swivels Up and Down
- IP68 Waterproof Rating
- 24ft Video Extension Cable
- Voltage Tolerance: 7VDC-32VDC
- NTSC

### \* Beautiful design & anti-scratch coating

The camera design is very elegant. Its scratch free coating protects the finish with a very long lasting appearance.

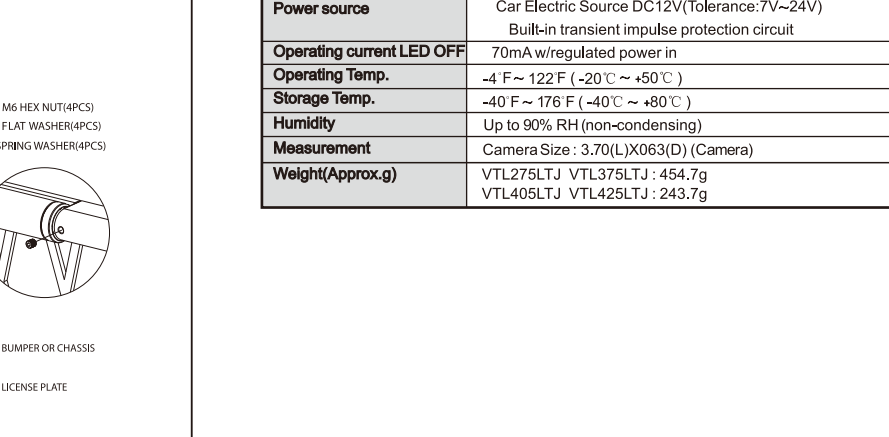
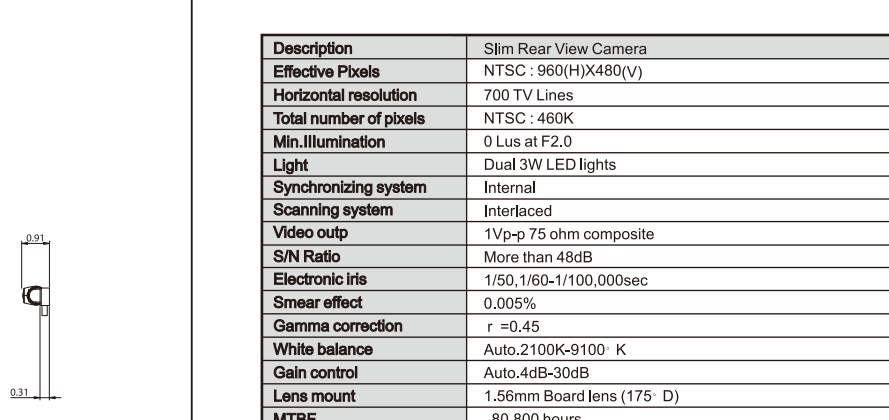
### 5. Dimension (inch) & Wiring

5-1. VTL275LTJ / VTL375LTJ



### 5. Dimension (inch) & Wiring

5-2. VTL405LTJ / VTL425LTJ



### 6. Specification

6-1. VTL275LTJ / VTL375LTJ / VTL405LTJ / VTL425LTJ

<b>Description</b>	Slim Rear View Camera
<b>Effective Pixels</b>	NTSC : 960(H)x480(V)
<b>Horizontal resolution</b>	700 TV Lines
<b>Total number of pixels</b>	NTSC : 460K
<b>Min. Illumination</b>	0 Lux at F2.0
<b>Light</b>	Dual 3W LED lights
<b>Synchronizing system</b>	Internal
<b>Scanning system</b>	Interlaced
<b>Video output</b>	1Vp-p 75 ohm composite
<b>S/N Ratio</b>	More than 48dB
<b>Electronic iris</b>	1/50, 1/60-1/100, 0.000sec
<b>Smear effect</b>	0.005%
<b>Gamma correction</b>	r = 0.45
<b>White balance</b>	Auto, 2100K-9100 K
<b>Gain control</b>	Auto, 4dB-30dB
<b>Lens mount</b>	1.56mm Board lens (175° D)
<b>MTBF</b>	80,800 hours
<b>Power source</b>	Car Electric Source DC12V (Tolerance: 7V~24V) Built-in transient impulse protection circuit
<b>Operating current LED OFF</b>	70mA w/regulated power in
<b>Operating Temp.</b>	-4 F ~ 122 F (-20°C ~ +50°C)
<b>Storage Temp.</b>	-40 F ~ 176 F (-40°C ~ +80°C)
<b>Humidity</b>	Up to 90% RH (non-condensing)
<b>Measurement</b>	Camera Size : 3.70(L)x0.83(D) (Camera)
<b>Weight (Approx. g)</b>	VTL275LTJ / VTL375LTJ : 454.7g VTL405LTJ / VTL425LTJ : 243.7g

### MEMO

### MEMO

### MEMO

### MEMO

### MEMO

### MEMO

### MEMO

### MEMO

### MEMO

### MEMO