

Rear View Camera

INSTRUCTION MANUAL



Vision Tech America, Inc.
1452 E.Valencia Dr, Fullerton, CA 92831
Ph:888-941-3060

* Model VTL275HDL VTL375HDL
 VTL405HDL VTL425HDL

Before Use/ Installation Procedure

WARNING

- Installation and wiring of this product require specialist skill and experience. To assure your safety, please request a specialist technician to install the unit.

CAUTION

To prevent damage to the product, take the following precautions:

- Make sure to ground the unit to a negative 12V DC power supply.

Caution:

1. Be careful that people are not exposed to the product as they generate heat over a long period of time when LED is powered on.
Exposing a part of your hand close to the heat from the product may cause a burn.
2. Do not see the LED light directly, it may cause a blindness.
3. The colored guide lines on the display screen indicate vehicle width and approximate distances to objects with reference to the vehicle body line.
4. There are some areas where the system will not show objects.
5. The distance between objects viewed on the display screen may differ from the actual distance.
6. Install so that it does not obstruct the rear field of view.
7. Do not perform installation in rain or fog.
8. When humidity is high, dry the surface to which the unit is to be attached before installing.
9. Do not apply water to the unit.
10. Do not expose the unit to rain.
11. Do not subject the camera to unnecessary force.

NOTE

- This product is a rear view camera for checking the view at the rear of a car.
- This product is designed to supplement the driver's rear view, but the camera images do not show all dangers and obstacles.
Be sure to look behind you when reversing to confirm the view.
- This product features a wide-angle lens, so the near view is wide and the far view is narrow, which may create a false sense of distance. Be sure to look behind you when reversing to confirm the view.
- Do not wash your car with an automatic car wash or high-pressure water as it may result in water entering the camera or the camera falling off.
– If the rear view camera comes loose while you are driving it may cause an accident.
- Before finally installing the unit, connect the wiring temporarily, making sure it is all connected up properly, and the unit and the system work.
- Do not mount this unit near the heater outlet, where it would be affected by heat, or near the doors, where rainwater might splash onto it. (Never install in locations such as the above because of the danger of malfunction due to high temperatures.)
- Before drilling any mounting holes always check behind where you want to drill the holes. Do not drill into the gas line, brake line, electrical wiring or other important parts.

Care and maintenance

- When the product gets dirty, wipe dry with a silicon cloth or soft cloth. If it is seriously stained, remove stain with a cloth moistened with a neutral cleaner and then wipe the cleaner away. Do not use a hard cloth and/or a volatile substance such as lacquer thinner or alcohol, scratches, deformation, degradation and/or damage may result.
- When a lens component gets dirty, wipe gently with a soft cloth moistened with water. Do not rub with a dry cloth to prevent scratching the lens.

Table of contents

1. Package -----	5
2. Recommended Installation Position -----	6~7
3. Wire Connections -----	8
4. Camera Setting -----	9
5. How to use remote controller -----	10~11
6. Dimension(inch)-----	12~13
7. Specification-----	14

Vision Tech America, Inc.

Limited One Year Warranty

This limited warranty is given to the end-user or the retail purchaser (referred to this warranty as "Original Purchaser") that it will be free from defects in material and workmanship for a period of one year from the date of the purchase of the new product (excluding accessory items such as power cords, cradle, memory card, adaptor and cables).

A copy of the original proof of purchase and this warranty card with RMA number given by Vision Tech America, Inc. is required to receive warranty service. In the unlikely event that the new product should fail due to defect in material or workmanship, Vision Tech America, Inc. will repair or replace the entire product, where each party will be responsible for one-way shipping.

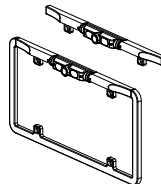
This limited warranty does not cover any physical damage to this product, damage caused by improper installation; improper use; misuse; neglect; repair of cracked, scratched, broken or modified cosmetics; or parts that have been altered or removed; damages done by another device used with this product resulting from use of non Vision - brand parts. This warranty is VOID if you purchased this product as used, floor model sample, or refurbished; if the product has been altered or modified in any way (including but not limited to attempted repair without authorization from Vision - Vision Tech America, Inc. and/or alteration/removal of the serial number). This limited warranty does not cover the vehicle of any damages or liabilities in which this product is installed or being installed. This product does not guarantee avoidance of vehicle collision or accident.

If you think your product is eligible for warranty service, report to Vision Tech America, Inc. at 888-941-3060 or email: info@boyvta.com to receive an RMA Number with further instructions.

Model Number: _____	Name: _____
Serial Number: _____	Your address: _____
Date of Purchase: _____	City: _____
Purchased Store Name: _____	State: _____ Zip: _____
RMA Number: _____	Country: _____

Important: To send defective product for warranty service, you must receive RMA (Return Material Authorization) and include original proof of purchase and this warranty card with the shipment.

1. Package



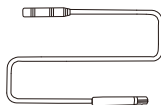
Camera x1



Spring washer x4



1.5Ø L-Wrench x1



23ft Extension cable x1



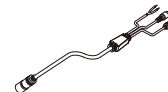
3M double face paster x1



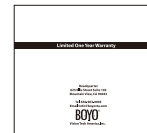
manual x1



Plate washer x4



Adaptor cable x1



Warranty card x1



M6 Hex bolt x4



M6 Hex nut x4



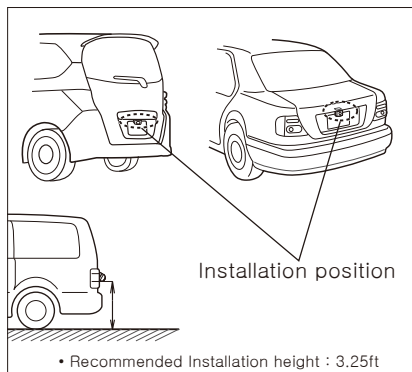
Remote controller x1



Registration card x1

2. Recommended Installation Position

2-1 Examples of correct camera installation



1. Decide the camera installation position.

2. Clean the camera installation surface.

Using a commercially available cleaner, wipe dirt, moisture and oil away from the surface on which the camera is to be attached.

3. Mount the camera on the license plate.

4. Fix the camera temporarily with screw.

5. Complete all of the required connections.

6. Display the camera video.

Some video monitors may switch automatically to the external video input function. For details, read the instruction manual for your video monitor.

7. Change the shift lever to the R (Reverse) range to view the image of the rear of the vehicle.

Before viewing the camera, apply the parking brake and chock the wheels so that the vehicle will not move. Otherwise, an unexpected accident may result.

8. Adjust the camera angle so that the rear part of the vehicle or the rear bumper is visible at the bottom of the monitor screen.

When adjusting the camera angle, be careful not to stretch the camera cord.

9. After adjusting the camera angle, tighten the retaining screws firmly.

Inspect the retaining screws at times. If they are loose, tighten them firmly.

10. Perform the operations in "Camera Setting".

If an adjustment is not possible in the currently available range, change the camera position before retrying.

11. Fix the camera firmly in position.

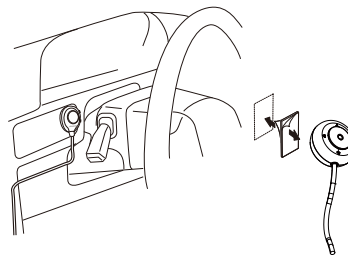
2. Recommended Installation Position

2-2 Installing the Switch Unit

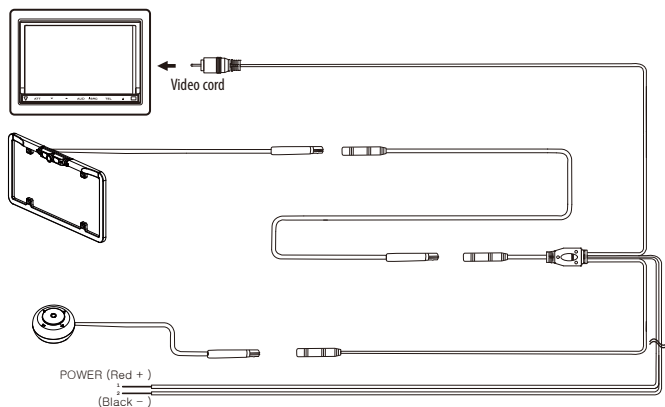
1. Clean the switch unit installation surface.

Using a commercially available cleaner, wipe dirt, moisture and oil away from the surface on which the switch unit is to be attached.

2. Attach double-side adhesive tape on the bottom of the switch unit and then attach it in an easy-to-operate position, for example near the dashboard on the driver seat side.



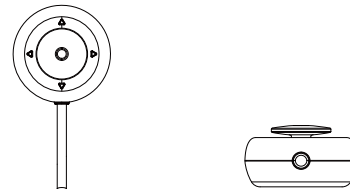
3. Wire Connections



4. Camera Setting

4-1. Switch Unit Operation

The switch unit can be used to switch the image display mode, view/hide the guideline display and adjust the camera.



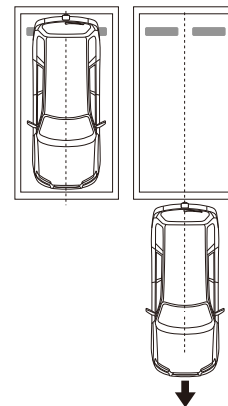
4-2. Preparation Before Camera Setting

1. Stop the vehicle.

In a parking space with white lines and tire stoppers, park the vehicle in the center of the white line frame.

2. Advance the vehicle.

- Move the vehicle forward until the entire parking space can be viewed in the camera image.
- Be sure to apply the parking brake and push the brake pedal so that the vehicle is completely stationary. Perform the setting in a place that will not cause nuisance to other people.



5. How to use remote controller

(LDC On) : Factory default.



STEP1.(Split view left / right) ==> Press SET



STEP2.(LDC + RIGHT view) ==> Press SET



STEP3.(H-2Partition On) ==> Press SET



STEP4.(LDC+Top view On) ==> Press SET



5. How to use remote controller

STEP5.(Mirror On / Off): Factory Default or ==> Press LEFT



STEP6.(Parking line On / Off) ==> Press RIGHT



STEP7.(LED On / Off) ==> Press DOWN

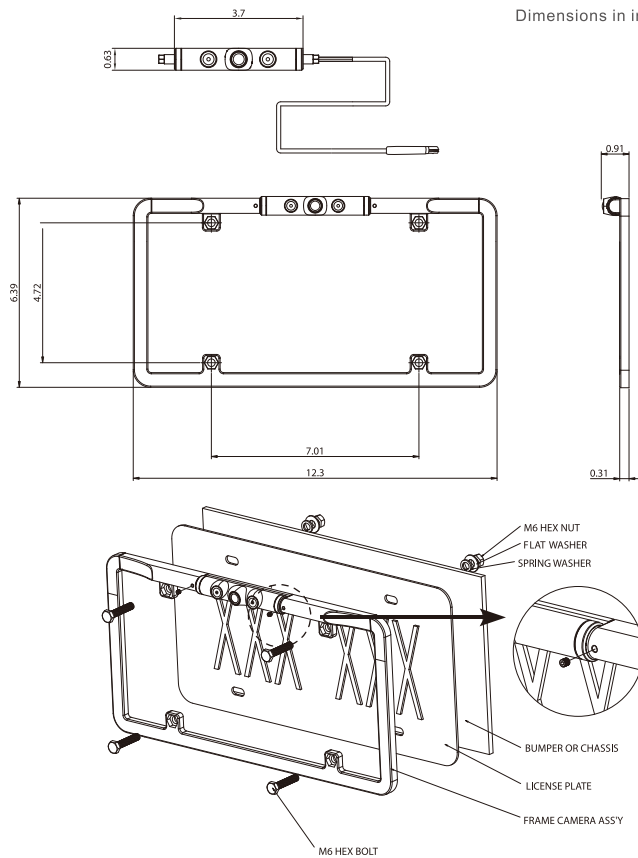


STEP8.(ACCE On / Off) ==> Press UP



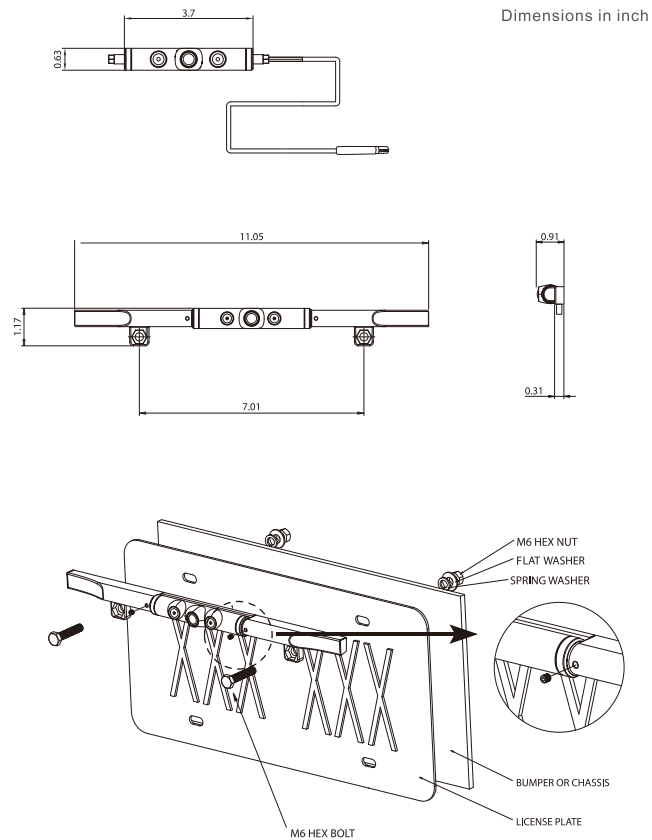
6. Dimension(inch)

Dimensions in inch



6. Dimension(inch)

Dimensions in inch



7. Specification

Model		VTL275HDL_VTL375HDL_VTL405HDL_VTL425HDL
Power source		DC12V(Tolerance : 9VDC-16VDC 70mA(LED Off), 580mA(LED On)
SENSOR	Image sensor	1/3 progressive scan CMOS
	Total Pixel	1280(H) x 960(V)
	Effective Pixels	720(H) x 480(V)
Scanning system		Progressive scan
Resolution		More than 1000TV
S/N Ratio		50dB(AGC OFF)
Min.Illumination		0.2Lux at F1.2(LED Off), 0Lux at F1.2(LED On)
White Balance		AWB(2,000°K ~ 10,500°K)
Smear effect		0.005%
Gamma correction		r=0.45
Shutter Speed		AUTO(1/30 ~ 1/30,000)
LDC		Default ON
LED Control		ON / OFF
Gain Control		AUTO
DNR		ON
ACCE		ON / OFF
Split View left/right		ON / OFF
V-REV(Mirror)		ON / OFF
H-2Partition		ON / OFF
LDC+TOP VIEW		ON / OFF
PLG		ON / OFF
IRIS Control		AUTO
Day & Night		Only COLOR
LENS		1.2mm Board Lens(192° D)
MTBF		20,000 hours
Operation Temperature/Humidity		-10℃ to +50℃ / Under 90% Non-condensing
Storage Temperature/Humidity		-20℃ to +60℃ / Under 90% Non-condensing

* Specifications are subject to change without prior notice for improvement.

MEMO

MEMO

MEMO

MEMO

MEMO

MEMO

MEMO