



Equipment for the Foodservice Industry

value + quality + service

Mega-Top Prep Table

CMDR2-48VC



CMDR2-48VC

Features

Features:

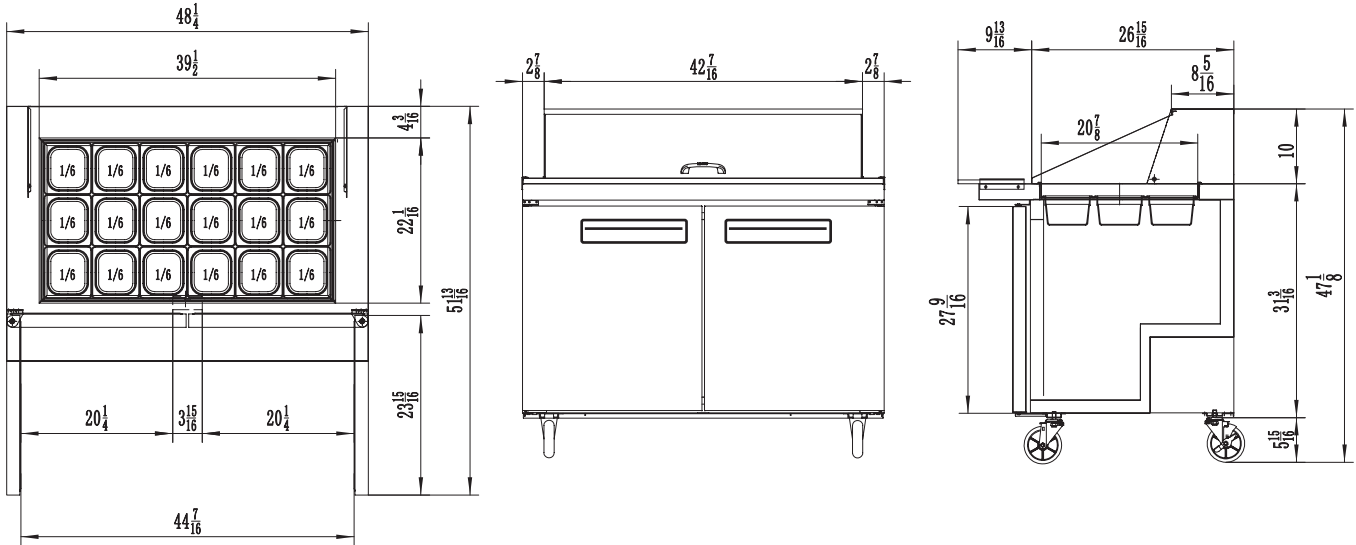
- Front breathing, side mount compressor
- Exterior & interior stainless steel construction
- Environmentally friendly R290 refrigerant
- Heavy duty Embraco compressor
- Self-closing and stay open door
- Efficient refrigeration system
- Recessed door handle
- Standard safety door lock
- Magnetic door gaskets
- Casters for easy movement
- Pre-installed shelves

Warranty:

- Two year parts and labour; Five years on compressor
- Specifications subject to change without notice



CMDR2-48VC Specifications



Model	Refrigrant	Doors	Shelves	Dimension (mm) (inch)			HP	Voltage	Amps	Capacity (L) (Cu Ft.)	Net Weight (KG) (LBS)	Temperature Range
				L	D	H						
CMDR2-48VC	R290	2	2	1225	863	1183	1/6	115/60	2.3	416	110	1 ~ 8°C
				48.2	34.0	46.6				14.7	242	33 ~ 45°F

Equipped with one NEMA 5-15P plug 

Shipping Information

Crate Dimensions (mm) (inch)			Net Weight (KG) (LBS)	Gross Weight (KG) (LBS)
L	D	H		
1280	932	1247	110	133
50.4	36.7	49.1	243	293

Specifications subject to change without notice.