

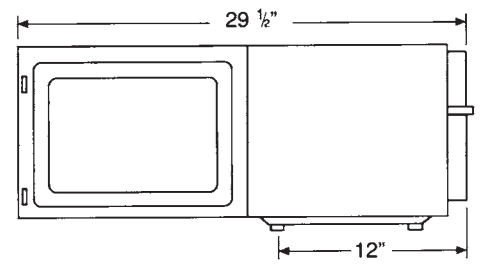
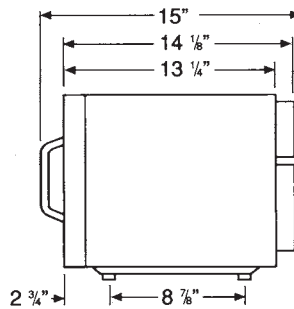
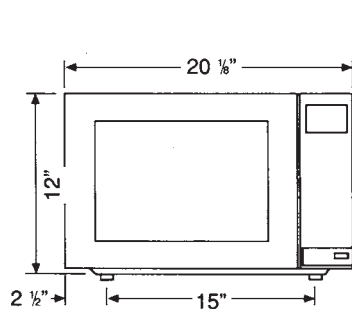


NE-1025

1000 Watt* Commercial Microwave Oven

- Stainless Steel Front
- 1000* Watts of Power
- 6 Minute Electronic Dial Timer
- Auto Reset Feature
- Capacity: 0.8 cubic feet
- "Grab & Go" Door Handle
- Bottom Energy Feed
- Fits One Half-size 6"-Tall Pan with Cover
- Interior Oven Light
- See-Through Oven Door
- Anti-Theft Equipped
- 3 Year Limited Warranty**

** **Limited**, model has 1st year parts and labour warranty, 2nd and 3rd year limited parts warranty on High Voltage transformer and magnetron parts only no labour. Please note 2nd and 3rd year is carry in service, no onsite warranty coverage for 2nd and 3rd year.



Technical Specifications

Power source: 120V, 60Hz, Single phase

Plug Configuration: NEMA 5-15P



Frequency: 2,450MH z

Required power: 13.4 A

Output: 1000 Watts*

Outer dimensions in. (cm): 20¹/₈" (51.1) w x 16¹/₈" (42.1) d x 12" (30.5) h

Cavity dimensions in. (cm): 13" (33) w x 13" (33) d x 8¹/₈" (20.5) h

Net weight: 34 lbs. (15.4 kg)

Shipping weight: 39 lbs. (17.7 kg)

Shipping box size in.(cm): 24"(61) w x 18¹/₄"(47.6) d x 14³/₄"(37.5) h, 3.8 cu.ft.

Timer: 6 Minute Electronic Dial with Auto Reset

To specify a Panasonic Commercial Microwave Oven

The NE-1025 Commercial Microwave Oven meets or exceeds all safety performance and sanitation standards set for commercial food service microwave ovens.

Plus, oven shall have output power 1000 Watts*, stainless steel front and bottom energy feed. Must be equipped with 6 minute electronic dial timer marked in 15 second increments, with auto reset feature instructions and cooking times visible on oven control panel, interior oven lamp, see-through window, door safety lock system.

**IEC705-88 Test Procedure. Specifications subject to change without notice*

Panasonic

Panasonic Canada Inc., 5770 Ambler Drive
Mississauga, Ontario, L4W 2T3 905-238-2267
www.panasonic.ca