



Project _____

Item # _____

Quantity _____

Pop-Up Toasters

Models: TPT-120, -208, -240, -230-4

The Hatco Pop-Up Toasters are economical, fast, dependable and versatile. These toasters are perfect for self-serve buffet areas and lighter volume restaurants, diners and cafes.

Standard features

- Evenly toasts a variety of bread products including bagels, Texas toast, waffles and English muffins
- All models have four self-centering 1.25" (32 mm) extra wide slots.
- Durable stainless steel construction
- Individual progressive color controls
- Removable crumb trays for easy cleaning
- A selector switch for single (or double) sided toasting (excluding TPT-120)
- Unit comes with 6' (1829 mm) cord with plug



Gloss Finishes – Non-standard colors are non-returnable
 – Stainless Steel standard – (TPT-120 only)
 Radiant Red Bold Black



IFS anti-microbial coatings use naturally-occurring, environmentally sustainable, silver ions to help inhibit the growth of microbes on the powder coated surface. See www.hatcocorp.com/antimicrobial-paint for more information.



For operation, location and safety information, please refer to the Installation and Operating Manual.



TPT-120, -208, -240



TPT-230-4 only

HATCO CORPORATION | P.O. Box 340500 Milwaukee, WI 53234-0500 U.S.A. | (414) 671-6350

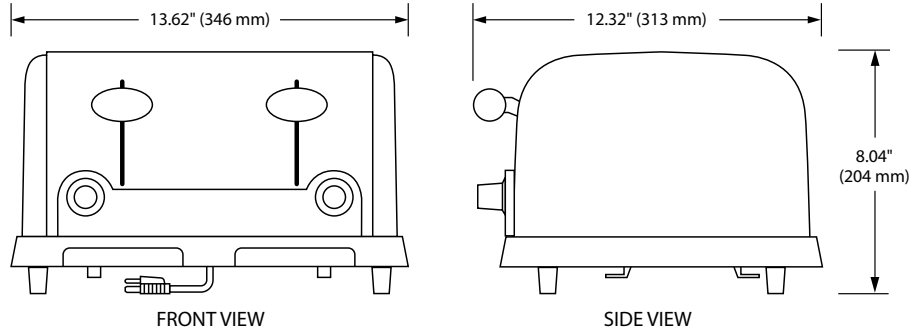


www.hatcocorp.com | support@hatcocorp.com | [Find a Hatco Rep](#) | [Image Library](#) | [Document Library](#) | [Patents](#) | [Chat](#)



Pop-Up Toasters

Models: TPT-120, -208, -240, -230-4



SPECIFICATIONS Pop-Up Toasters

The shaded areas contain electrical information for International models

Model	Dimensions (Width x Depth x Height)	Volts	Phase	Watts	Amps	Plug	Ship Weight*
TPT-120 (US)	13.62" x 12.32" x 8.04" (346 x 313 x 204 mm) Slot Opening: 1.25" x 5.5" x 4.5" (32 x 140 x 114 mm)	120	Single	1800	15.0	NEMA 5-15P	14 lbs. (7 kg)
TPT-120 (CAN)				1440	12.0		
TPT-208		208		2600	12.5	NEMA 6-15P†	16 lbs. (8 kg)
TPT-240		240		2388	10.9	NEMA 6-15P	
TPT-230-4		230 (CE)			10.4	CEE 7/7 Schuko AS 3112	

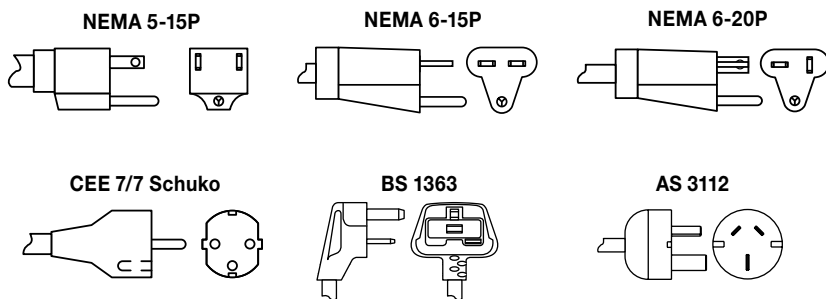
*Shipping weight includes packaging.

† Canadian models use NEMA 6-20P.

CORD LOCATION

Bottom, back center.

PLUG CONFIGURATIONS



PRODUCT SPECS Pop-Up Toasters

The Pop-Up Toaster shall be Model ... rated at ... volts, and ... watts, single phase, by the Hatco Corporation, Milwaukee, WI 53234 U.S.A.

The Toaster shall consist of a rugged stainless steel body with 4 slot openings,

removable crumb trays, resistance wire elements, and a 6' (1829 mm) cord with plug attached.

Warranty consists of 24/7 parts and service assistance (US and Canada only).

HATCO CORPORATION

P.O. Box 340500 Milwaukee, WI 53234-0500 U.S.A. | (414) 671-6350



www.hatcocorp.com

support@hatcocorp.com

[Find a Hatco Rep](#)

[Image Library](#)

[Document Library](#)

[Patents](#)

[Chat](#)