



**EVOTECH**®  
P E R F O R M A N C E

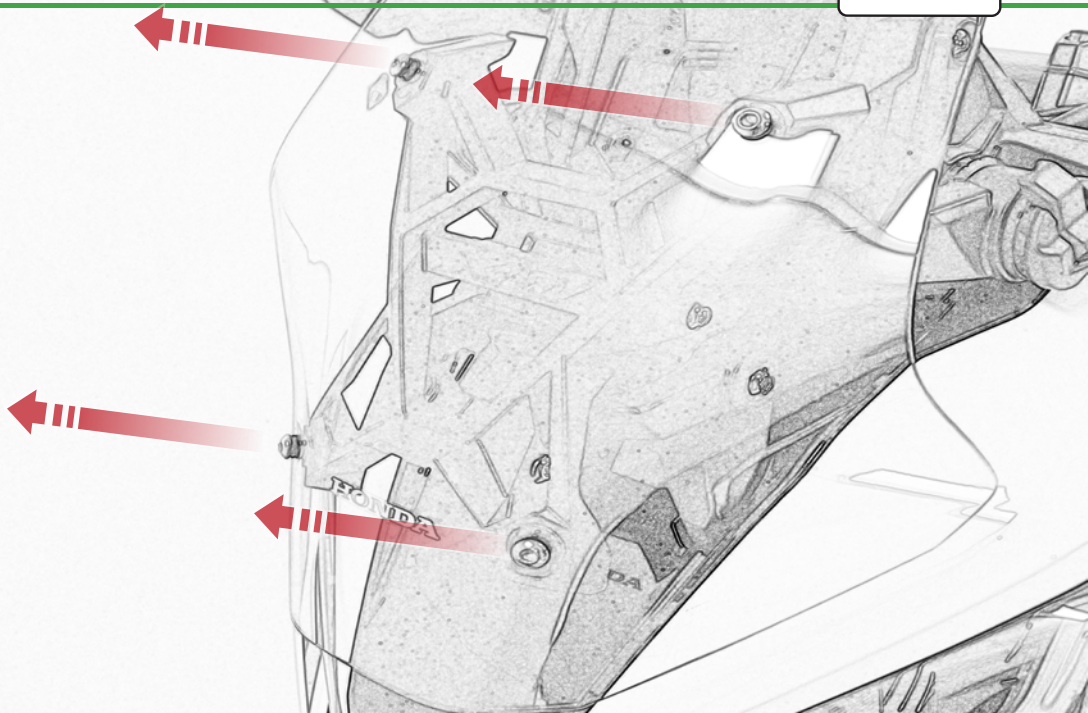
[www.evotech-performance.com](http://www.evotech-performance.com)

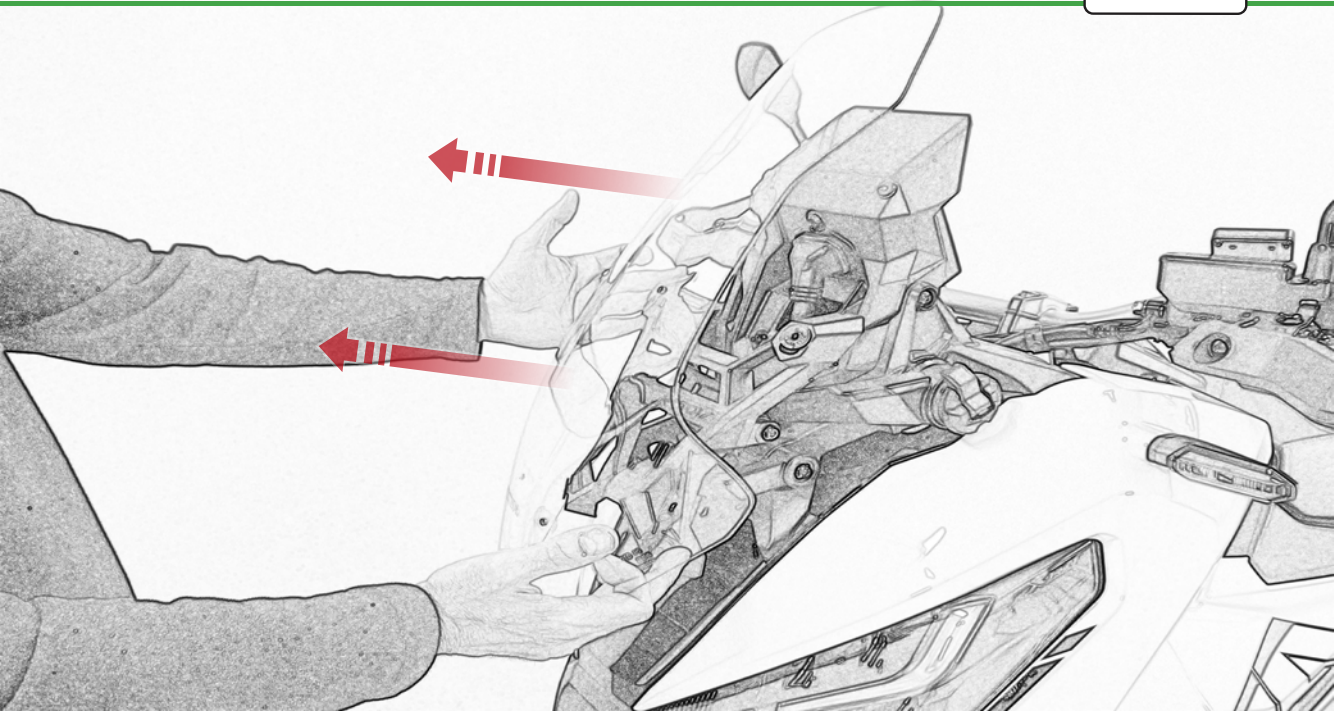
Honda X-ADV  
Quadlock Phone Mount

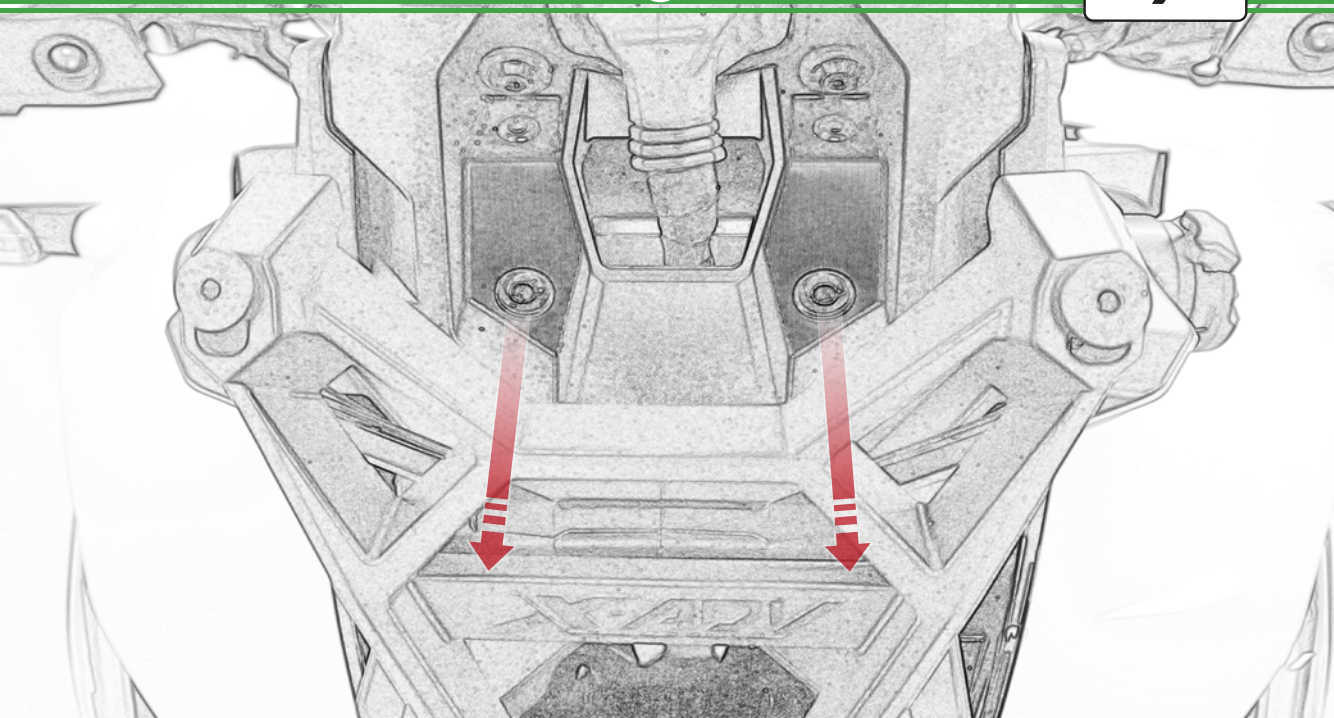


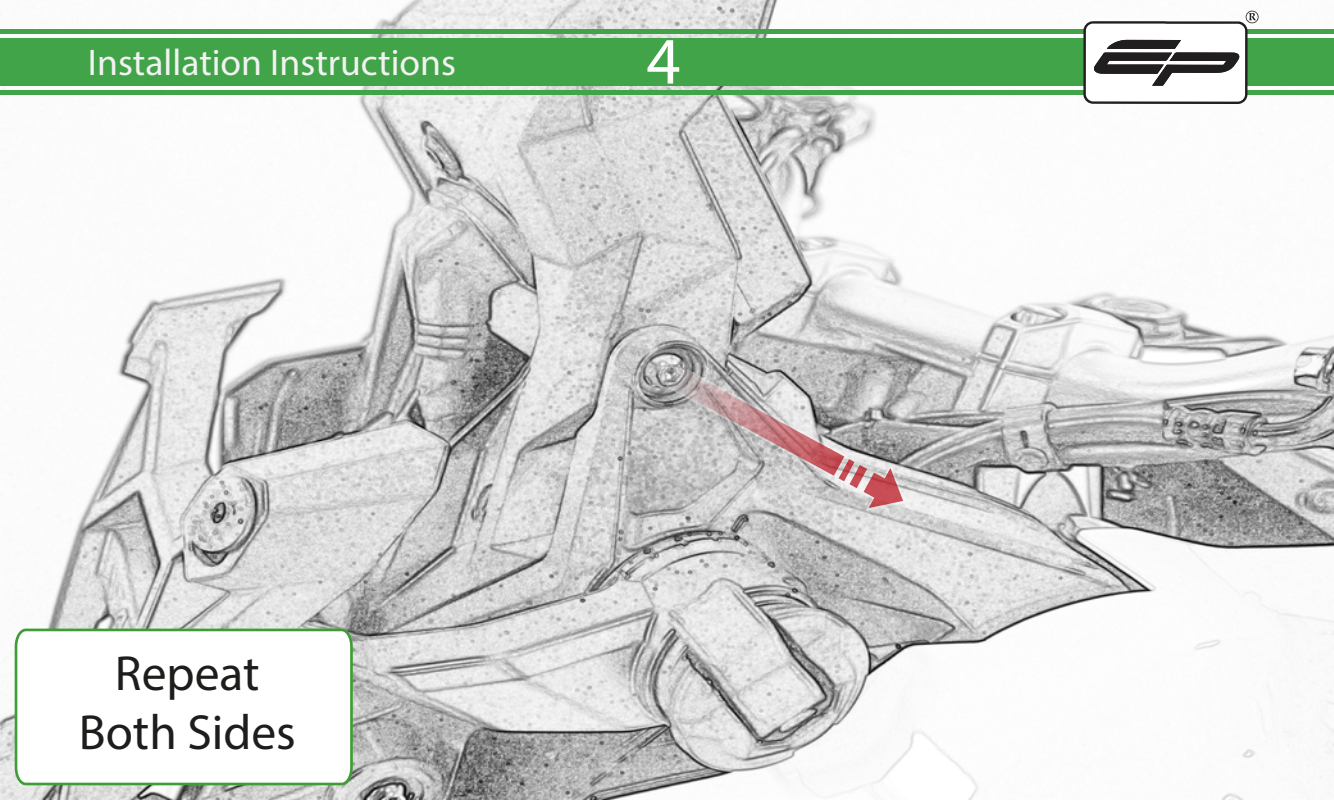
- Ⓐ 1 x Main Plate
- Ⓑ 1 x Pivot Plate
- Ⓒ 1 x Quad Lock Sub Bracket
- Ⓓ 1 x Quad Lock Mounting Bracket
- Ⓔ 2 x M5 x 8mm Black Button Head Bolts
- Ⓕ 2 x P-clips (No.1)
- Ⓖ 2 x P-clips (No.2)
- Ⓗ 2 x P-clips (No.3)
- Ⓘ 2 x P-clips (No.4)
- Ⓙ 2 x Lobe Screw
- Ⓚ 2 x Locking Washer
- Ⓛ 2 x M5 Black Washer
- Ⓜ 2 x M4 x 5mm Black Button Head Bolts
- ⒶⒶ 1 x Rubber Bung
- ⒷⒷ 2 x M6 x 30 Black Button Head Bolt
- ⒸⒸ 2 x M5 x 25 Black Button Head Bolt
- ⒹⒹ 2 x Spacer

P E R F O R M A N C E



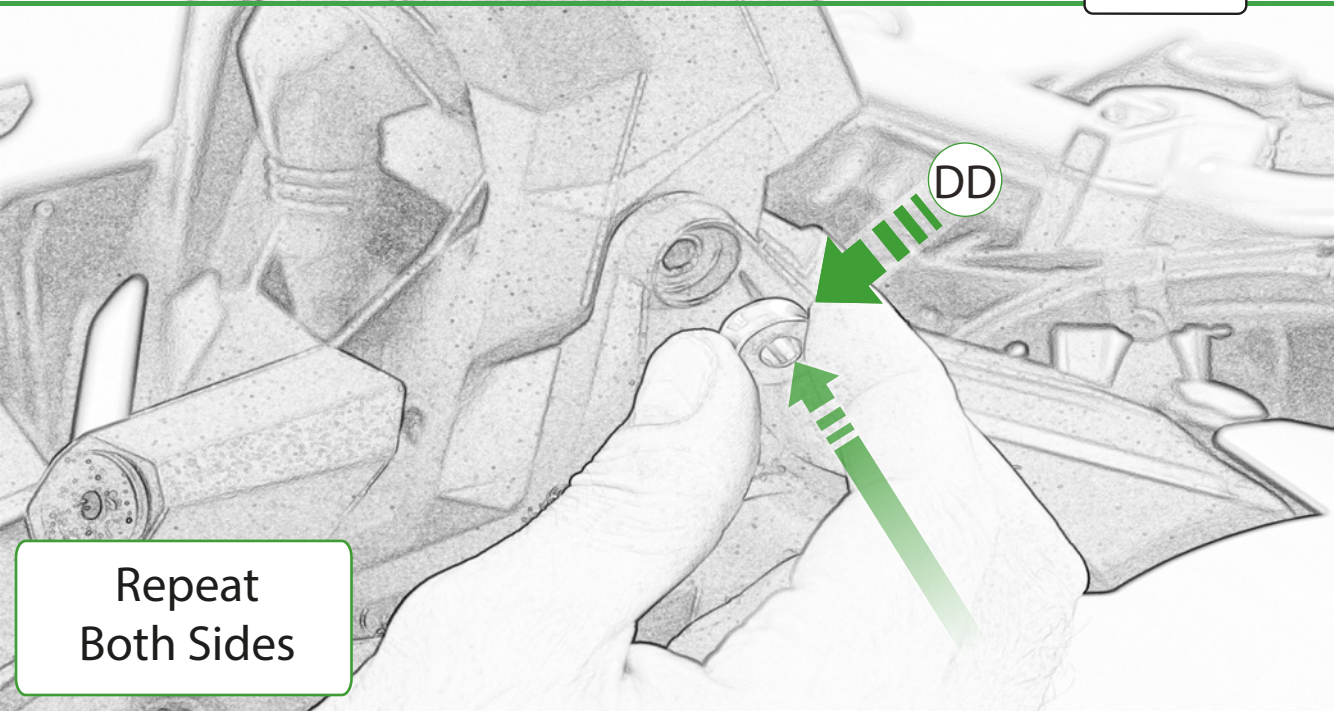






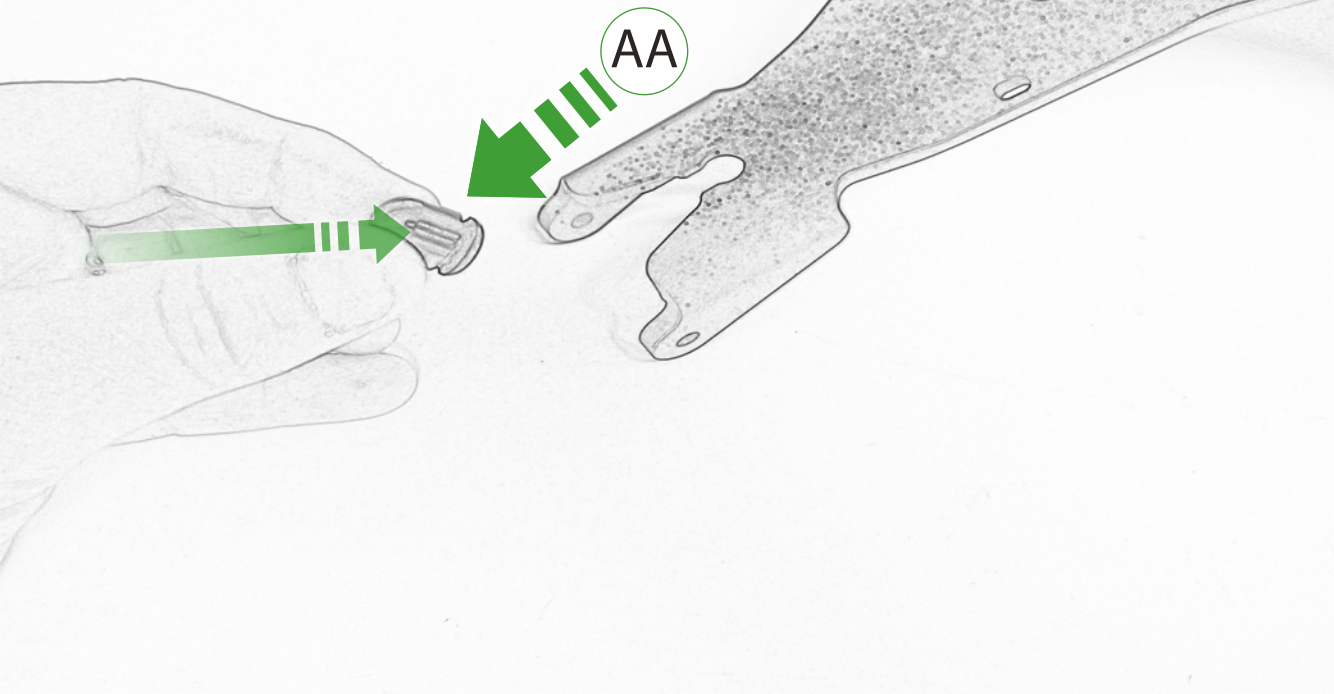
Repeat  
Both Sides



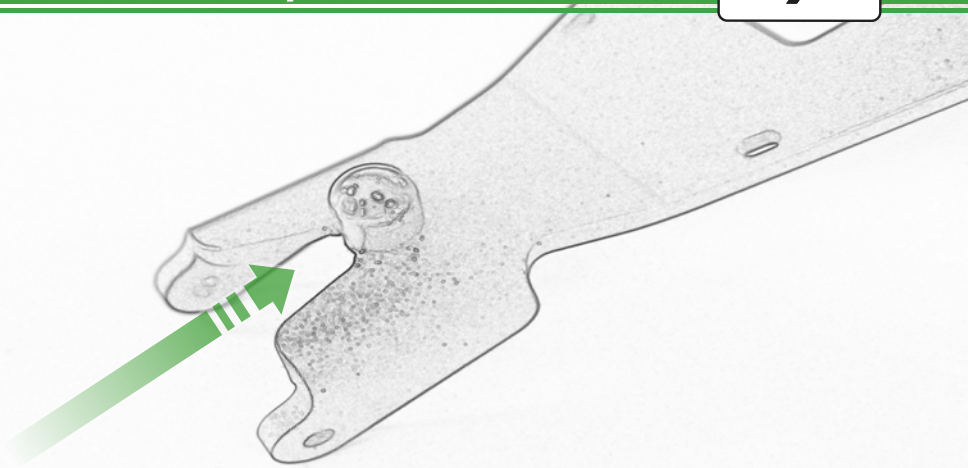


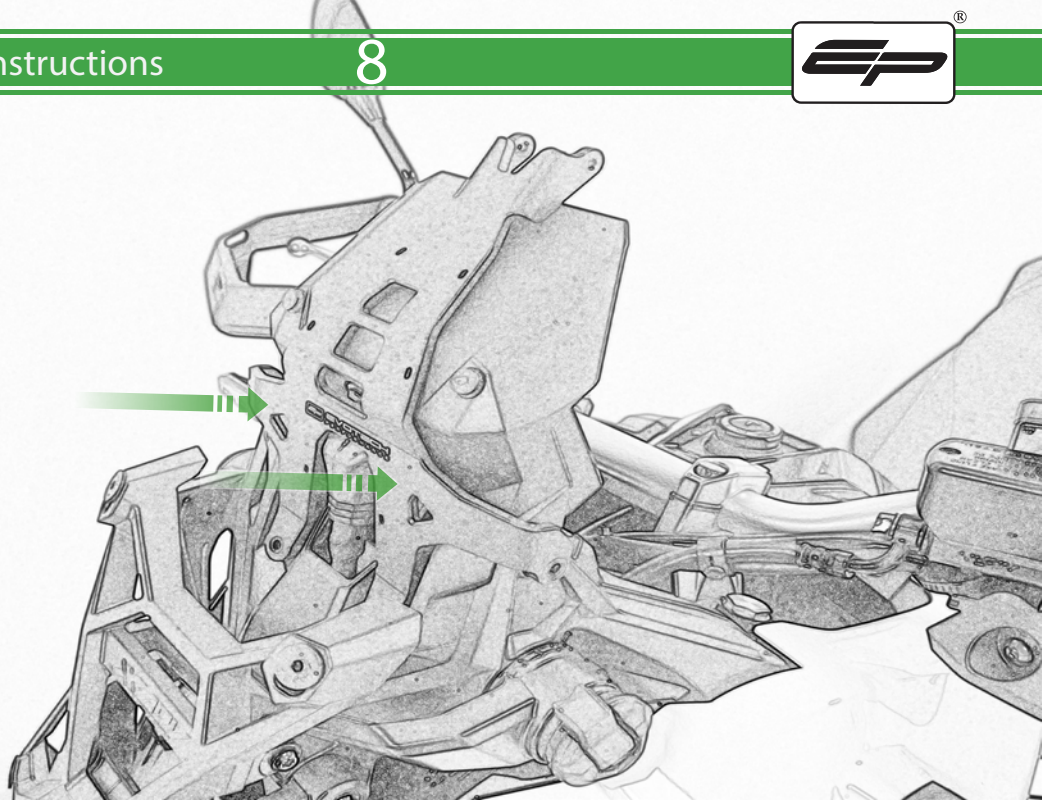
DD

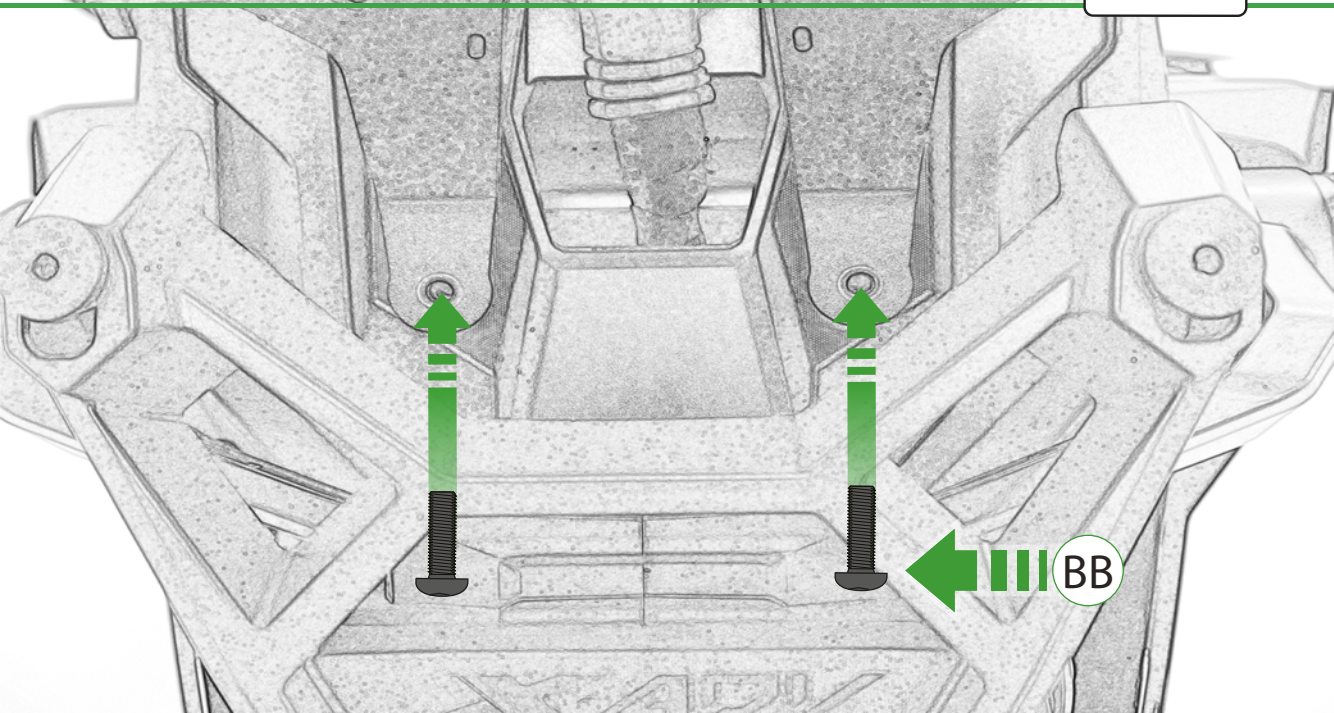
Repeat  
Both Sides



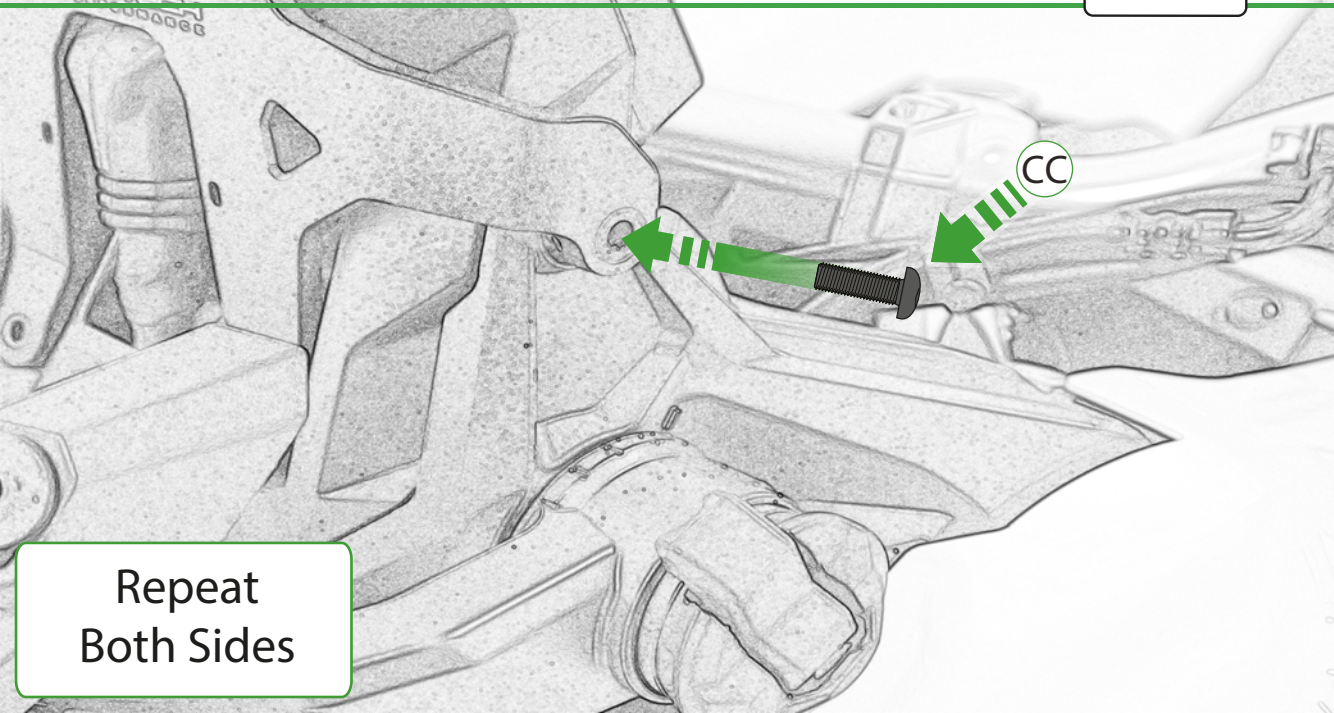




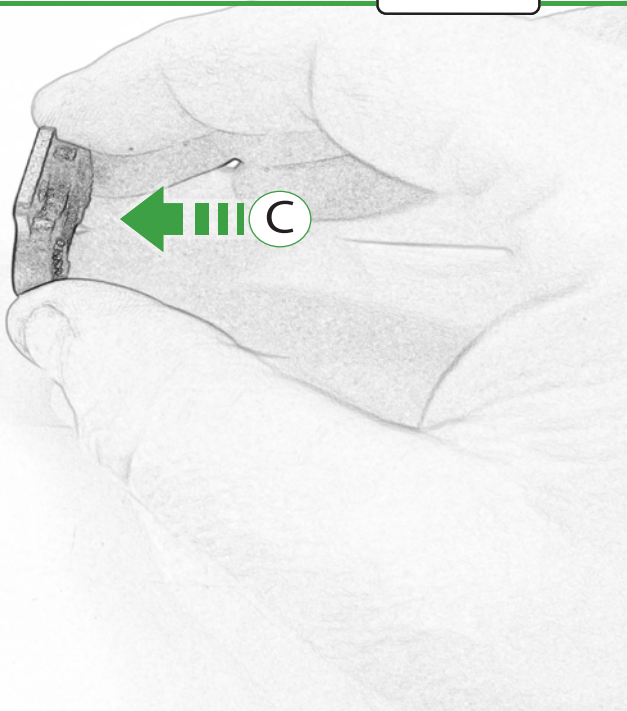
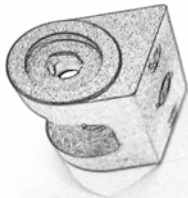




BB

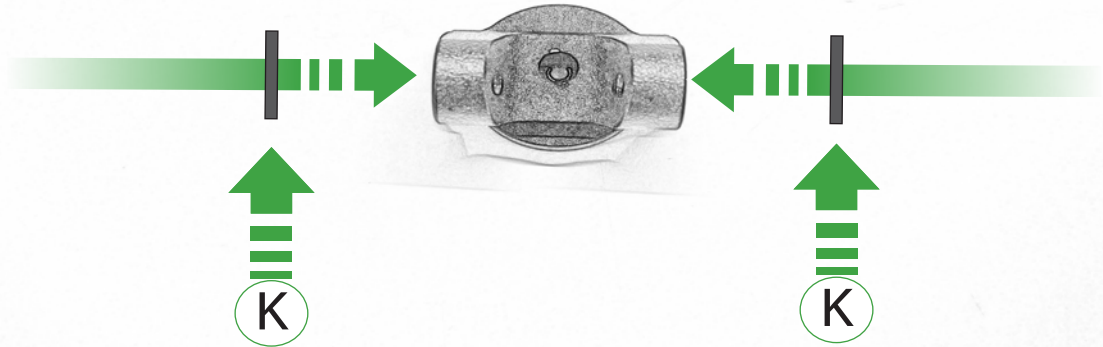


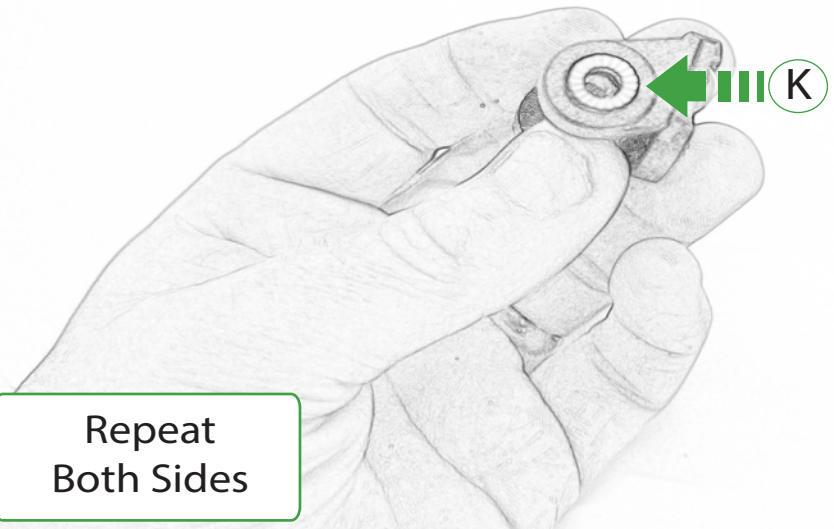
Repeat  
Both Sides



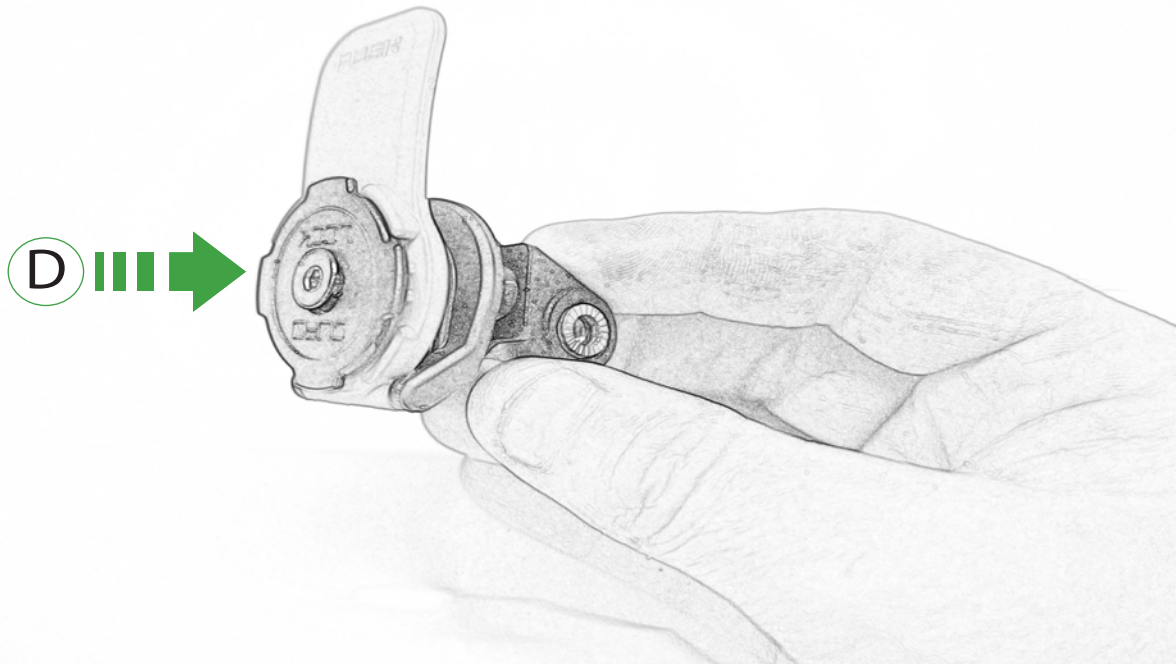


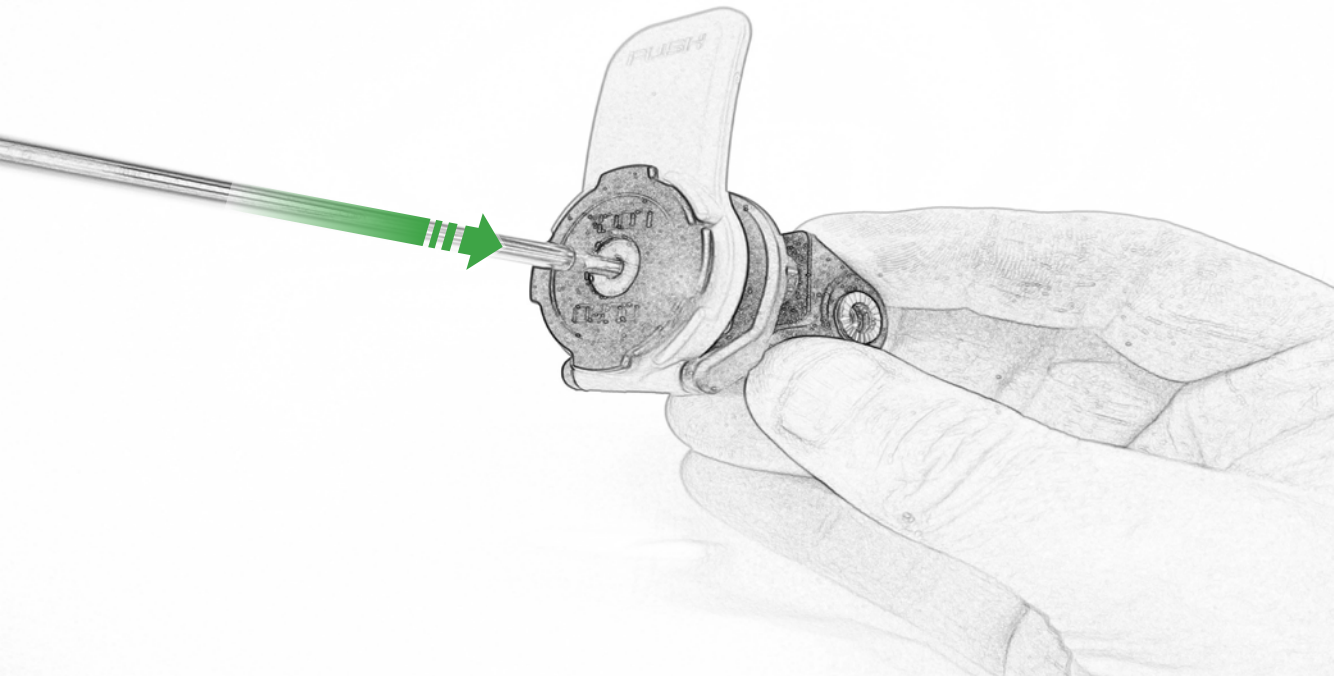


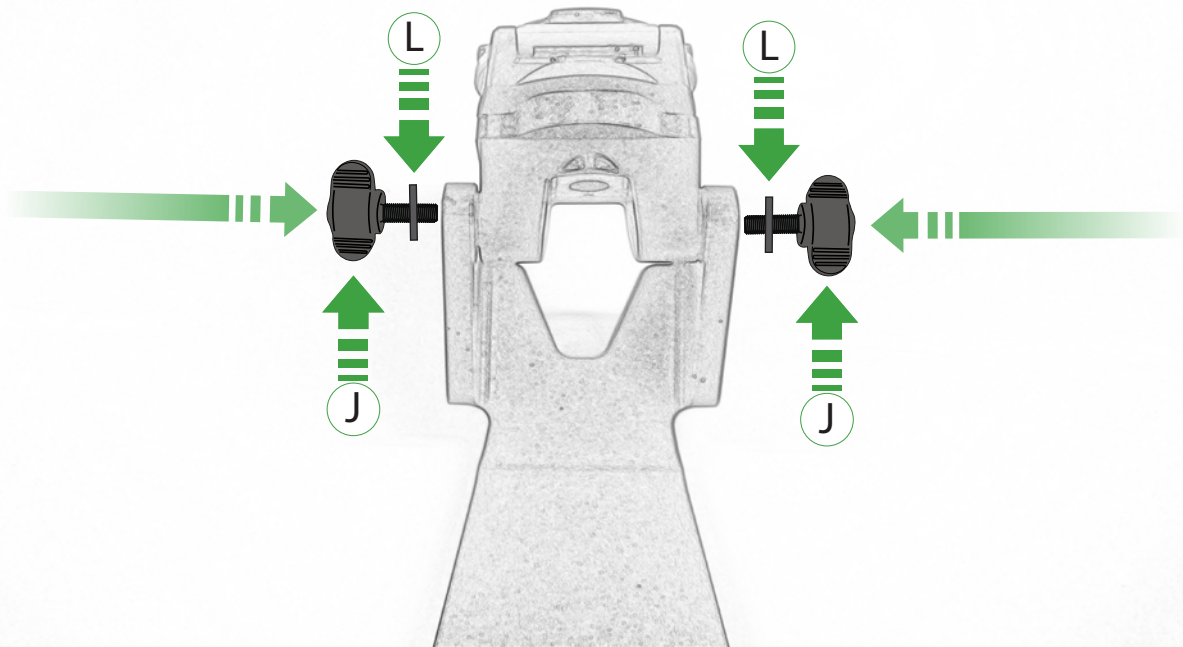


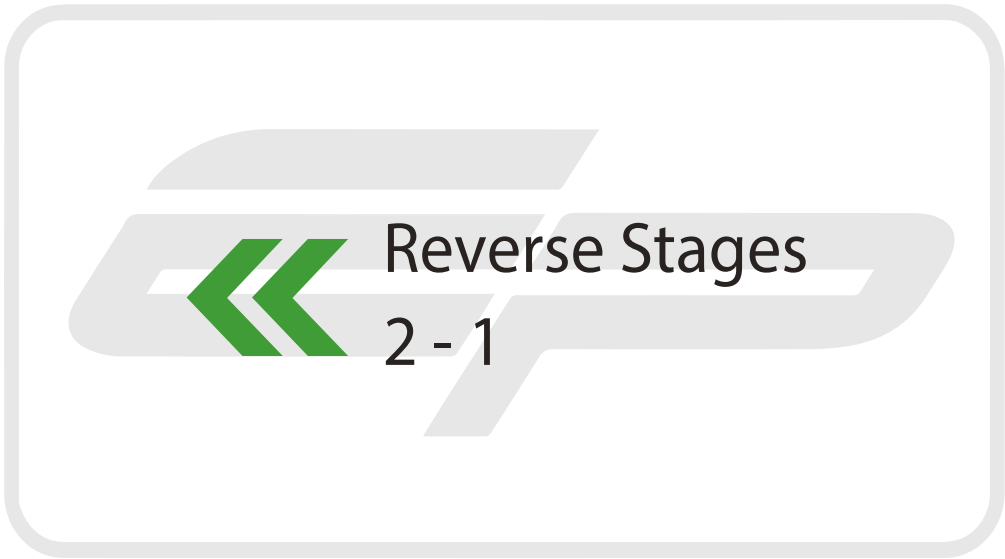


Repeat  
Both Sides













 **ESSENTIAL CHECKS** 

It is recommended that periodic inspections are made to ensure that all bolts are tightened to the specified torque settings.

Should the bike be involved in an accident a thorough inspection should be made and any components that have taken an impact, no matter how small, be replaced



**EVOTECH**®  
P E R F O R M A N C E

[www.evotech-performance.com](http://www.evotech-performance.com)