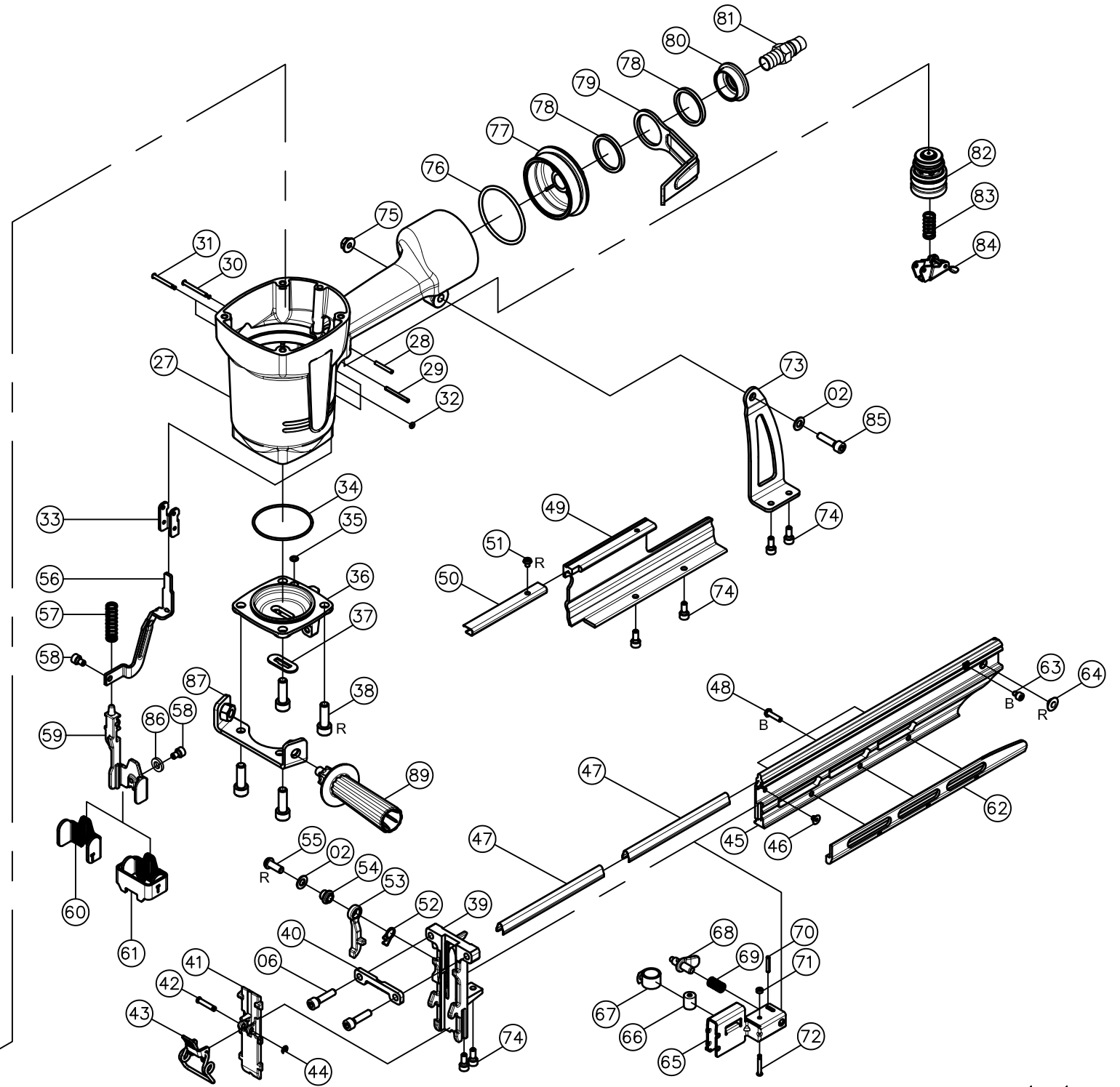
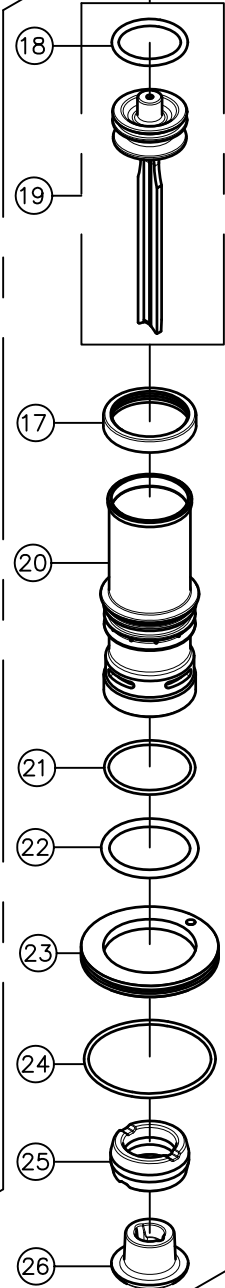
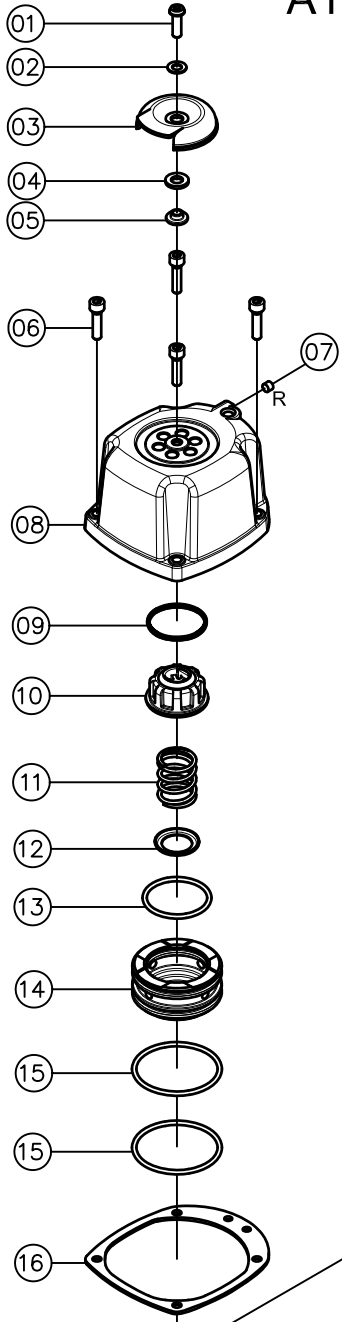


# MODEL : ST-400

## A12605



\*R : APPLY LOCTITE 271  
\*B : APPLY LOCTITE 242

**PARTS LIST (ST-400(A12605))**

**\*WHEN ORDERING SPARE PARTS.PLEASE STATE ITEM No.PART NO.AND DESCRIPTION.**

ITEM	PART NO	DESCRIPTION	QTY	ITEM	PART NO	DESCRIPTION	QTY	ITEM	PART NO	DESCRIPTION	QTY
01	US06100L-20	UM.HD.BOLT	1	35	OR04515N	O RING**	1	69	12103901	SPRING	1
02	FW060130B-10	FLAT WASHER	3	36	41800101	BOTTOM	1	70	RP3017S	ROLLED PIN	1
03	15100202-A30	EXHAUST COVER	1	37	41800301	WASHER	1	71	16103001	PU RING**	1
04	15108501	PU RING	1	38	HS08125B-28	HEX.SOC.HD.BOLT	4	72	12105802	SHAFT	1
05	25310001	SLEEVE	1	39	41800701	NOSE	1	73	41801201	BRACKET	1
06	HS06100L-25	HEX.SOC.HD.BOLT	6	40	41800601	SET PLATE	1	74	HS05080LW-20	HEX.SOC.HD.BOLT+SW	6
07	SS06100B-06	SET SCREW	1	41	41801301	DRIVER GUIDE COVER	1	75	LN0600NB	LOCK NUT	1
08	25400101-A33	CYLINDER CAP UNIT	1	42	15304801	STEPPED PIN	1	76	OR54431N	O RING**	1
09	25409801	COLLAR	1	43	41801401A	LATCH	1	77	23302504-A32	END CAP	1
10	25400601	PISTON STOPPER	1	44	ER0300R	E RING	1	78	41802801	SEAL	2
11	23300701	COMPRESSION SPRING	1	45	41800801-B01	MAGAZINE	1	79	41802303	BELT HOOK	1
12	23310101	HEAD VALVE WASHER	1	46	FH04070B-05	FLAT.HD.BOLT	1	80	41802901	BELT HOOK BRACKET	1
13	OR41630N	O RING**	1	47	41800901	SLIDE PLATE	2	81	12106417	NITTO SWIVEL PLUG MALE 3/	1
14	23300903	HEAD VALVE PISTON	1	48	US04070B-16	UM.HD.BOLT	3	82	23303804A	TRIGGER VALVE ASSEMBLY^	1
15	OR56030N	O RING**	2	49	41801101-B01	COVER	1	83	16305401	SPRING	1
16	23300502A	CYLINDER CAP SEAL	1	50	41802501	STOPPER	1	84	30805301A	SEQUENTIAL FIRE TRIGGER	1
17	23301301	CYLINDER SEAL	1	51	US04070B-06	UM.HD.BOLT	1	85	HS06100B-30	HEX.SOC.HD.BOLT+SW	1
18	OR42848M	O RING**	1	52	41801701	TORSIM SPRING	1	86	FW050120B-10	FLAT WASHER	1
19	41800401A	DRIVER ASSEMBLY	1	53	41801601	BLANK SHOOT PREVENTING RO	1	87	41803201A	RETAINER ASM.	1
20	25401401	CYLINDER	1	54	41801501	SLEEVE	1	89	41803101A	HANDLE ASM.	1
21	OR56531N	O RING**	1	55	US06100B-16	UM.HD.BOLT	1				
22	OR55657N	O RING**	1	56	41802001	UPPER SAFETY LEVER	1				
23	23301601	CYLINDER RING	1	57	38303201	COMPRESSION SPRING	1				
24	OR84431N	O RING**	1	58	HS05080L-08	HEX.SOC.HD.BOLT	2				
25	23304801	BUMPER"A"	1	59	41801801	SAFETY LEVER	1				
26	41800201	BUMPER"B"	1	60	41801901	SAFETY ADJUSTING LEVER	1				
27	23301901-A32	CN-70E COIL NAILER BODY	1	61	41802201A	AUXILIARY BLOCK	1				
28	RP3022S	ROLLED PIN	1	62	41802101-B01	PROTECTOR	1				
29	RP3030S	ROLLED PIN	1	63	HS04070B-06	HEX.SOC.HD.BOLT	1				
30	16102902	STEPPED PIN	1	64	25205701	POSITIONING BUSHING	1				
31	23302701	STEPPED PIN	2	65	41801001	PUSHER	1				
32	OR01919N	O RING**	3	66	15308601	ROLLER	1				
33	30803201	GUIDE SAFETY LEVER	1	67	15306201	SPRING**	1				
34	OR54015N	O RING**	1	68	15306403	STOPPER	1				