

# HOW CHAIRS THAT SWIVEL...TURN..ROLL ELIMINATE TABLE INTERFERENCE



**Traditional Seating**



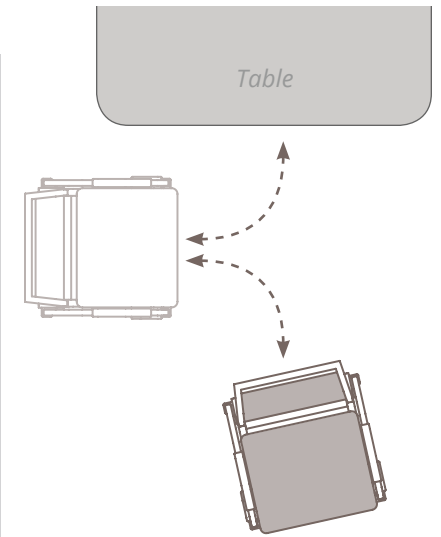
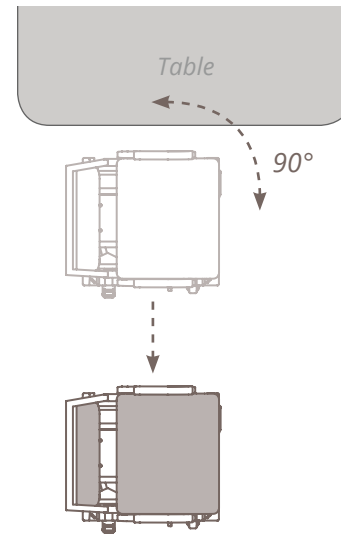
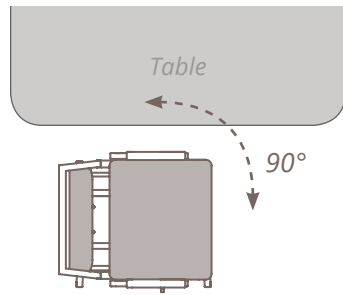
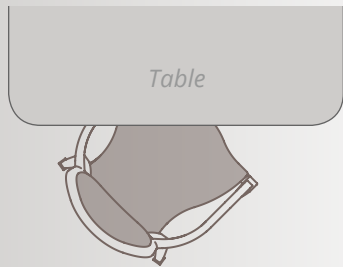
SEAT: **Swivels**  
**Locks - 90°**



SEAT: **Swivels**  
**Locks - 90°**  
  
CHAIR: **Rolls (Inline)**  
**Brakes**



CHAIR: **Turns (360°)**  
**Rolls**  
**Brakes**





## TRADITIONAL SEATING

- Chair provides no movement when assisting a person up to the table
- Chair is placed close to the table and positioned at 45 degrees (restricting access)
- Table interferes with efforts of caregiver to get a person seated
- Caregiver required to **push-pull-shove-twist** when positioning a seated person to the table

---

## SWIVEL - LOCK

- The base of the chair remains stable. No wheels
- The seat swivels 90 degrees and locks automatically
- Provides full access to the chair seat
- Eliminates table interference when getting a person seated



## SWIVEL - LOCK, ROLL & BRAKE

- The seat swivels 90 degrees and locks automatically
- Provides full access to the chair seat
- Eliminates table interference when getting a person seated
- The chair can also be pulled away from the table providing additional clearance
- The chair rolls forward and backward (inline)
- Foot brakes attached to rear casters



## TURN, ROLL & BRAKE

- The chair turns 360 degrees
- Provides full access to the chair seat
- Eliminates table interference when getting a person seated
- Caregivers can move seated persons from table to table
- Allows the caregiver to bring the chair to the person requiring assistance
- Multiple brake options available

