



*The Best Just Got Better*

---

# MODEL T-3250

## TOWER

## SPECIFICATIONS



---

Cooling Tower Systems, Inc.

196 Lower Cherry Street Macon, GA 31201

TF: 800.752.1905

F: 478.755.8304

[www.coolingtowersystems.com](http://www.coolingtowersystems.com)

[info@coolingtowersystems.com](mailto:info@coolingtowersystems.com)



# TOWER SPECIFICATIONS: MODEL T-3250 Cooling Tower Systems, Inc.

Design and Operating Conditions		Water Distribution System Construction Materials	
Tower Type:	Counter Flow Induced Draft	Stand Pipe:	PVC
Water Flow Rate (GPM):	3,761 GPM	Sprinkler Head:	AC
Entering Water Temperature	95°F	Sprinkler Pipes:	PVC
Leaving Water Temperature	85°F	<b>Mechanical Equipment</b>	
Wet Bulb Temperature:	75°F	Fan Unit:	One Unit per Tower
Total Fan BHP:	40 HP	Type:	Axial Flow
Total Pump Head:	23	Manufacturer:	CTS
Drift Loss of Water Flow:	0.1%	Diameter:	168 1/8"
Evaporation Loss of Water Flow:	0.93%	Blade Material:	AC
Design Wind Load:	41 lbs/sq. ft.	Hub Material:	AC
<b>Structural Details</b>		Nominal Air Volume:	218,950 CFM
Overall Diameter:	331 7/8"	<b>Fan Motor</b>	
Overall Height:	202.5"	Number of motors:	One Unit per Tower
Dry Weight:	14,449 lbs.	Type:	Induction
Operating Weight:	56,806 lbs.	Manufacturer:	CTS
<b>Basic Tower Construction Materials</b>		Insulation:	F Class
Tower Support Frame Assembly	HDGS	Rated HP:	40 HP
Casing:	FRP	Voltage and phase:	208-230/460V/3
Casing Supporters	HDGS	<b>Piping Connections</b>	
Cold Water Basin	FRP	Primary Water Inlet Diameter	12"
Filling:	PVC	Primary Water Outlet Diameter:	12"
Filling Supports:	HDGS	Auto fill inlet diameter:	2.5"
Fan Guard	HDGS	Quick fill inlet diameter:	2.5"
Mechanical Equipment Supports:	HDGS	Overflow outlet diameter:	4"
Inlet Louvers:	PVC	Drain diameter:	3"
Bolts, Nuts & Washers:	STS	Water Flow (GPM):	3,761 GPM
<b>Materials Key</b>			
FRP	Fiberglass Reinforced Polyester	STS	Stainless Steel
HDGS	Hot Dipped Galvanized Steel	AC	Aluminum Alloy Cast

**Cooling Tower Systems, Inc.**

196 Lower Cherry Street Macon, GA 31201

TF: 800.752.1905

F: 478.755.8304

www.coolingtowersystems.com

info@coolingtowersystems.com

# PARTS LIST: MODEL T-3250

FOR ASSEMBLY DIAGRAM		
Ref. No.	Description	QTY
01-01	Base Plate - A	8
01-02	Ring Frame	8
01-03	Truss Pipe - A1	8
01-04	Truss Pipe - A2	8
01-06	Tie Rod	8
02-01	Water Sump	1
02-02	Outlet Nozzle	1
02-03	Inlet Nozzle	1
02-04	Over Flow Nozzle	1
02-05	Drain Nozzle	1
02-06	Automatic Filler Nozzle	1
02-07	Quick Filler Nozzle	1
02-08	Float Valve Assembly	2
02-09	Over Flow	1
02-10	Suction Strainer	1
02-12A	Connector	1
02-13	Elbow	2
03-01	Water Basin	16
04-01	Base Plate - B	8
04-02	Stiffener Ring - 1	8
04-03	Truss Pipe - B1	8
04-04	Truss Pipe - B2	8
05-01	Casing (Diffuser)	16
05-02	Casing (Cylinder)	16
05-03	Stiffener Ring - 2	8
05-04	Casing Stand	16
05-05	Inserted Bar	16
05-06	Hand Hole Cover	1
06-01	Stand Pipe	1
06-02	Stand Pipe Base	1
06-03	Packing	1
07-02	Column	1
08-01	Filling Supporter - A	8
08-02	Filling Supporter - B	8
08-03	Filling Supporter - C	24
08-04	Fill Supt. Clamping Band	16
08-06	Filling Supporter - E	16
10-01-1	Ladder (A Section - 1)	1
10-01-2	Ladder (A Section - 2)	1
10-02	Ladder (B Section)	1
10-03	Ladder Bracket - A	2
10-04	Ladder Bracket - B	2
11-01	Filling (Inner Section)	-
11-03	Filling (1/3 Section)	-
11-06	Filling (1/6 Section)	12
11-08	Filling (1/8 Section)	16
12-01	Sprinkler Head	1
12-02	Center Post	1
12-03	Turnbuckle	10
12-04	Tension Wire	10
13-01	Sprinkler Pipe	10
13-02	End Cap	10
13-03	Eliminator	10
14-01	Frame Ass'y Main Pipe	2
14-02	Frame Ass'y Stay Pipe	2
15-01	Motor Base	1
15-02	U-Bolt	4

16-01	Motor	1
16-02	Speed Reducer	1
16-03	Fan Key	1
16-04	Fasten Nut	1
16-05	Lock Nut	1
17-01	Fan Hub	1
17-02	Fan Blade	4
17-04	U-Bolt	8
18-01	Fan Guard	8
19-00	Basin Supporter Ass'y	16
20-01	Louver Supporter	48
20-01B	Louver Supporter - B	48
20-02	Inlet Louver	16
20-08	Wing Bolt	144
20-09	Plastic Washer	144
OTHERS	Bolts & Nuts	1 SET

FOR TECHNICAL DIAGRAMS			
Item	Description	Material	QTY
1	Fan Motor	-	1 pcs
2	V-Belt Reducer	-	1 set
3	Motor Frame Assembly	HDGS	1 set
4	Fan	AC	1 set
5	Fan Guard	HDGS	1 set
6	Casing	FRP	16 pcs
7	Hand Hole	EVA	1 pcs
8	Sprinkler Head	AC	1 set
9	Sprinkler Pipe	PVC	10 pcs
10	Eliminator	FRP	10 pcs
11	Tension Device	HDGS	1 set
12	Stand Pipe	PVC	1 set
13	Filling	PVC	1 set
14	Stopper or Column	HDGS	1 set
15	Filling Supporter	HDGS	1 set
16	Casing Supporter	HDGS	6 pcs
17	Inlet Louver	PVC	1 set
18	Frame Assembly	HDGS	1 set
19	Water Basin	FRP	12 pcs
20	Water Sump	FRP	1 pcs
21	Ladder	HDGS	1 set
22	Strainer	HDGS	1 pcs
23	Flange	HDGS	2 pcs
24	Basin Supporter	HDGS	16 pcs

### Materials Key

FRP	Fiberglass Reinforced Polyester
HDGS	Hot Dipped Galvanized Steel
STS	Stainless Steel
AC	Aluminum Alloy Cast

### Water Basin Sealing Material

Fiberglass	1 Set—A
Polyester Resin	1 Keg—B
Catalyst	1 Bottle—C

## Cooling Tower Systems, Inc.

196 Lower Cherry Street Macon, GA 31201

TF: 800.752.1905

F: 478.755.8304

www.coolingtowersystems.com

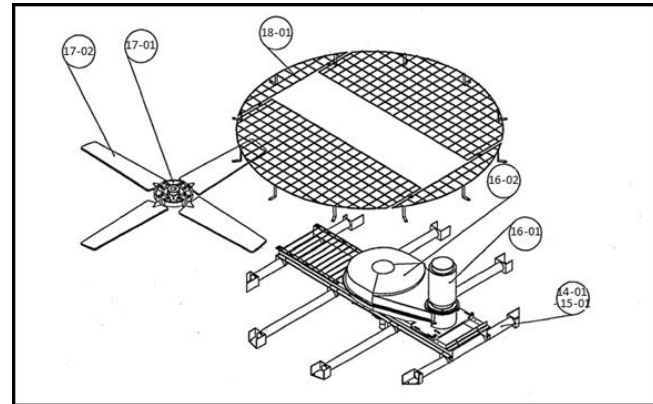
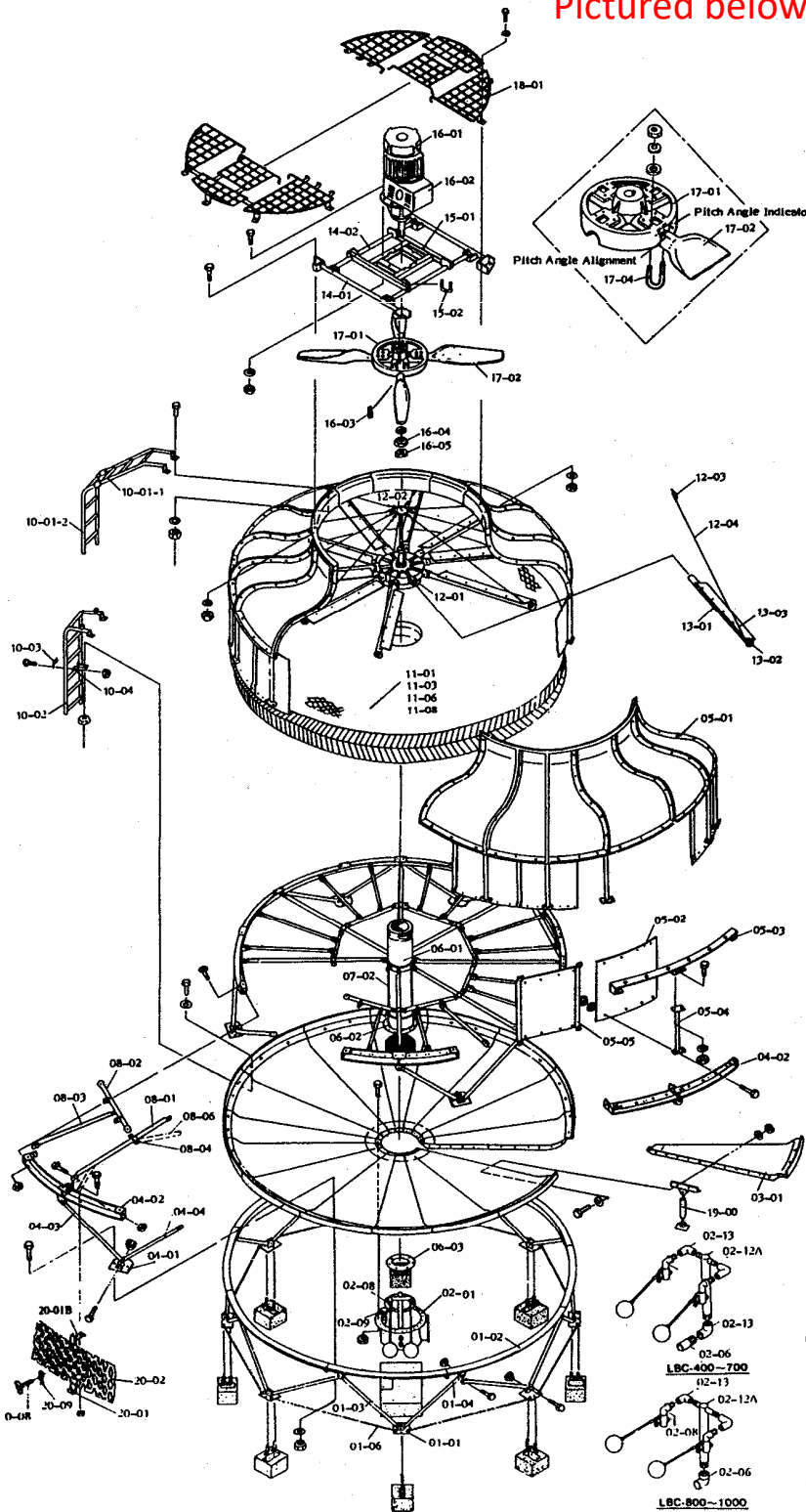
info@coolingtowersystems.com



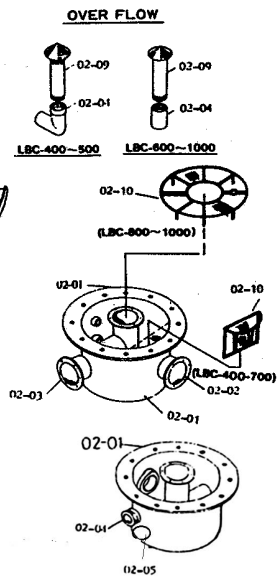
# ASSEMBLY DIAGRAM: MODEL T-3250

Cooling Tower Systems, Inc.

Pictured below is LBM Vbelt speed reducer hook up



\*Pictured above is VBA style right angle drive vbelt speed reducer hook up. All parts are the same but mounting is as shown above.



Cooling Tower Systems, Inc.

196 Lower Cherry Street Macon, GA 31201

TF: 800.752.1905

F: 478.755.8304

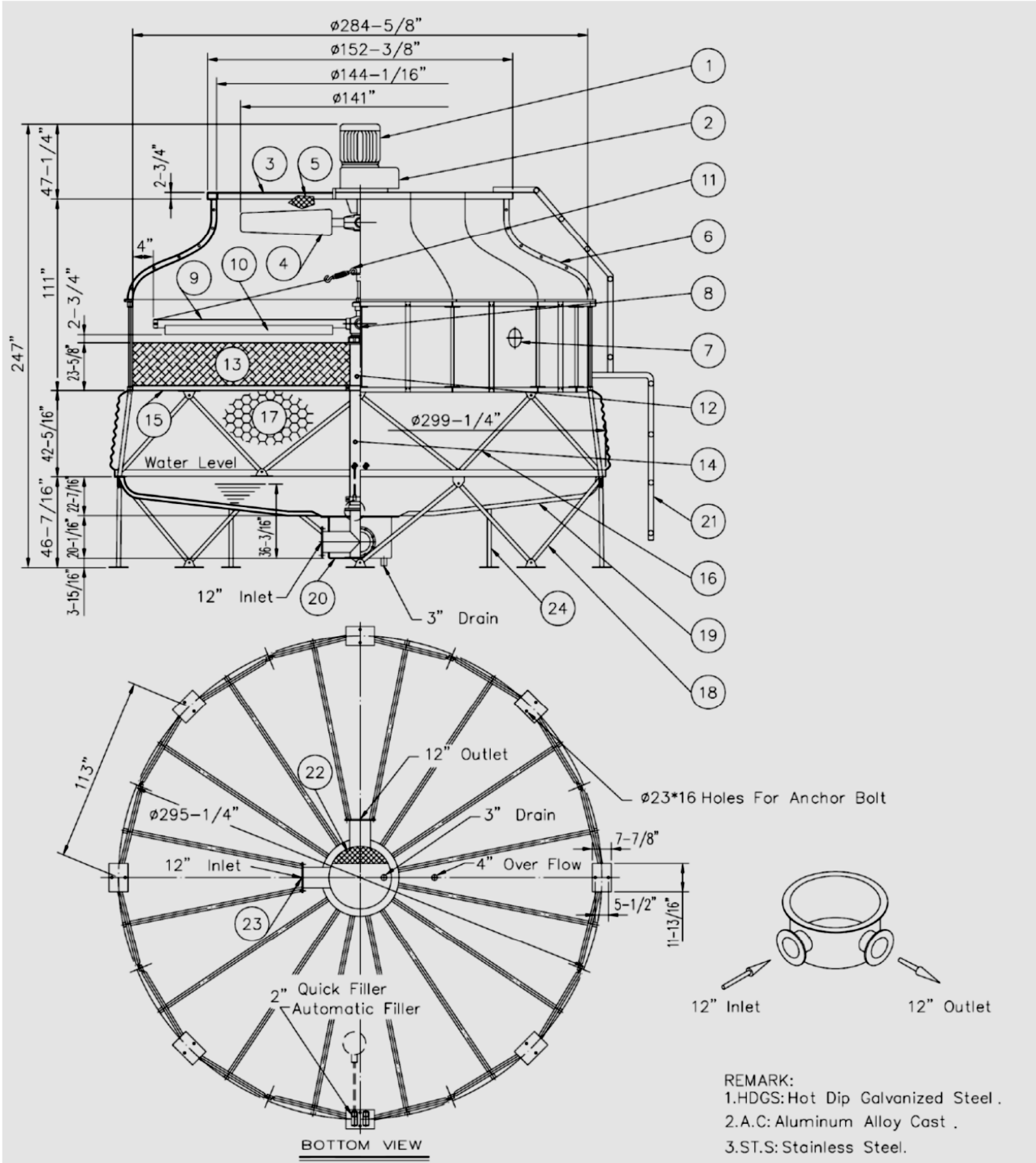
www.coolingtowersystems.com

info@coolingtowersystems.com



Cooling Tower Systems, Inc.

TECHNICAL IMAGE A: MODEL T-3250



Cooling Tower Systems, Inc.

196 Lower Cherry Street Macon, GA 31201

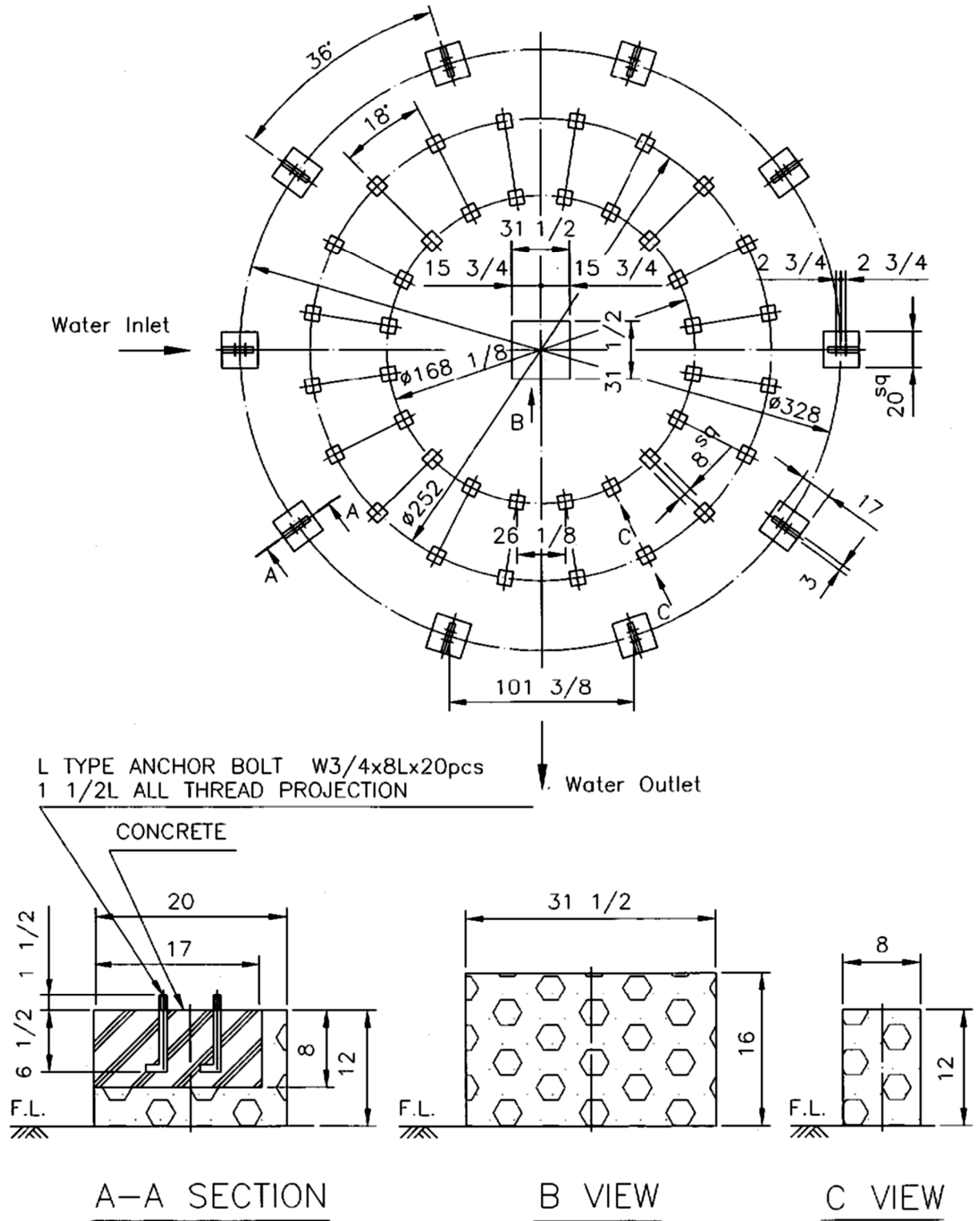
TF: 800.752.1905

F: 478.755.8304

www.coolingtowersystems.com

info@coolingtowersystems.com

FOUNDATION DRAWING: MODEL T-3250



Cooling Tower Systems, Inc.

196 Lower Cherry Street Macon, GA 31201

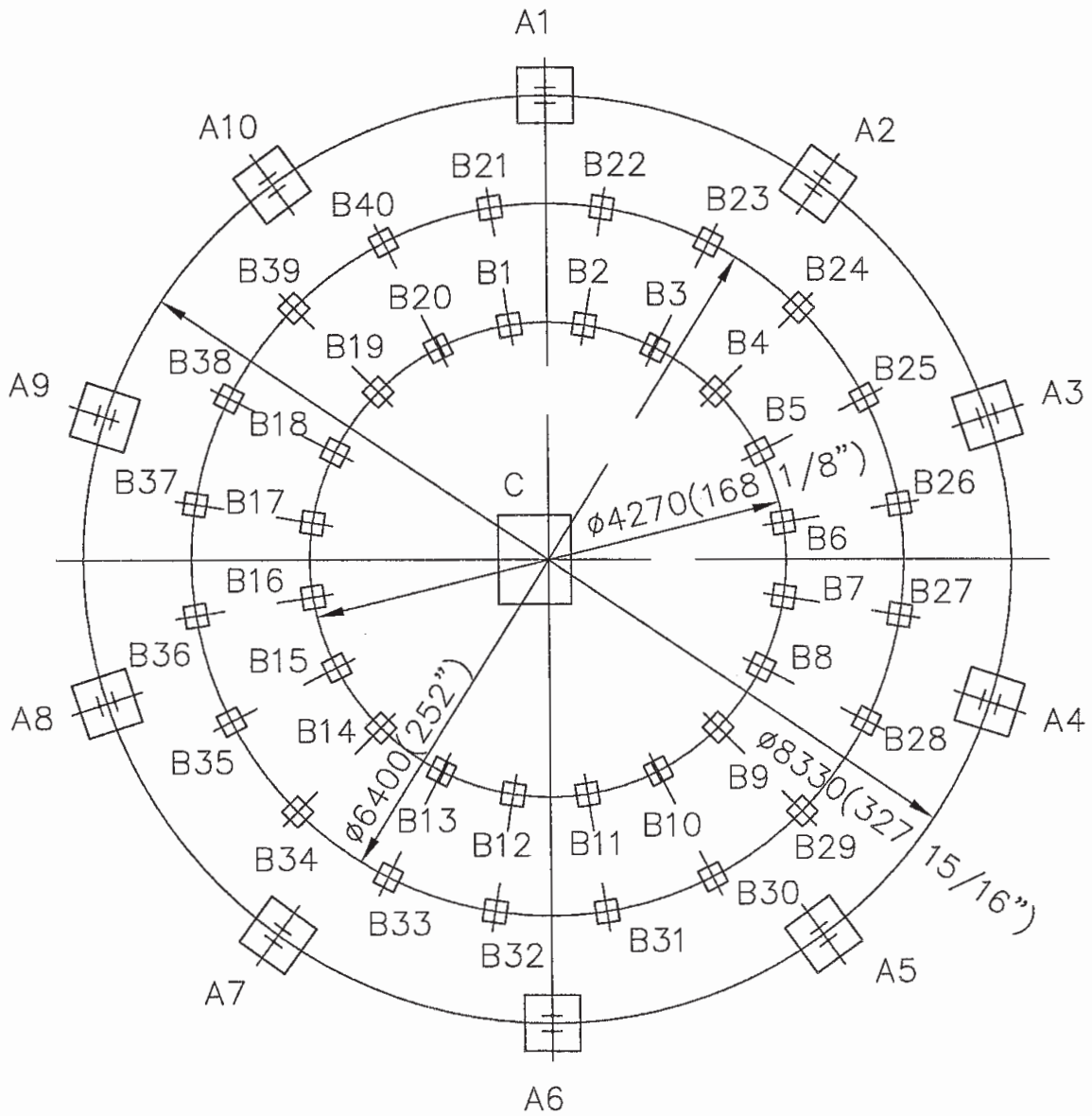
TF: 800.752.1905

F: 478.755.8304

www.coolingtowersystems.com

info@coolingtowersystems.com





TOWER MODEL	DEAD LOAD KG(lb)		
	A1=...=A10	B1=...=B40	C
1250	1633(3601lb)	89(197lb)	5857(12911lb)
1500	1659(3658lb)	89(197lb)	5898(13002lb)

TOWER MODEL	LIVE LOAD KG(lb)		
	A1=...=A10	B1=...=B40	C
1250	415(915lb)	23(49lb)	1490(3284lb)
1500	444(978lb)	24(53lb)	1591(3507lb)