



The Best Just Got Better

MODEL T-2800 TOWER SPECIFICATIONS





TOWER SPECIFICATIONS: MODEL T-2800 Cooling Tower Systems, Inc.

| Design and Operating Conditions | | Water Distribution System Construction Materials | |
|---|---------------------------------|--|---------------------|
| Tower Type: | Counter Flow Induced Draft | Stand Pipe: | PVC |
| Water Flow Rate (GPM): | 2,370 GPM | Sprinkler Head: | AC |
| Entering Water Temperature | 95°F | Sprinkler Pipes: | PVC |
| Leaving Water Temperature | 85°F | Mechanical Equipment | |
| Wet Bulb Temperature: | 75°F | Fan Unit: | One Unit per Tower |
| Total Fan BHP: | 30 HP | Type: | Axial Flow |
| Total Pump Head: | 20' | Manufacturer: | CTS |
| Drift Loss of Water Flow: | 0.1% | Diameter: | 133 1/8" |
| Evaporation Loss of Water Flow: | 0.93% | Blade Material: | AC |
| Design Wind Load: | 41 lbs/sq. ft. | Hub Material: | AC |
| Structural Details | | Nominal Air Volume: | 125,000 CFM |
| Overall Diameter: | 299.25" | Fan Motor | |
| Overall Height: | 194 11/16" | Number of motors: | One Unit per Tower |
| Dry Weight: | 9,636 lbs. | Type: | Induction |
| Operating Weight: | 26,356 lbs. | Manufacturer: | CTS |
| Basic Tower Construction Materials | | Insulation: | F Class |
| Tower Support Frame Assembly | HDGS | Rated HP: | 20 HP |
| Casing: | FRP | Voltage and phase: | 220/440V/3 |
| Casing Supporters | HDGS | Piping Connections | |
| Cold Water Basin | FRP | Primary Water Inlet Diameter | 12" |
| Filling: | PVC | Primary Water Outlet Diameter: | 12" |
| Filling Supports: | HDGS | Auto fill inlet diameter: | 2" |
| Fan Guard | HDGS | Quick fill inlet diameter: | 2" |
| Mechanical Equipment Supports: | HDGS | Overflow outlet diameter: | 4" |
| Inlet Louvers: | PVC | Drain diameter: | 3" |
| Bolts, Nuts & Washers: | STS | Water Flow (GPM): | 2,370 GPM |
| Materials Key | | | |
| FRP | Fiberglass Reinforced Polyester | STS | Stainless Steel |
| HDGS | Hot Dipped Galvanized Steel | AC | Aluminum Alloy Cast |

Cooling Tower Systems, Inc.

3170 Mercer University Dr., Macon, GA 31204

TF: 800.752.1905

F: 478.755.8304

www.coolingtowersystems.com

info@coolingtowersystems.com

PARTS LIST: MODEL T-2700

| FOR ASSEMBLY DIAGRAM | | |
|----------------------|-------------------------|-----|
| Ref. No. | Description | QTY |
| 01-01 | Base Plate - A | 8 |
| 01-02 | Ring Frame | 8 |
| 01-03 | Truss Pipe - A1 | 8 |
| 01-04 | Truss Pipe - A2 | 8 |
| 01-06 | Tie Rod | 8 |
| 02-01 | Water Sump | 1 |
| 02-02 | Outlet Nozzle | 1 |
| 02-03 | Inlet Nozzle | 1 |
| 02-04 | Over Flow Nozzle | 1 |
| 02-05 | Drain Nozzle | 1 |
| 02-06 | Automatic Filler Nozzle | 1 |
| 02-07 | Quick Filler Nozzle | 1 |
| 02-08 | Float Valve Assembly | 2 |
| 02-09 | Over Flow | 1 |
| 02-10 | Suction Strainer | 1 |
| 02-12A | Connector | 1 |
| 02-13 | Elbow | 3 |
| 03-01 | Water Basin | 16 |
| 04-01 | Base Plate - B | 8 |
| 04-02 | Stiffener Ring - 1 | 8 |
| 04-03 | Truss Pipe - B1 | 8 |
| 04-04 | Truss Pipe - B2 | 8 |
| 05-01 | Casing (Diffuser) | 16 |
| 05-02 | Casing (Cylinder) | 16 |
| 05-03 | Stiffener Ring - 2 | 8 |
| 05-04 | Casing Stand | 16 |
| 05-05 | Inserted Bar | 16 |
| 05-06 | Hand Hole Cover | 1 |
| 06-01 | Stand Pipe | 1 |
| 06-02 | Stand Pipe Base | 1 |
| 06-03 | Packing | 1 |
| 07-02 | Column | 1 |
| 08-01 | Filling Supporter - A | 8 |
| 08-02 | Filling Supporter - B | 8 |

| FOR ASSEMBLY DIAGRAM | | |
|----------------------|--------------------------|-------|
| Ref. No. | Description | QTY |
| 08-03 | Filling Supporter - C | 24 |
| 08-04 | Fill Supt. Clamping Band | 16 |
| 08-06 | Filling Supporter - E | 16 |
| 10-01-1 | Ladder (A Section - 1) | 1 |
| 10-01-2 | Ladder (A Section - 2) | 1 |
| 10-02 | Ladder (B Section) | 1 |
| 10-03 | Ladder Bracket - A | 2 |
| 10-04 | Ladder Bracket - B | 2 |
| 11-01 | Filling (Inner Section) | - |
| 11-03 | Filling (1/3 Section) | 6 |
| 11-06 | Filling (1/6 Section) | - |
| 11-08 | Filling (1/8 Section) | 16 |
| 12-01 | Sprinkler Head | 1 |
| 12-02 | Center Post | 1 |
| 12-03 | Turnbuckle | 8 |
| 12-04 | Tension Wire | 8 |
| 13-01 | Sprinkler Pipe | 8 |
| 13-02 | End Cap | 8 |
| 13-03 | Eliminator | 8 |
| 14-01 | Frame Ass'y Main Pipe | 2 |
| 14-02 | Frame Ass'y Stay Pipe | 2 |
| 15-01 | Motor Base | 1 |
| 15-02 | U-Bolt | 4 |
| 16-01 | Motor | 1 |
| 16-02 | Speed Reducer | 1 |
| 16-03 | Fan Key | 1 |
| 16-04 | Fasten Nut | 1 |
| 16-05 | Lock Nut | 1 |
| 17-01 | Fan Hub | 1 |
| 17-02 | Fan Blade | 4 |
| 17-04 | U-Bolt | 8 |
| 18-01 | Fan Guard | 8 |
| 19-00 | Basin Supporter Ass'y | 16 |
| 20-01 | Louver Supporter | 48 |
| 20-01B | Louver Supporter - B | 48 |
| 20-02 | Inlet Louver | 16 |
| 20-08 | Wing Bolt | 144 |
| 20-09 | Plastic Washer | 144 |
| OTHERS | Bolts & Nuts | 1 SET |

Cooling Tower Systems, Inc.

3170 Mercer University Dr., Macon, GA 31204

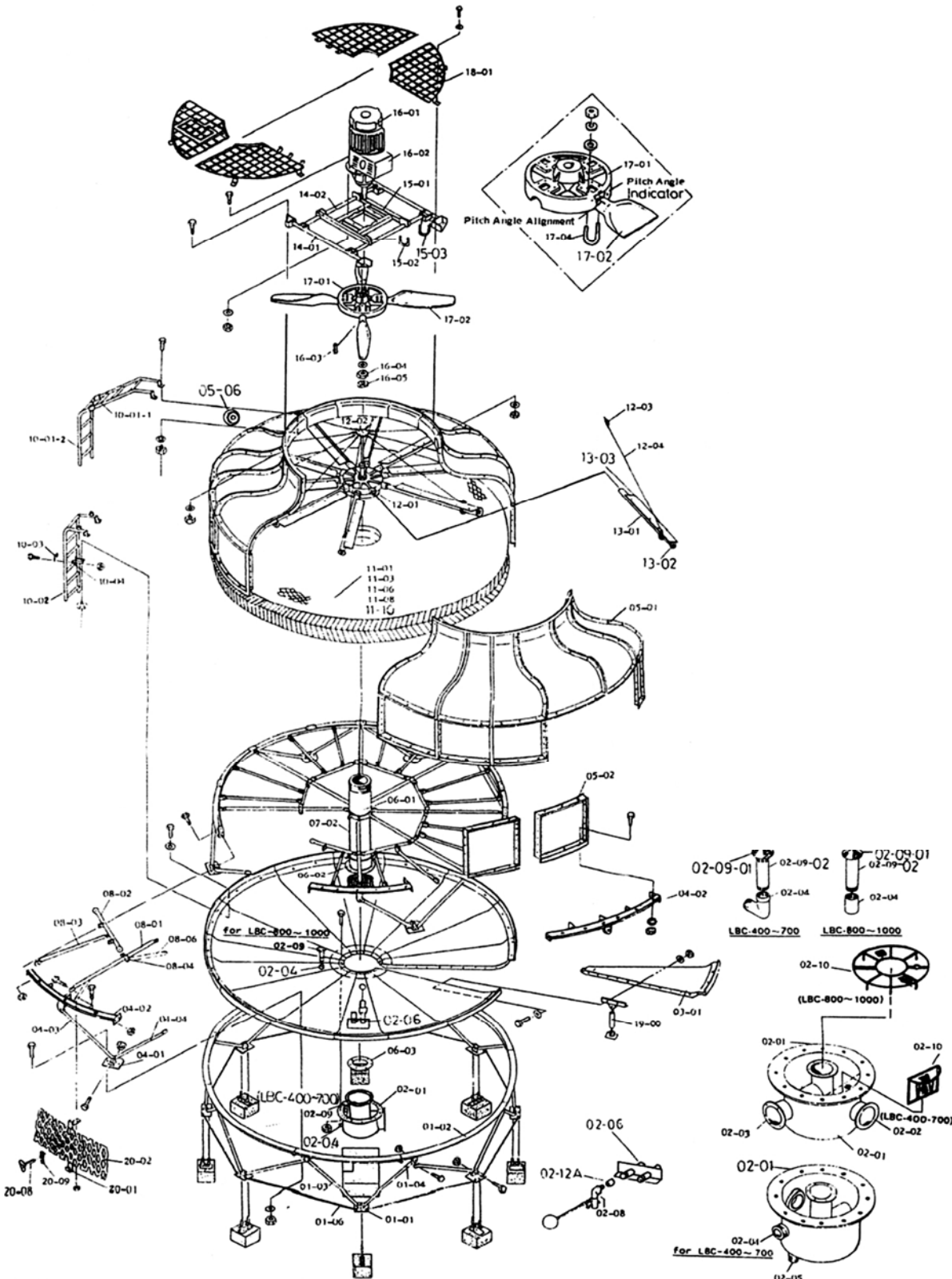
TF: 800.752.1905

F: 478.755.8304

www.coolingtowersystems.com

info@coolingtowersystems.com

PARTS LIST: MODEL T-2800



Cooling Tower Systems, Inc.

3170 Mercer University Dr., Macon, GA 31204

TF: 800.752.1905

F: 478.755.8304

www.coolingtowersystems.com

info@coolingtowersystems.com

