



# MODEL T-270 TOWER SPECIFICATIONS



---

Cooling Tower Systems, Inc.

3170 Mercer University Dr., Macon, GA 31204

TF: 800.752.1905

F: 478.755.8304

[www.coolingtowersystems.com](http://www.coolingtowersystems.com)

[info@coolingtowersystems.com](mailto:info@coolingtowersystems.com)

# TOWER SPECIFICATIONS: MODEL T-270

Cooling Tower Systems, Inc.

Design and Operating Conditions		Water Distribution System Construction Materials	
Tower Type:	Counter Flow Induced Draft	Stand Pipe:	PVC
Water Flow Rate (GPM):	206 GPM	Sprinkler Head:	AC
Entering Water Temperature	95°F	Sprinkler Pipes:	PVC
Leaving Water Temperature	85°F	<b>Mechanical Equipment</b>	
Wet Bulb Temperature:	75°F	Fan Unit:	One Unit per Tower
Total Fan BHP:	1.5 HP	Type:	Axial Flow
Total Pump Head:	6.6'	Manufacturer:	CTS
Drift Loss of Water Flow:	0.1%	Diameter:	46 1/16"
Evaporation Loss of Water Flow:	0.93%	Blade Material:	AC
Design Wind Load:	41 lbs/sq. ft.	Hub Material:	AC
<b>Structural Details</b>		Nominal Air Volume:	17,500 CFM
Overall Diameter:	85 5/8"	<b>Fan Motor</b>	
Overall Height:	79 3/8"	Number of motors:	One Unit per Tower
Dry Weight:	610 lbs.	Type:	Induction
Operating Weight:	1,555 lbs.	Manufacturer:	CTS
<b>Basic Tower Construction Materials</b>		Insulation:	F Class
Tower Support Frame Assembly	-	Rated HP:	1.5 HP
Casing:	FRP	Voltage and phase:	220/440V/3
Casing Supporters	HDGS	<b>Piping Connections</b>	
Cold Water Basin	FRP	Primary Water Inlet Diameter	4"
Filling:	PVC	Primary Water Outlet Diameter:	4"
Filling Supports:	HDGS	Auto fill inlet diameter:	3/4"
Fan Guard	HDGS	Quick fill inlet diameter:	-
Mechanical Equipment Supports:	HDGS	Overflow outlet diameter:	1"
Inlet Louvers:	PVC	Drain diameter:	1"
Bolts, Nuts & Washers:	STS	Water Flow (GPM):	206 GPM
<b>Materials Key</b>			
FRP	Fiberglass Reinforced Polyester	STS	Stainless Steel
HDGS	Hot Dipped Galvanized Steel	AC	Aluminum Alloy Cast

Cooling Tower Systems, Inc.

3170 Mercer University Dr., Macon, GA 31204

TF: 800.752.1905

F: 478.755.8304

www.coolingtowersystems.com

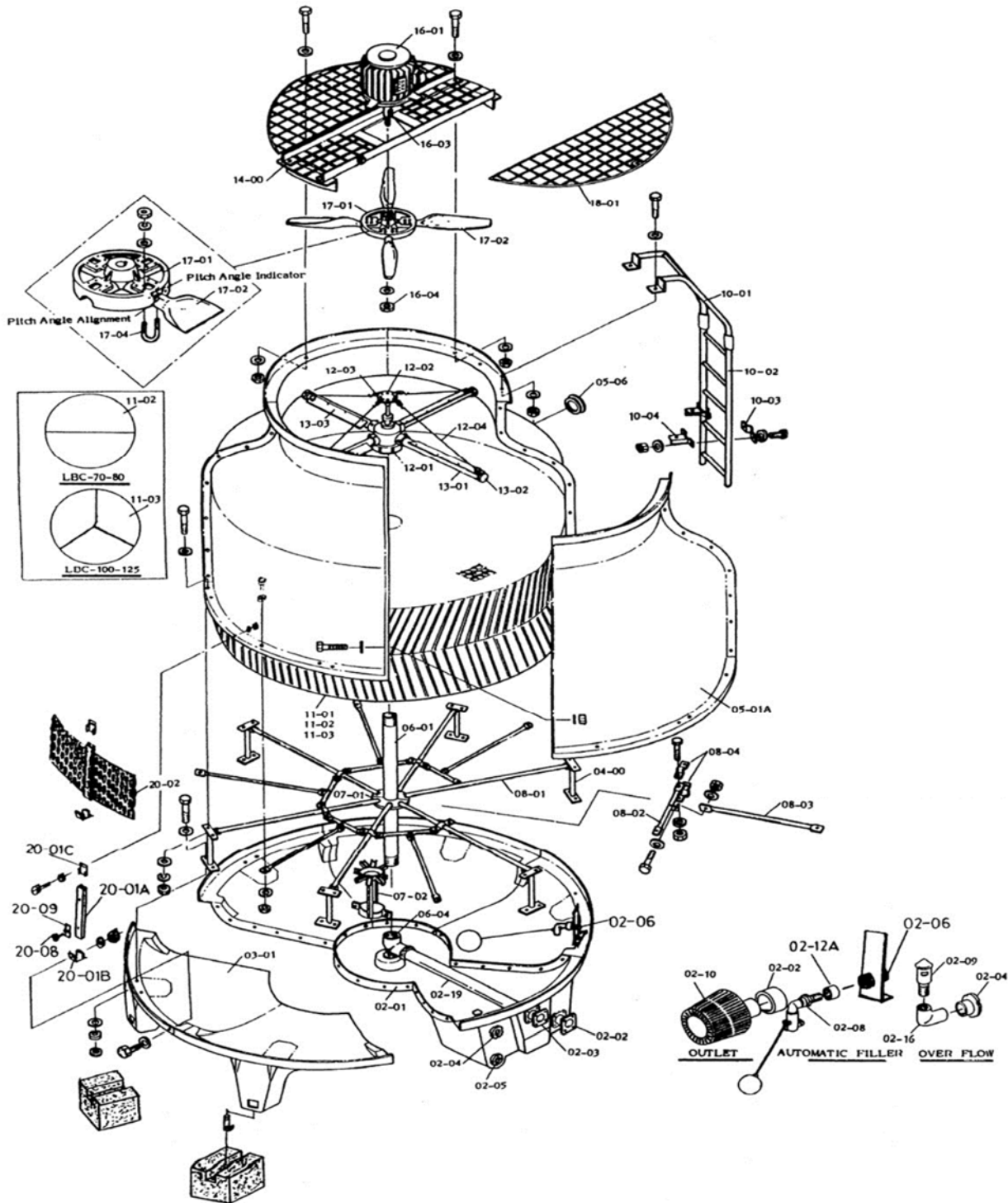
info@coolingtowersystems.com



# PARTS LIST: MODEL T-270

FOR ASSEMBLY DIAGRAM				FOR ASSEMBLY DIAGRAM			
Ref. No.	Description	QTY		Ref. No.	Description	QTY	
02-01	Water Sump	1		10-01	Ladder (A Section)	1	
02-02	Outlet Nozzle	1		10-02	Ladder (B Section)	1	
02-03	Inlet Nozzle	1		10-03	Ladder Bracket - A	2	
02-04	Over Flow Nozzle	1		10-04	Ladder Bracket - B	2	
02-05	Drain Nozzle	1		11-02	Filling 1/2 Section	4	
02-06	Automatic Filler Nozzle	1		11-03	Filling 1-3 Section	-	
02-07	Quick Filler Nozzle	1		12-01	Sprinkler Head	1	
02-08	Float Valve Assembly	1		12-02	Center Post	1	
02-09	Over Flow	1		12-03	Turnbuckle	4	
02-10	Suction Strainer	1		12-04	Tension Wire	4	
02-12A	Z Type Connector	1		13-01	Sprinkler Pipe	4	
02-16	Elbow	1		13-02	End Cap	4	
02-19	Inlet Pipe	1		13-03	Eliminator	4	
03-01	Water Basin	5		14-00	Motor Frame Assembly	4	
04-00	Casing Supporter	6		16-01	Fan Motor	1	
05-01A	Casing	4		16-03	Fan Key	1	
05-06	Hand Hole Cover	1		16-04	Fasten Nut	1	
06-01	Stand Pipe	1		17-01	Fan Hub	1	
06-04	Stand Pipe Base	1		17-02	Fan Blade	1	
07-01	Stopper	1		17-04	U-Bolt	4	
07-02	Column	-		18-01	Fan Guard	8	
08-01	Filling Supporter - A	6		20-02	Inlet Louver	2	
08-02	Filling Supporter - B	6		20-01-A	Louver Supporter	8	
08-03	Filling Supporter - C	6		20-01-B	Down Plug	8	
08-04	Fill Supt. Clamping Band	12		20-01-C	Up Plug	8	
				20-08	Wing Bolt	16	
				20-09	Plastic Washer	16	
				OTHERS	Bolts & Nuts	1 SET	

## ASSEMBLY DIAGRAM: MODEL T-270



Cooling Tower Systems, Inc.

3170 Mercer University Dr., Macon, GA 31204

TF: 800.752.1905

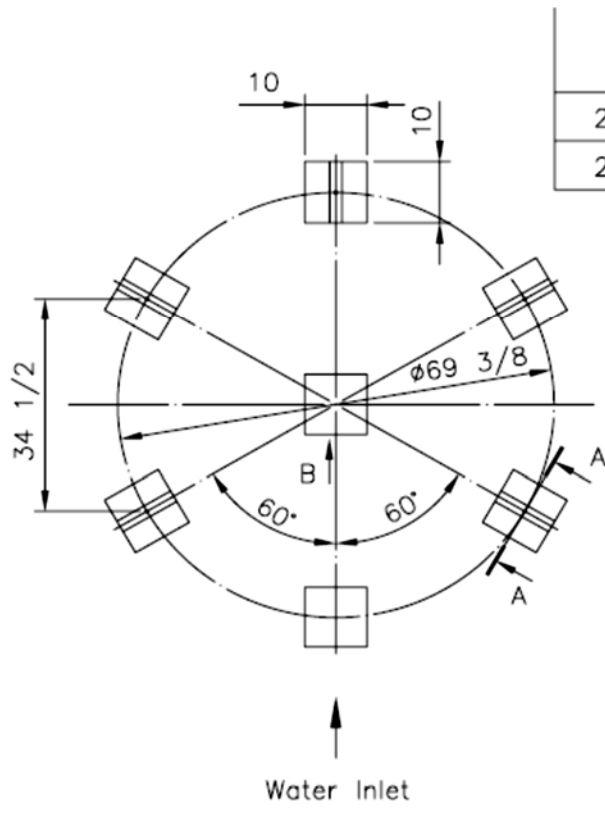
F: 478.755.8304

[www.coolingtowersystems.com](http://www.coolingtowersystems.com)

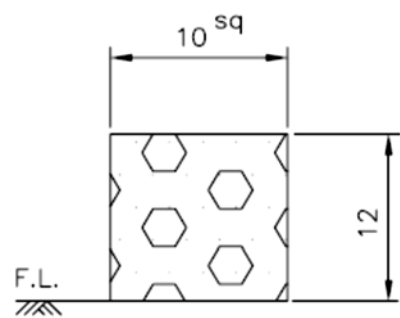
[info@coolingtowersystems.com](mailto:info@coolingtowersystems.com)



**FOUNDATION DRAWING: MODEL T-270** Cooling Tower Systems, Inc.

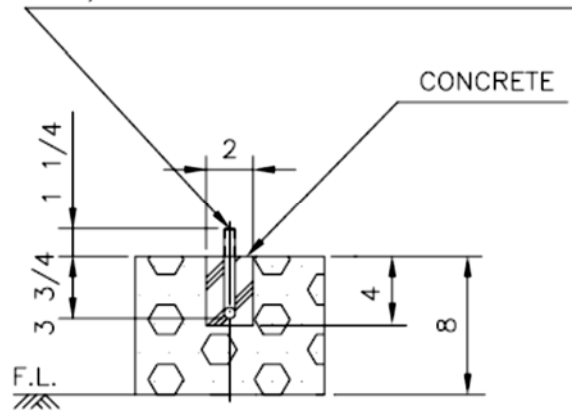


T-	L TYPE ANCHOR BOLT		
	SIZE	L	PCS
270	W 1/2	5	5
280	W 1/2	5	5



B VIEW

1 1/4L ALL THREAD PROJECTION  
W 1/2 X 5L TYPE ANCHOR BOLT 5 PCS



A-A SECTION