



*The Best Just Got Better*

---

# MODEL T-2700

# TOWER SPECIFICATIONS



---

Cooling Tower Systems, Inc.

196 Lower Cherry Street Macon, GA 31201

TF: 800.752.1905

F: 478.755.8304

[www.coolingtowersystems.com](http://www.coolingtowersystems.com)

[info@coolingtowersystems.com](mailto:info@coolingtowersystems.com)



# TOWER SPECIFICATIONS: MODEL T-2700 Cooling Tower Systems, Inc.

| Design and Operating Conditions    |                                 | Water Distribution System Construction Materials |                     |
|------------------------------------|---------------------------------|--|---------------------|
| Tower Type:                        | Counter Flow Induced Draft      | Stand Pipe:                                      | PVC                 |
| Water Flow Rate (GPM):             | 2,101 GPM                       | Sprinkler Head:                                  | AC                  |
| Entering Water Temperature         | 95°F                            | Sprinkler Pipes:                                 | PVC                 |
| Leaving Water Temperature          | 85°F                            | Mechanical Equipment                             |                     |
| Wet Bulb Temperature:              | 75°F                            | Fan Unit:  | One Unit per Tower  |
| Total Fan BHP:                     | 20 HP                           | Type:  | Axial Flow          |
| Total Pump Head:                   | 18.2'                           | Manufacturer:                                    | CTS                 |
| Drift Loss of Water Flow:          | 0.1%                            | Diameter:  | 133 1/8"            |
| Evaporation Loss of Water Flow:    | 0.93%                           | Blade Material:                                  | AC                  |
| Design Wind Load:                  | 41 lbs/sq. ft.                  | Hub Material:                                    | AC                  |
| Structural Details                 |                                 | Nominal Air Volume:                              | 125,000 CFM         |
| Overall Diameter:                  | 259 7/8"                        | Fan Motor  |                     |
| Overall Height:                    | 181 5/16"                       | Number of motors:                                | One Unit per Tower  |
| Dry Weight:                        | 7,863 lbs.                      | Type:  | Induction           |
| Operating Weight:                  | 27,896 lbs.                     | Manufacturer:                                    | CTS                 |
| Basic Tower Construction Materials |                                 | Insulation:                                      | F Class             |
| Tower Support Frame Assembly       | HDGS                            | Rated HP:  | 20 HP               |
| Casing:                            | FRP                             | Voltage and phase:                               | 208-230/460V/3      |
| Casing Supporters                  | HDGS                            | Piping Connections                               |                     |
| Cold Water Basin                   | FRP                             | Primary Water Inlet Diameter                     | 10"                 |
| Filling:                           | PVC                             | Primary Water Outlet Diameter:                   | 10"                 |
| Filling Supports:                  | HDGS                            | Auto fill inlet diameter:                        | 2"                  |
| Fan Guard                          | HDGS                            | Quick fill inlet diameter:                       | 2"                  |
| Mechanical Equipment Supports:     | HDGS                            | Overflow outlet diameter:                        | 4"                  |
| Inlet Louvers:                     | PVC                             | Drain diameter:                                  | 2"                  |
| Bolts, Nuts & Washers:             | STS                             | Water Flow (GPM):                                | 2,101 GPM           |
| Materials Key                      |                                 |  |                     |
| FRP                                | Fiberglass Reinforced Polyester | STS  | Stainless Steel     |
| HDGS                               | Hot Dipped Galvanized Steel     | AC   | Aluminum Alloy Cast |

### Cooling Tower Systems, Inc.

196 Lower Cherry Street Macon, GA 31201

TF: 800.752.1905

F: 478.755.8304

www.coolingtowersystems.com

info@coolingtowersystems.com

# PARTS LIST: MODEL T-2700

| FOR ASSEMBLY DIAGRAM |                          |     |
|----------------------|--------------------------|-----|
| Ref. No.             | Description              | QTY |
| 01-01                | Base Plate - A           | 8   |
| 01-02                | Ring Frame               | 8   |
| 01-03                | Truss Pipe - A1          | 8   |
| 01-04                | Truss Pipe - A2          | 8   |
| 01-06                | Tie Rod                  | 8   |
| 02-01                | Water Sump               | 1   |
| 02-02                | Outlet Nozzle            | 1   |
| 02-03                | Inlet Nozzle             | 1   |
| 02-04                | Over Flow Nozzle         | 1   |
| 02-05                | Drain Nozzle             | 1   |
| 02-06                | Automatic Filler Nozzle  | 1   |
| 02-08                | Float Valve Assembly     | 2   |
| 02-09-01             | Over Flow                | 1   |
| 02-09-02             | Overflow Connector Pipe  | 1   |
| 02-10                | Suction Strainer         | 1   |
| 02-12A               | Connector                | 1   |
| 03-01                | Water Basin              | 16  |
| 04-01                | Base Plate - B           | 8   |
| 04-02                | Stiffener Ring - 1       | 8   |
| 04-03                | Truss Pipe - B1          | 8   |
| 04-04                | Truss Pipe - A1          | 8   |
| 05-01                | Casing (Diffuser)        | 16  |
| 05-02                | Casing (Cylinder)        | 16  |
| 05-06                | Hand Hole Cover          | 1   |
| 06-01                | Stand Pipe               | 1   |
| 06-02                | Stand Pipe Base          | 1   |
| 06-03                | Packing                  | 1   |
| 07-02                | Column                   | 1   |
| 08-01                | Filling Supporter - A    | 8   |
| 08-02                | Filling Supporter - B    | 8   |
| 08-03                | Filling Supporter - C    | 24  |
| 08-04                | Fill Supt. Clamping Band | 16  |
| 08-06                | Filling Supporter - E    | 16  |
| 10-01-1              | Ladder (A Section - 1)   | 1   |
| 10-01-2              | Ladder (A Section - 2)   | 1   |
| 10-02                | Ladder (B Section)       | 1   |
| 10-03                | Ladder Bracket - A       | 2   |
| 10-04                | Ladder Bracket - B       | 2   |
| 11-01                | Filling (Inner Section)  | -   |
| 11-03                | Filling (1/3 Section)    | 6   |
| 11-06                | Filling (1/6 Section)    | -   |
| 11-08                | Filling (1/8 Section)    | 16  |
| 11-09                | Filling (1/10 Section)   | -   |
| 12-01                | Sprinkler Head           | 1   |
| 12-02                | Center Post              | 1   |
| 12-03                | Turnbuckle               | 8   |
| 12-04                | Tension Wire             | 8   |
| 13-01                | Sprinkler Pipe           | 8   |
| 13-02                | End Cap                  | 8   |
| 13-03                | Eliminator               | 8   |
| 14-01                | Frame Ass'y Main Pipe    | 2   |
| 14-02                | Frame Ass'y Stay Pipe    | 2   |
| 15-01                | Motor Base               | 1   |
| 15-02                | U-Bolt                   | 4   |
| 15-03                | U-Bolt                   | 4   |
| 16-01                | Motor                    | 1   |
| 16-02                | Speed Reducer            | 1   |

|        |                       |       |
|--------|-----------------------|-------|
| 16-03  | Fan Key               | 1     |
| 16-04  | Fasten Nut            | 1     |
| 16-05  | Lock Nut              | 1     |
| 17-01  | Fan Hub               | 1     |
| 17-02  | Fan Blade             | 4     |
| 17-04  | U-Bolt                | 8     |
| 18-01  | Fan Guard             | 8     |
| 19-00  | Basin Supporter Ass'y | 16    |
| 20-01  | Louver Supporter      | 48    |
| 20-01B | Louver Supporter - B  | 48    |
| 20-02  | Inlet Louver          | 16    |
| 20-08  | Wing Bolt             | 144   |
| 20-09  | Plastic Washer        | 144   |
| OTHERS | Bolts & Nuts          | 1 SET |

| FOR TECHNICAL DIAGRAMS |                      |          |        |
|------------------------|----------------------|----------|--------|
| Item                   | Description          | Material | QTY    |
| 1                      | Fan Motor            | -        | 1 pcs  |
| 2                      | V-Belt Reducer       | -        | 1 set  |
| 3                      | Motor Frame Assembly | HDGS     | 1 set  |
| 4                      | Fan                  | AC       | 1 set  |
| 5                      | Fan Guard            | HDGS     | 1 set  |
| 6                      | Casing               | FRP      | 16 pcs |
| 7                      | Hand Hole            | EVA      | 1 pcs  |
| 8                      | Sprinkler Head       | AC       | 1 set  |
| 9                      | Sprinkler Pipe       | PVC      | 8 pcs  |
| 10                     | Eliminator           | FRP      | 8 pcs  |
| 11                     | Tension Device       | HDGS     | 1 set  |
| 12                     | Stand Pipe           | PVC      | 1 set  |
| 13                     | Filling              | PVC      | 1 set  |
| 14                     | Stopper or Column    | HDGS     | 1 set  |
| 15                     | Filling Supporter    | HDGS     | 1 set  |
| 16                     | Casing Supporter     | HDGS     | 6 pcs  |
| 17                     | Inlet Louver         | PVC      | 1 set  |
| 18                     | Frame Assembly       | HDGS     | 1 set  |
| 19                     | Water Basin          | FRP      | 12 pcs |
| 20                     | Water Sump           | FRP      | 1 pcs  |
| 21                     | Ladder               | HDGS     | 1 set  |
| 22                     | Strainer             | HDGS     | 1 pcs  |
| 23                     | Flange               | HDGS     | 2 pcs  |
| 24                     | Basin Supporter      | HDGS     | 16 pcs |

| Materials Key                |                                 |
|------------------------------|---------------------------------|
| FRP                          | Fiberglass Reinforced Polyester |
| HDGS                         | Hot Dipped Galvanized Steel     |
| STS                          | Stainless Steel                 |
| AC                           | Aluminum Alloy Cast             |
| Water Basin Sealing Material |                                 |
| Fiberglass                   | 1 Set—A                         |
| Polyester                    | 1 Keg—B                         |
| Catalyst                     | 1 Bottle—C                      |

Cooling Tower Systems, Inc.

196 Lower Cherry Street Macon, GA 31201

TF: 800.752.1905

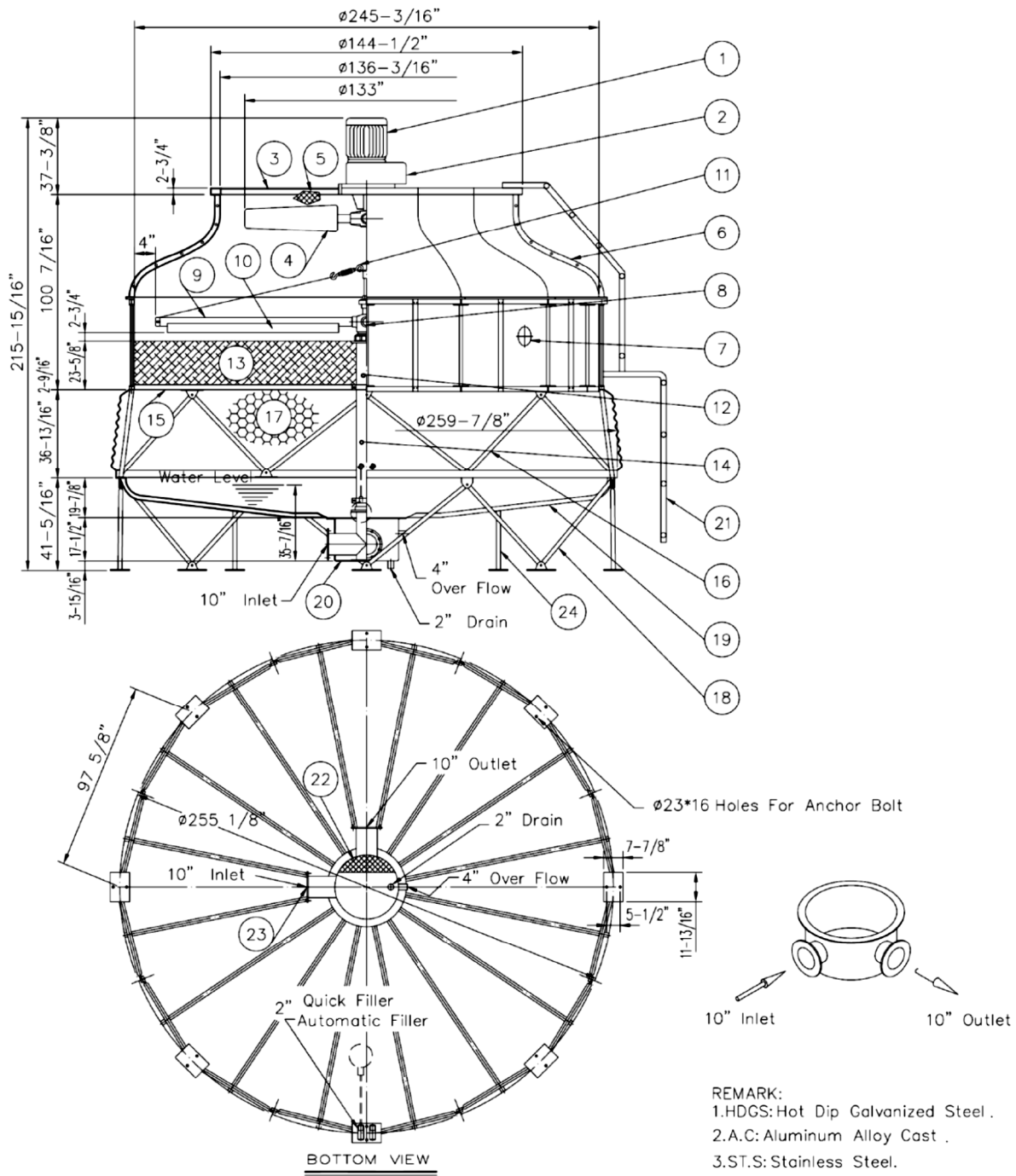
F: 478.755.8304

www.coolingtowersystems.com

info@coolingtowersystems.com



TECHNICAL IMAGE A: MODEL T-2700



Cooling Tower Systems, Inc.

196 Lower Cherry Street Macon, GA 31201

TF: 800.752.1905

F: 478.755.8304

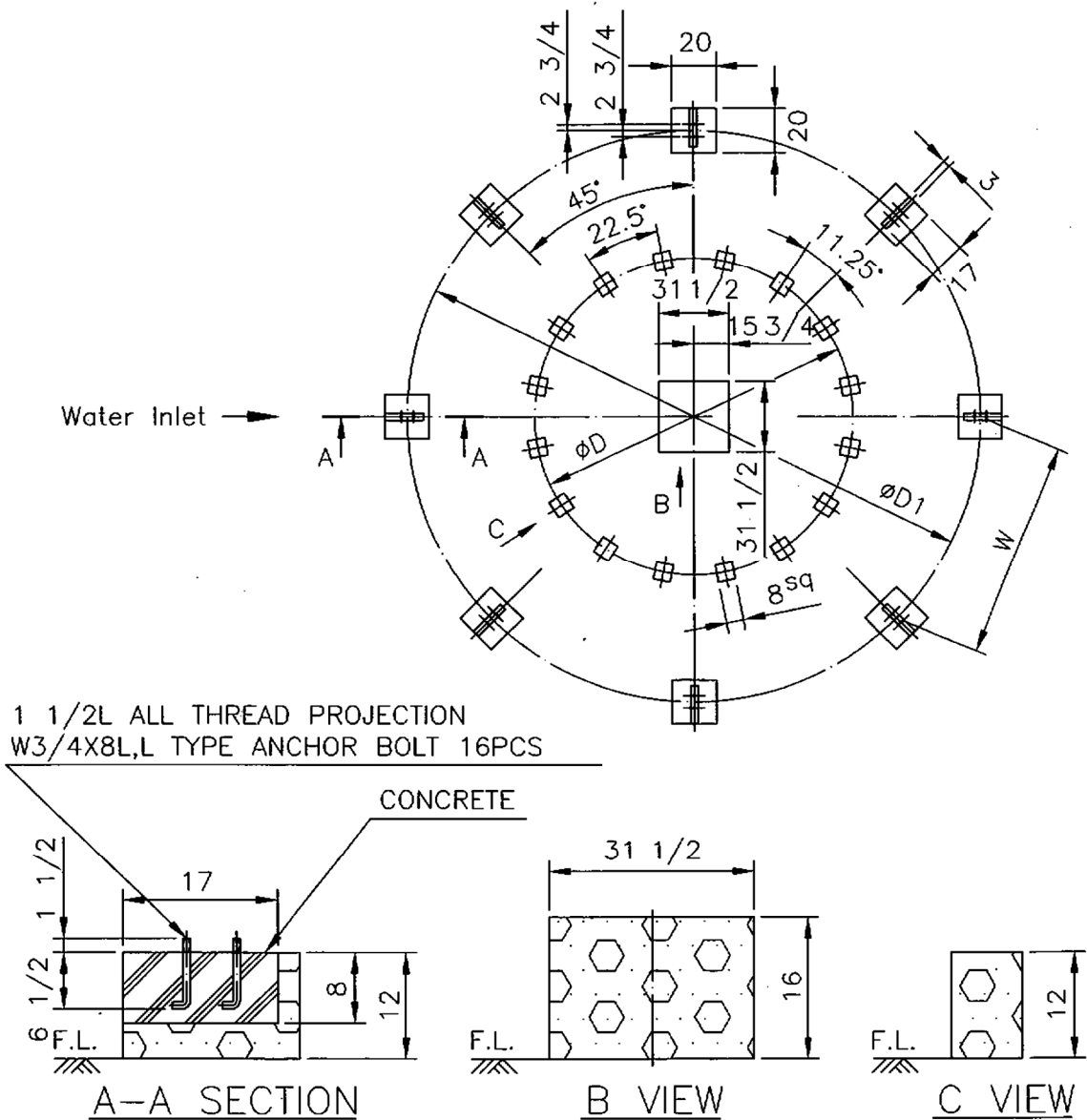
www.coolingtowersystems.com

info@coolingtowersystems.com



# FOUNDATION DRAWING: MODEL T-2700 Cooling Tower Systems, Inc.

| T-   | øD      | W      | øD1     | L TYPE ANCHOR BOLT |   |     |
|------|---------|--------|---------|--------------------|---|-----|
|      |         |        |         | SIZE               | L | PCS |
| 2600 | 141 3/4 | 97 5/8 | 255 1/8 | W3/4               | 8 | 16  |
| 2700 | 141 3/4 | 97 5/8 | 255 1/8 | W3/4               | 8 | 16  |
| 2800 | 163 1/2 | 113    | 295 1/4 | W3/4               | 8 | 16  |
| 3000 | 163 1/2 | 113    | 295 1/4 | W3/4               | 8 | 16  |



**Cooling Tower Systems, Inc.**

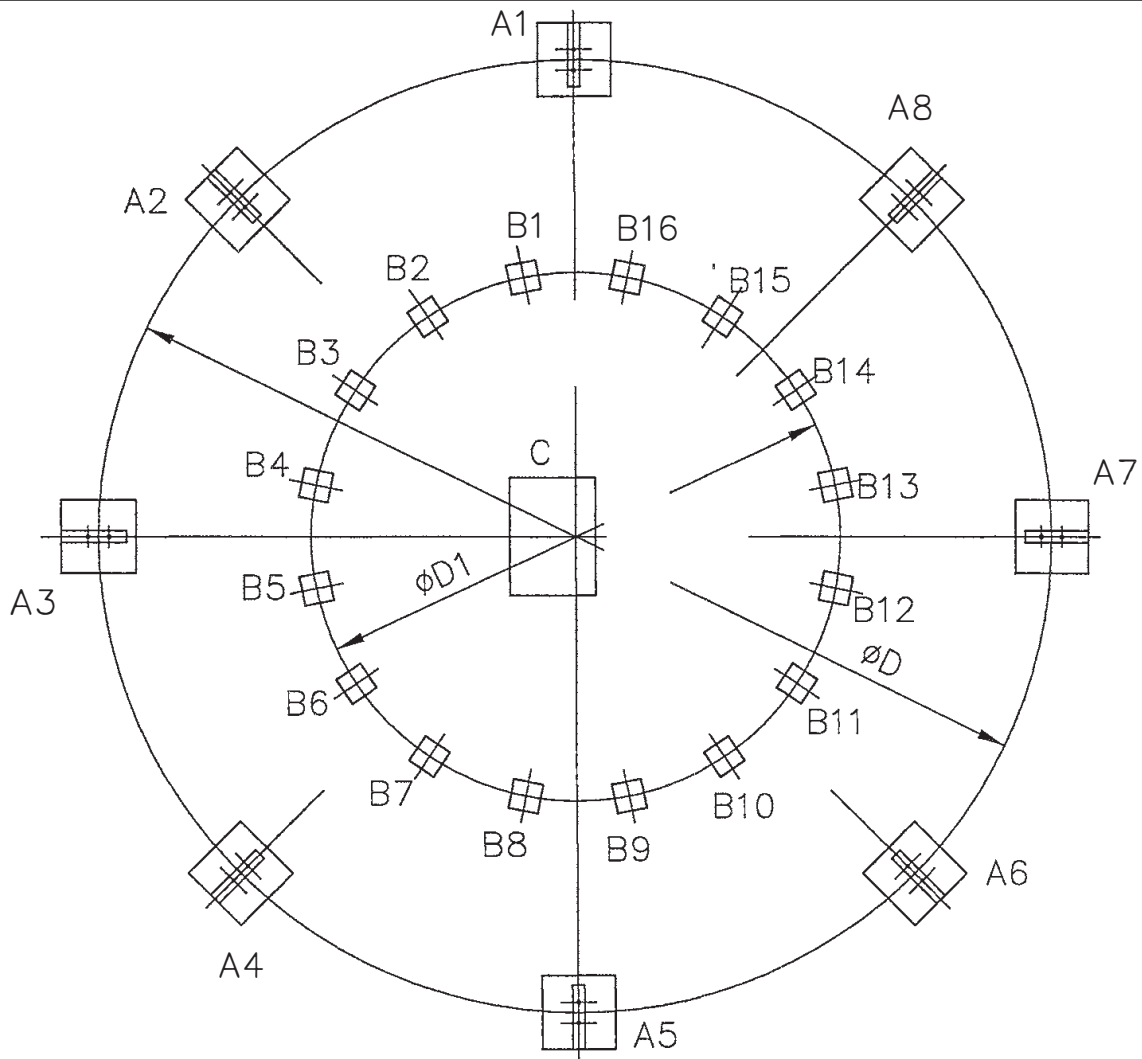
196 Lower Cherry Street Macon, GA 31201

TF: 800.752.1905

F: 478.755.8304

www.coolingtowersystems.com

info@coolingtowersystems.com



| TOWER MODEL<br>T-2 | $\phi D$ | $\phi D1$ | DEAD LOAD |            |         |
|--------------------|----------|-----------|-----------|------------|---------|
|                    |          |           | A1=...=A8 | B1=...=B16 | C       |
| 600                | 255 1/8" | 141 3/4"  | 1602lb    | 250lb      | 10627lb |
| 700                | 255 1/8" | 141 3/4"  | 1635lb    | 244lb      | 10904lb |
| 800                | 295 1/4" | 163 1/2"  | 2461lb    | 345lb      | 16140lb |
| 1000               | 295 1/4" | 163 1/2"  | 2524lb    | 327lb      | 16502lb |

| TOWER MODEL<br>T-2/3 | LIVE LOAD |            |        |
|----------------------|-----------|------------|--------|
|                      | A1=...=A8 | B1=...=B16 | C      |
| 600                  | 433lb     | 68lb       | 2870lb |
| 700                  | 459lb     | 72lb       | 3044lb |
| 800                  | 563lb     | 88lb       | 3737lb |
| 1000                 | 596lb     | 94lb       | 3956lb |