



MODEL T-260 TOWER SPECIFICATIONS





TOWER SPECIFICATIONS: MODEL T-260 Cooling Tower Systems, Inc.

Design and Operating Conditions		Water Distribution System Construction Materials	
Tower Type:	Counter Flow Induced Draft	Stand Pipe:	PVC
Water Flow Rate (GPM):	177 GPM	Sprinkler Head:	AC
Entering Water Temperature	95°F	Sprinkler Pipes:	PVC
Leaving Water Temperature	85°F	Mechanical Equipment	
Wet Bulb Temperature:	75°F	Fan Unit:	One Unit per Tower
Total Fan BHP:	1.5 HP	Type:	Axial Flow
Total Pump Head:	6.6'	Manufacturer:	CTS
Drift Loss of Water Flow:	0.1%	Diameter:	46"
Evaporation Loss of Water Flow:	0.93%	Blade Material:	AC
Design Wind Load:	30.7 lbs/sq. ft.	Hub Material:	AC
Structural Details		Nominal Air Volume:	14,700 CFM
Overall Diameter:	78 3/4"	Fan Motor	
Overall Height:	74 11/16"	Number of motors:	One Unit per Tower
Dry Weight:	437 lbs.	Type:	Induction
Operating Weight:	1,752 lbs.	Manufacturer:	CTS
Basic Tower Construction Materials		Insulation:	F Class
Tower Support Frame Assembly	-	Rated HP:	1.5 HP
Casing:	FRP	Voltage and phase:	208-230/460V/3
Casing Supporters	Nylon	Piping Connections	
Cold Water Basin	FRP	Primary Water Inlet Diameter	3"
Filling:	PVC	Primary Water Outlet Diameter:	3"
Filling Supports:	HDGS	Auto fill inlet diameter:	3/4"
Fan Guard	HDGS	Quick fill inlet diameter:	-
Mechanical Equipment Supports:	HDGS	Overflow outlet diameter:	1"
Inlet Louvers:	PVC	Drain diameter:	1"
Bolts, Nuts & Washers:	STS	Water Flow (GPM):	177 GPM
Materials Key			
FRP	Fiberglass Reinforced Polyester	STS	Stainless Steel
HDGS	Hot Dipped Galvanized Steel	AC	Aluminum Alloy Cast

Cooling Tower Systems, Inc.

196 Lower Cherry Street Macon, GA 31201

TF: 800.752.1905

F: 478.755.8304

www.coolingtowersystems.com

info@coolingtowersystems.com

PARTS LIST: MODEL T-260

FOR ASSEMBLY DIAGRAM			FOR TECHNICAL DIAGRAMS			
Ref. No.	Description	QTY	Item No.	Description	Material	QTY
02-01	Water Sump	1	1	Fan Motor	-	1 pcs
02-02	Outlet Nozzle	1	2	V-Belt Reducer	-	-
02-03	Inlet Nozzle	1	3	Motor Frame Assembly	HDGS	1 set
02-04	Over Flow Nozzle	1	4	Fan Blade Assembly	AC	1 set
02-05	Drain Nozzle	1	5	Fan Guard	HDGS	1 set
02-06	Automatic Filler Nozzle	1	6	Casing	FRP	4 pcs
02-08	Float Valve Assembly	1	7	Hand Hole	EVA	1 pcs
02-09	Over Flow	1	8	Sprinkler Head	Nylon	1 set
02-10	Suction Strainer	1	9	Sprinkler Pipes	PVC	4 pcs
02-12A	Connector	1	10	Eliminator	PVC	4 pcs
02-16	Elbow	1	11	Tension Device	-	-
02-19	Inlet Pipe	1	12	Stand Pipe	PVC	1 set
03-01	Water Basin	2	13	Filling	PVC	1 set
04-00	Casing Supporter	4	14	Stopper or Column	AC	1 set
05-01A	Casing	4	15	Filling Supporter	HDGS	1 set
05-06	Hand Hole Cover	1	16	Casing Supporter	Nylon	4 pcs
06-01	Stand Pipe	1	17	Inlet Louver	PVC	1 set
06-04	Stand Pipe Base	1	18	Frame Assembly	-	-
07-01	Stopper	1	19	Water Basin	FRP	2 pcs
08-01	Filling Supporter - A	4	20	Water Sump	FRP	1 pcs
08-02	Filling Supporter - C	4	21	Ladder	HDGS	1 set
10-00	Ladder	1	22	Strainer	PE	1 pcs
10-03	Ladder Bracket - A	2	23	Flange	-	-
10-04	Ladder Bracket - B	2	24	Basin Supporter	-	-
11-00	Filling	2				
12-01	Sprinkler Head	1				
12-04	Tension Wire	2				
13-01	Sprinkler Pipe	4				
13-02	End Cap	4				
13-03	Eliminator	4				
13-04	Lock Nut	4				
14-00	Motor Frame Assembly	1				
16-01	Fan Motor	1				
16-03	Fan Key	1				
16-04	Fasten Nut	1				
17-00	Fan Assembly	1				
17-01	Fan Hub	1				
17-02	Fan Blade	4				
17-04	U-Bolt	8				
18-01	Fan Guard	2				
20-01A	Inlet louver supporter	8				
20-01B	Down Plug	8				
20-01C	Up Plug	8				
20-02	Inlet Louver	8				
20-08	Wing Bolt	16				
20-09	Plastic Washer	16				
OTHER	Nuts and bolts	1 set				

Materials Key	
FRP	Fiberglass Reinforced Polyester
HDGS	Hot Dipped Galvanized Steel
STS	Stainless Steel
AC	Aluminum Alloy Cast

Water Basin Sealing Material	
Fiberglass	1 Set—A
Polyester Resin	1 Keg—B
Catalyst	1 Bottle—C

Cooling Tower Systems, Inc.

196 Lower Cherry Street Macon, GA 31201

TF: 800.752.1905

F: 478.755.8304

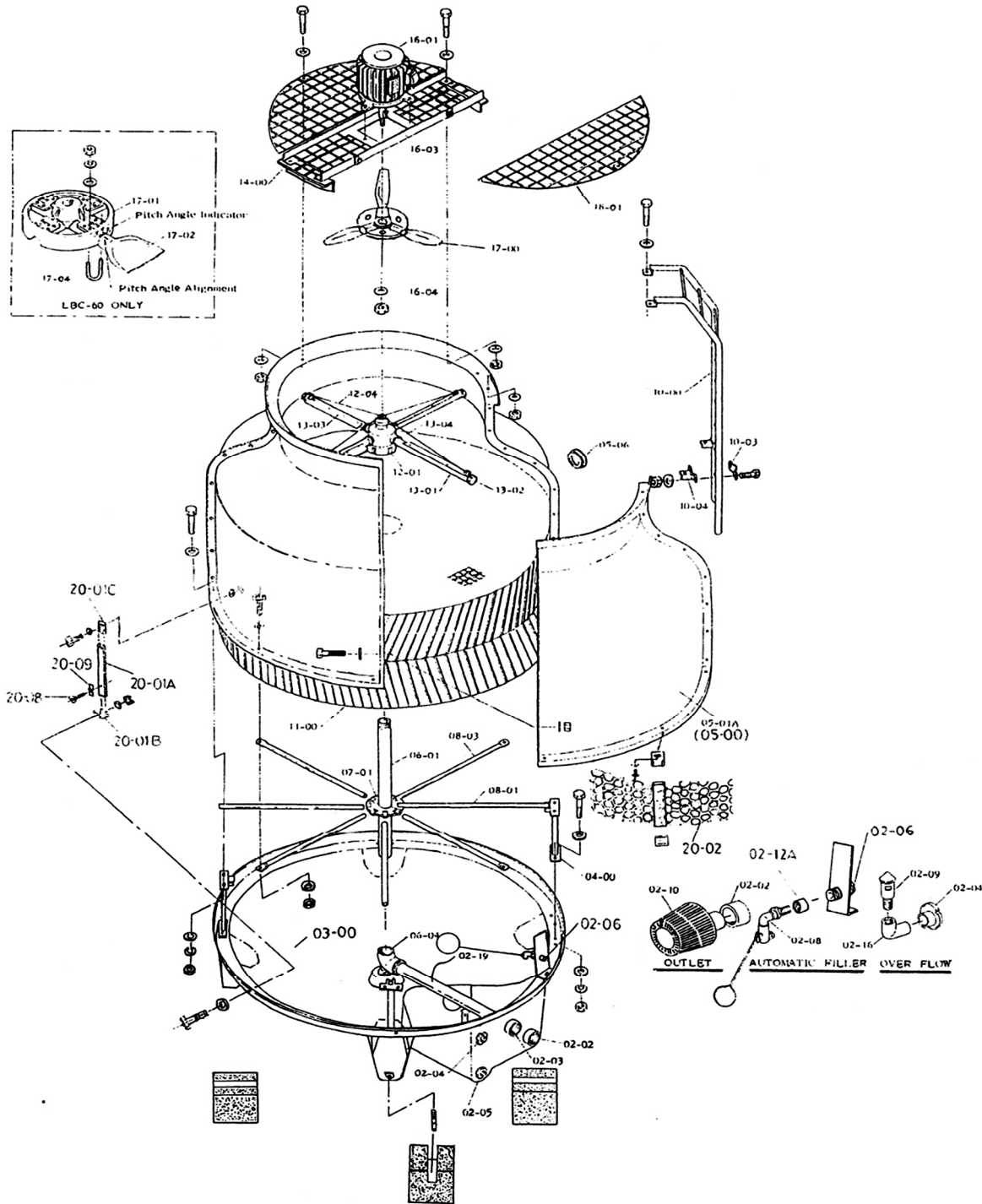
www.coolingtowersystems.com

info@coolingtowersystems.com



Cooling Tower Systems, Inc.

ASSEMBLY DIAGRAM: MODEL T-260



Cooling Tower Systems, Inc.

196 Lower Cherry Street Macon, GA 31201

TF: 800.752.1905

F: 478.755.8304

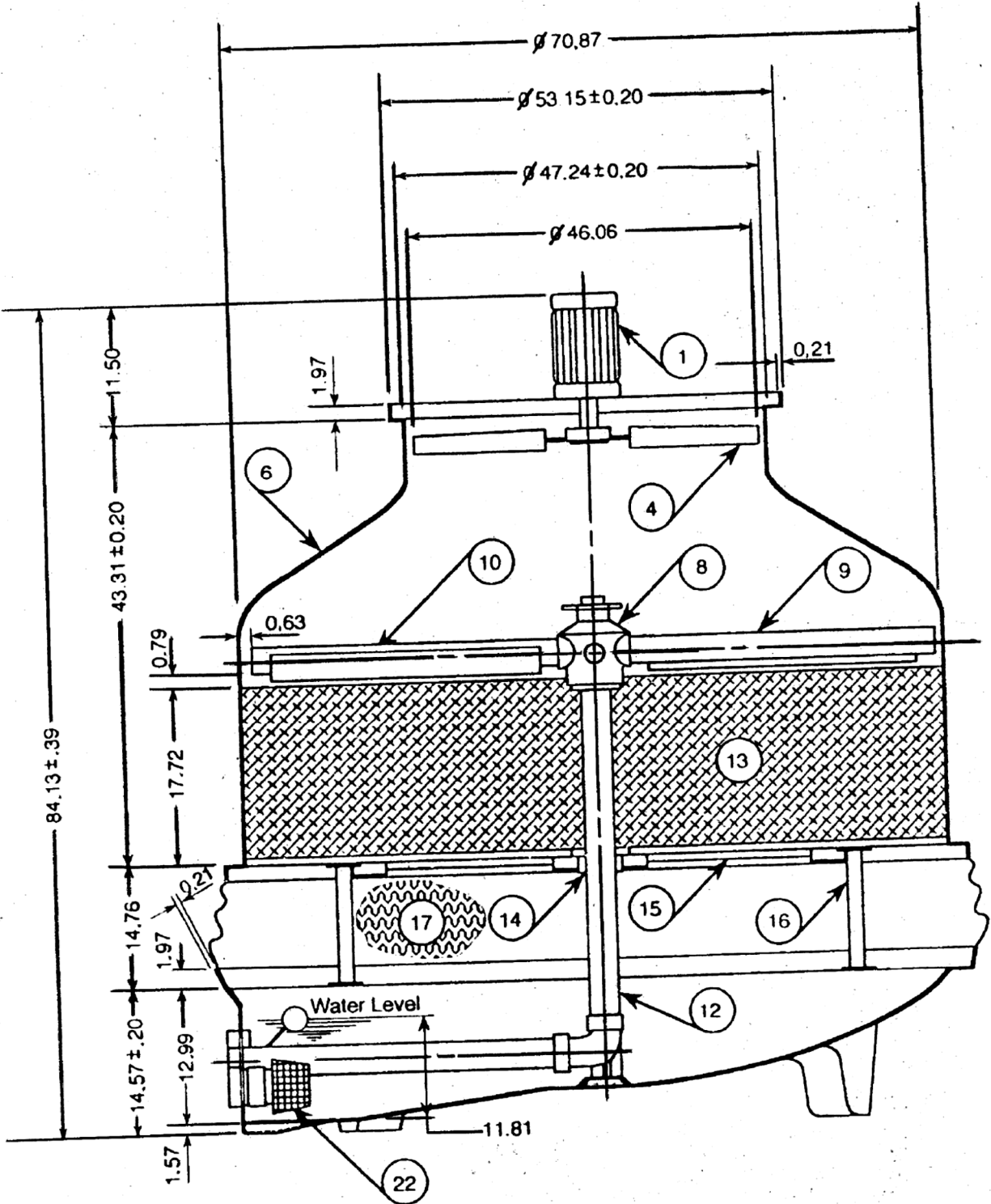
www.coolingtowersystems.com

info@coolingtowersystems.com



Cooling Tower Systems, Inc.

TECHNICAL IMAGE A: MODEL T-260



Cooling Tower Systems, Inc.

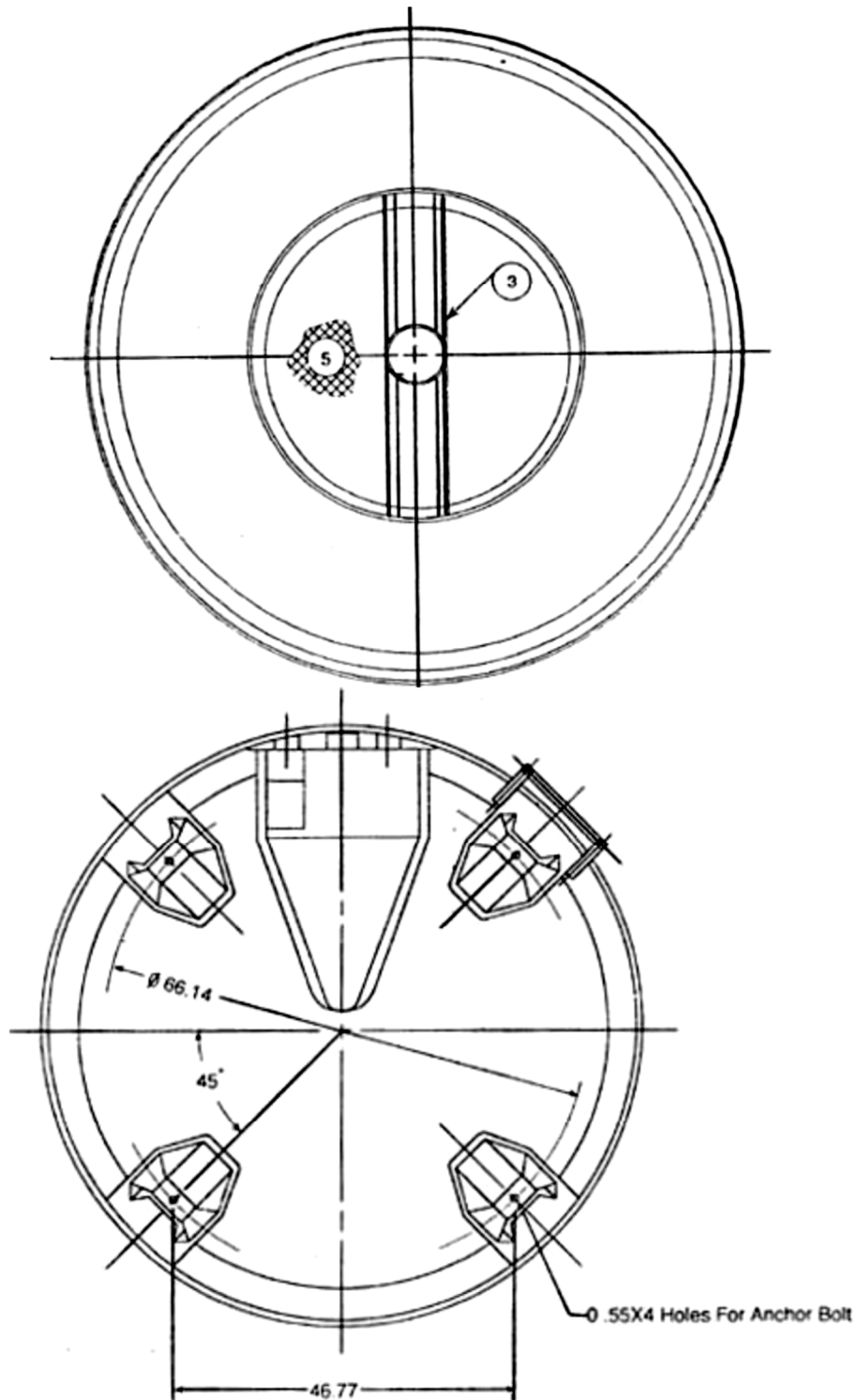
196 Lower Cherry Street Macon, GA 31201

TF: 800.752.1905

F: 478.755.8304

www.coolingtowersystems.com

info@coolingtowersystems.com



Cooling Tower Systems, Inc.

196 Lower Cherry Street Macon, GA 31201

TF: 800.752.1905

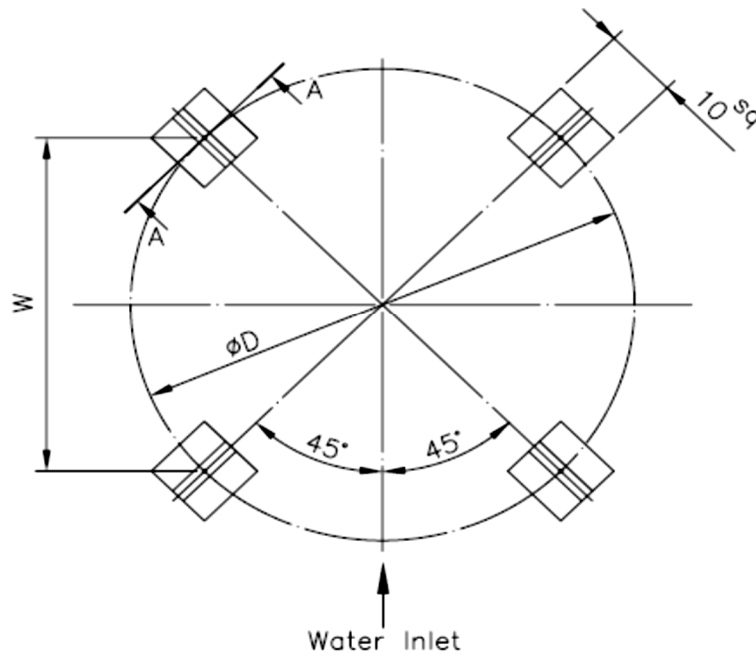
F: 478.755.8304

www.coolingtowersystems.com

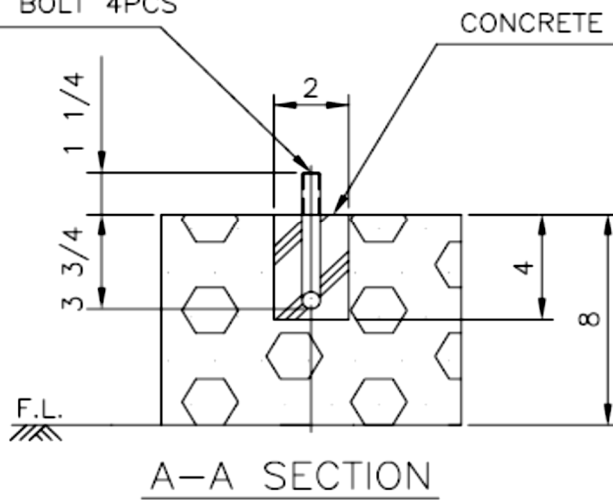
info@coolingtowersystems.com

FOUNDATION DRAWING: MODEL T-260 Cooling Tower Systems, Inc.

T-	øD	W	L TYPE ANCHOR BOLT		
			SIZE	L	PCS
240	57 7/8	40 7/8	W1/2	5	4
250	66 1/8	46 3/4	W1/2	5	4
260	66 1/8	46 3/4	W1/2	5	4



1 1/4" ALL THREAD PROJECTION
 W1/2x5L, L TYPE ANCHOR BOLT 4PCS



Cooling Tower Systems, Inc.

196 Lower Cherry Street Macon, GA 31201

TF: 800.752.1905

F: 478.755.8304

www.coolingtowersystems.com

info@coolingtowersystems.com