



MODEL T-25 TOWER SPECIFICATIONS





TOWER SPECIFICATIONS: MODEL T-25

Cooling Tower Systems, Inc.

Design and Operating Conditions		Water Distribution System Construction Materials	
Tower Type:	Counter Flow Induced Draft	Stand Pipe:	PVC
Water Flow Rate (GPM):	15 GPM	Sprinkler Head:	Nylon
Entering Water Temperature	95°F	Sprinkler Pipes:	PVC
Leaving Water Temperature	85°F	Mechanical Equipment	
Wet Bulb Temperature:	75°F	Fan Unit:	One Unit per Tower
Total Fan BHP:	1/6 HP	Type:	Axial Flow
Total Pump Head:	5.0'	Manufacturer:	CTS
Drift Loss of Water Flow:	0.1%	Diameter:	19.5 in
Evaporation Loss of Water Flow:	0.93%	Blade Material:	Nylon
Design Wind Load:	30.7 lbs/sq. ft.	Hub Material:	Nylon
Structural Details		Nominal Air Volume:	2,100 CFM
Overall Diameter:	33.5"	Fan Motor	
Overall Height:	52"	Number of motors:	One Unit per Tower
Dry Weight:	86 lbs.	Type:	Induction
Operating Weight:	251 lbs.	Manufacturer:	CTS
Basic Tower Construction Materials		Insulation:	E Class
Tower Support Frame Assembly	-	Rated HP:	1/6 HP
Casing:	FRP	Voltage and phase:	110/220V/1
Casing Supporters	Nylon	Piping Connections	
Cold Water Basin	FRP	Primary Water Inlet Diameter	1.5"
Filling:	PVC	Primary Water Outlet Diameter:	1.5"
Filling Supports:	PVC	Auto fill inlet diameter:	1.5"
Fan Guard	PP	Quick fill inlet diameter:	.5"
Mechanical Equipment Supports:	HDGS	Overflow outlet diameter:	1"
Inlet Louvers:	PVC	Drain diameter:	3/4"
Bolts, Nuts & Washers:	STS	Water Flow (GPM):	15 GPM

Materials Key

FRP	Fiberglass Reinforced Polyester	STS	Stainless Steel
HDGS	Hot Dipped Galvanized Steel	AC	Aluminum Alloy Cast

Cooling Tower Systems, Inc.

3170 Mercer University Dr., Macon, GA 31204

TF: 800.752.1905

F: 478.755.8304

www.coolingtowersystems.com

info@coolingtowersystems.com

PARTS LIST: MODEL T-25



FOR TECHNICAL DIAGRAMS				FOR ASSEMBLY DIAGRAM		
Item No.	Description	Material	QTY	Ref. No.	Description	QTY
1	Fan Motor	-	1 pcs	02-02	Outlet Nozzle	1
2	V-Belt Reducer	-	-	02-03	Inlet Nozzle	1
3	Motor Frame Assembly	HDGS	1 set	02-04	Over Flow Nozzle	1
4	Fan Blade Assembly	Nylon	1 set	02-05	Drain Nozzle	1
5	Fan Guard	PP	1 set	02-06	Automatic Filler Nozzle	1
6	Casing	FRP	3 pcs	02-07	Quick Filler Nozzle	1
7	Hand Hole	EVA	1 pcs	02-08	Float Valve Assembly	1
8	Sprinkler Head	Nylon	1 set	02-09	Over Flow	1
9	Sprinkler Pipes	PVC	4 pcs	02-10	Suction Strainer	1
10	Eliminator	-	-	02-12A	Z Type Connector	1
11	Tension Device	-	-	02-16	Elbow	1
12	Stand Pipe	PVC	1 set	02-19	Inlet Pipe	1
13	Filling	PVC	1 set	03-00	Water Basin	1
14	Stopper or Column	PP	1 set	04-00	Casing Supporter	3
15	Filling Supporter	PVC	1 set	05-01A	Casing	3
16	Casing Supporter	Nylon	3 pcs	05-06	Hand Hole Cover	1
17	Inlet Louver	PVC	1 set	06-01	Stand Pipe	1
18	Frame Assembly	-	-	06-04	Stand Pipe Base	1
19	Water Basin	FRP	1 pcs	07-01	Stopper	1
20	Water Sump	-	-	08-01	Filling Supporter - A	3
21	Ladder	-	-	11-00	Filling	2
22	Strainer	PE	1 pcs	12-01	Sprinkler Head	1
23	Flange	-	-	13-01	Sprinkler Pipe	4
24	Basin Supporter	-	-	13-02	End Cap	-
				13-03	Eliminator	-
				13-04	Lock Nut	4
				14-00	Motor Frame Assembly	1
				16-01	Fan Motor	1
				16-03	Fan Key	1
				16-04	Fasten Nut	1
				17-00	Fan Assembly	1
				18-01	Fan Guard	1
				20-02	Inlet Louver	3
				20-10	Louver Bracket	-
				20-11	Knob Pin	6
				OTHERS	Bolts & Nuts	1 SET

Materials Key	
FRP	Fiberglass Reinforced Polyester
HDGS	Hot Dipped Galvanized Steel
STS	Stainless Steel
AC	Aluminum Alloy Cast

Cooling Tower Systems, Inc.

3170 Mercer University Dr., Macon, GA 31204

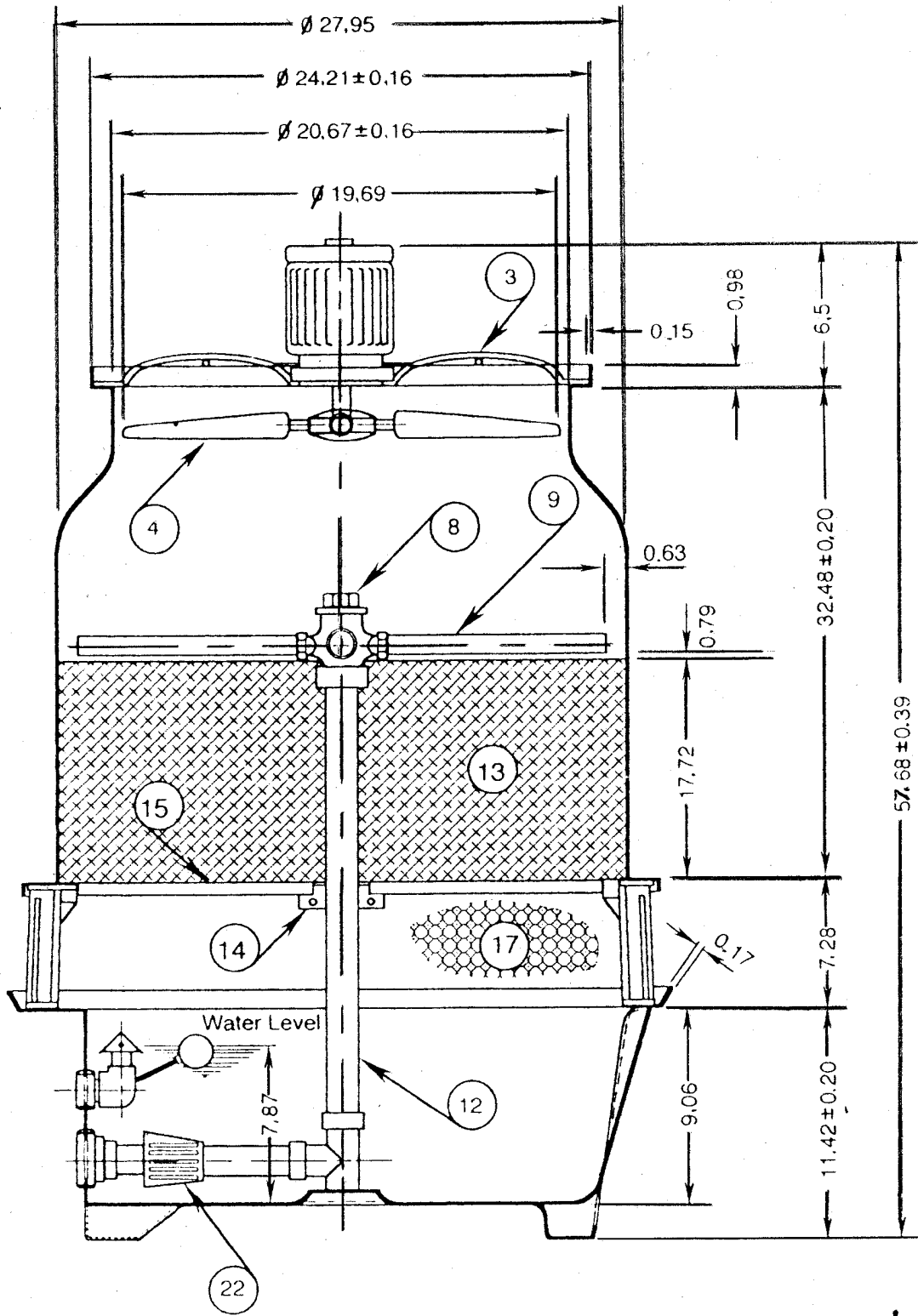
TF: 800.752.1905

F: 478.755.8304

www.coolingtowersystems.com

info@coolingtowersystems.com

TECHNICAL IMAGE A: MODEL T-25



Cooling Tower Systems, Inc.

3170 Mercer University Dr., Macon, GA 31204

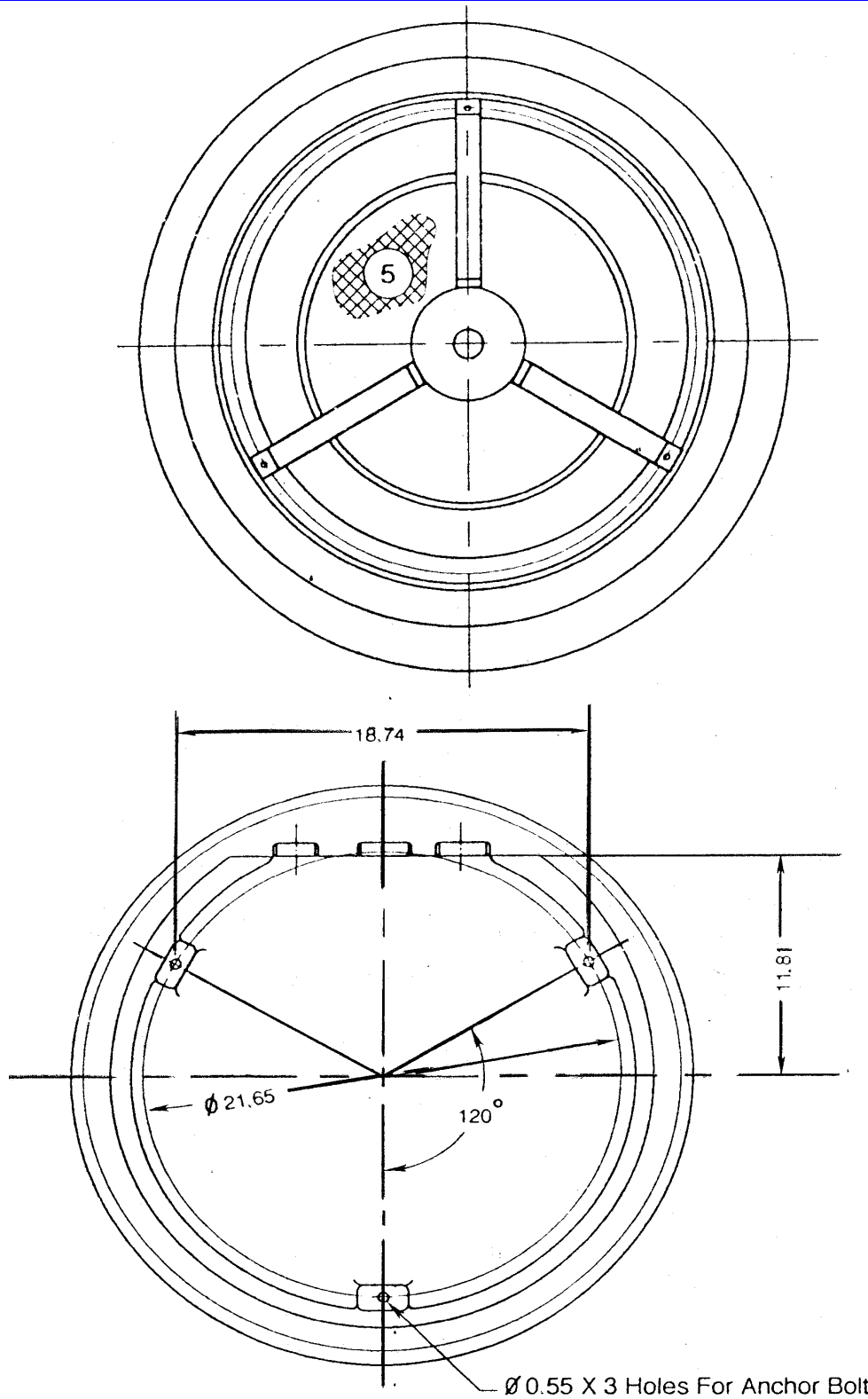
TF: 800.752.1905

F: 478.755.8304

www.coolingtowersystems.com

info@coolingtowersystems.com

TECHNICAL IMAGE B & C: MODEL T-25



Cooling Tower Systems, Inc.

3170 Mercer University Dr., Macon, GA 31204

TF: 800.752.1905

F: 478.755.8304

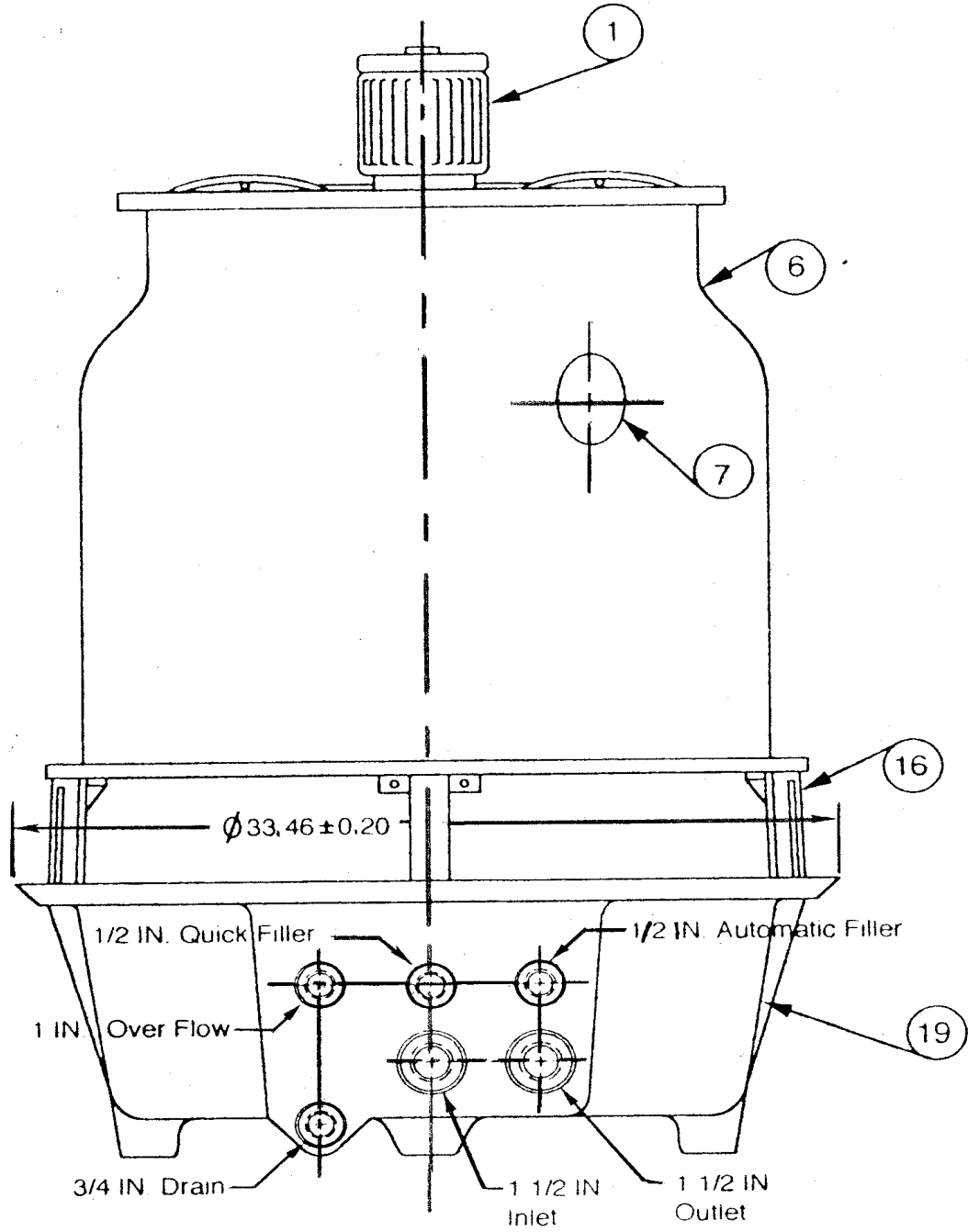
www.coolingtowersystems.com

info@coolingtowersystems.com

TECHNICAL IMAGE D: MODEL T-25



Cooling Tower Systems, Inc.



Cooling Tower Systems, Inc.

3170 Mercer University Dr., Macon, GA 31204

TF: 800.752.1905

F: 478.755.8304

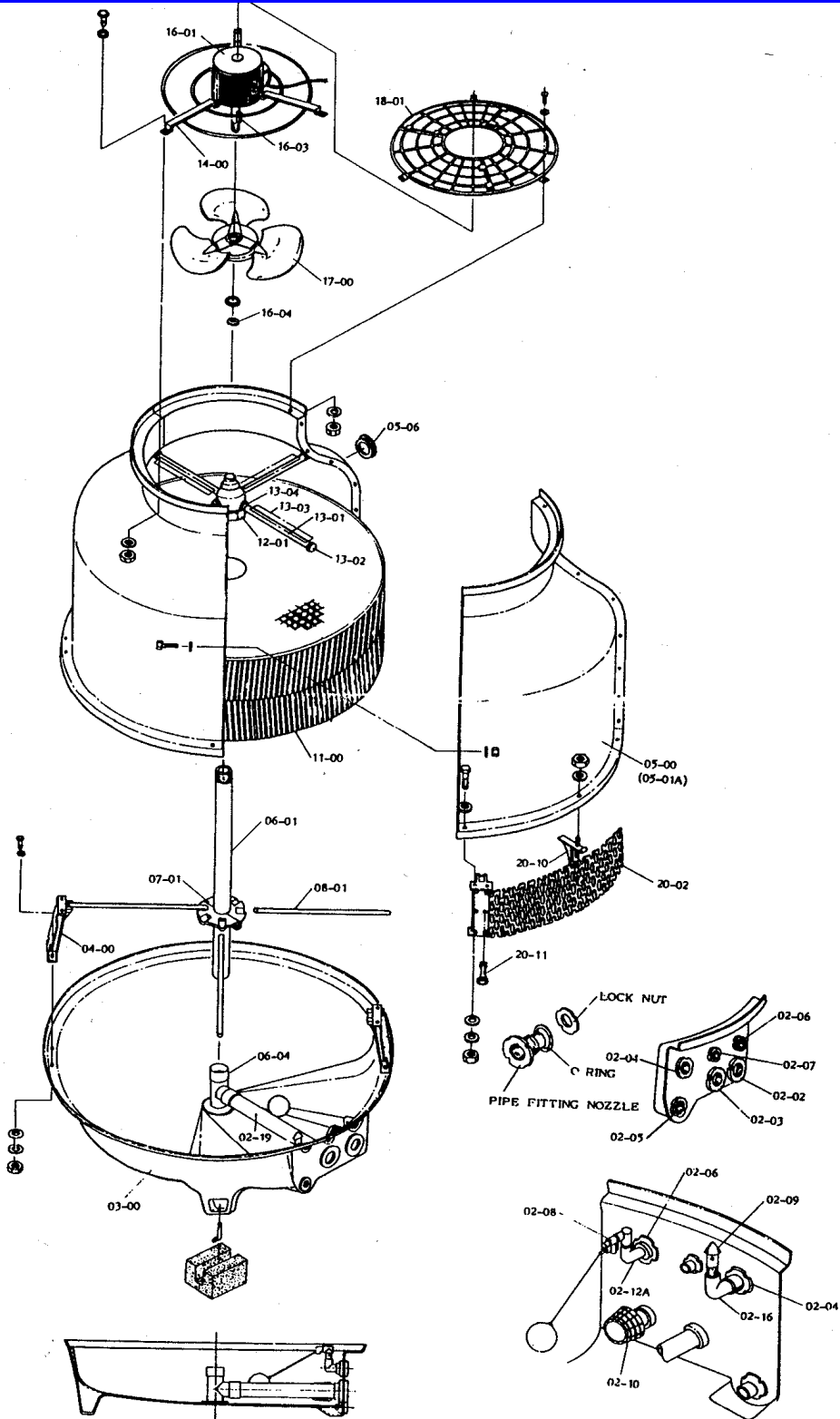
www.coolingtowersystems.com

info@coolingtowersystems.com

ASSEMBLY DIAGRAM: MODEL T-25



Cooling Tower Systems, Inc.



Cooling Tower Systems, Inc.

3170 Mercer University Dr., Macon, GA 31204

TF: 800.752.1905

F: 478.755.8304

www.coolingtowersystems.com

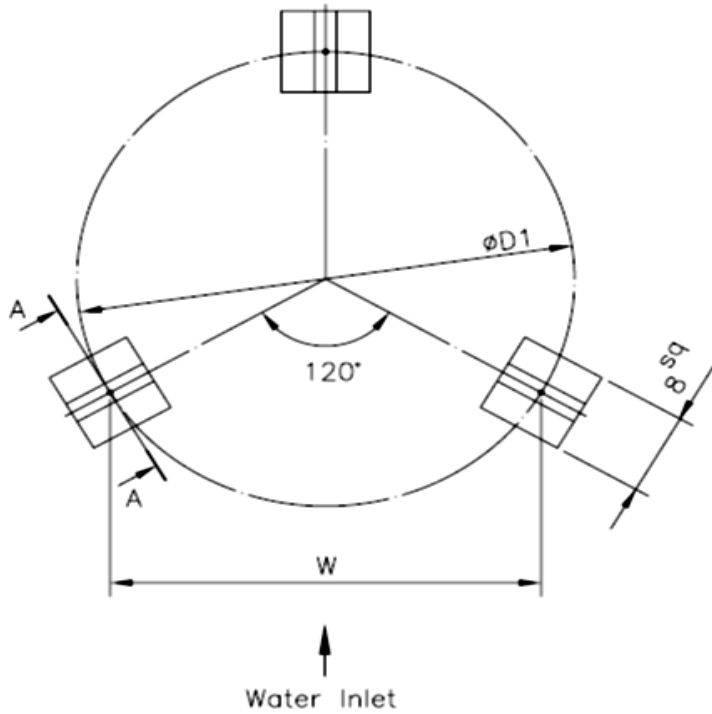
info@coolingtowersystems.com

FOUNDATION DRAWING: MODEL T-25

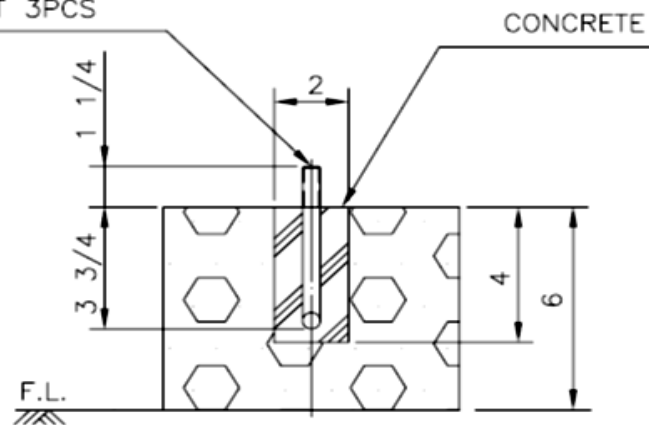


Cooling Tower Systems, Inc.

T-	øD1	W
25~28	21 5/8	18 3/4
210	29 1/2	25 5/8
215	34 5/8	30
220	44	38 1/4



1 1/4" ALL THREAD PROJECTION
 W1/2x5L, L TYPE ANCHOR BOLT 3PCS



A-A SECTION

Cooling Tower Systems, Inc.

3170 Mercer University Dr., Macon, GA 31204

TF: 800.752.1905

F: 478.755.8304

www.coolingtowersystems.com

info@coolingtowersystems.com