



MODEL T-250 TOWER SPECIFICATIONS



Cooling Tower Systems, Inc.

3170 Mercer University Dr., Macon, GA 31204

TF: 800.752.1905

F: 478.755.8304

www.coolingtowersystems.com

info@coolingtowersystems.com



TOWER SPECIFICATIONS: MODEL T-250 Cooling Tower Systems, Inc.

Design and Operating Conditions		Water Distribution System Construction Materials	
Tower Type:	Counter Flow Induced Draft	Stand Pipe:	PVC
Water Flow Rate (GPM):	148 GPM	Sprinkler Head:	AC
Entering Water Temperature	95°F	Sprinkler Pipes:	PVC
Leaving Water Temperature	85°F	Mechanical Equipment	
Wet Bulb Temperature:	75°F	Fan Unit:	One Unit per Tower
Total Fan BHP:	1.5 HP	Type:	Axial Flow
Total Pump Head:	6.6'	Manufacturer:	CTS
Drift Loss of Water Flow:	0.1%	Diameter:	38.25"
Evaporation Loss of Water Flow:	0.93%	Blade Material:	AC
Design Wind Load:	30.7 lbs/sq. ft.	Hub Material:	AC
Structural Details		Nominal Air Volume:	11,500 CFM
Overall Diameter:	78 3/4"	Fan Motor	
Overall Height:	74.5"	Number of motors:	One Unit per Tower
Dry Weight:	435 lbs.	Type:	Induction
Operating Weight:	1,313 lbs.	Manufacturer:	CTS
Basic Tower Construction Materials		Insulation:	F Class
Tower Support Frame Assembly	FRP	Rated HP:	1.5 HP
Casing:	FRP	Voltage and phase:	220/440V/3
Casing Supporters	Nylon	Piping Connections	
Cold Water Basin	FRP	Primary Water Inlet Diameter	3"
Filling:	PVC	Primary Water Outlet Diameter:	3"
Filling Supports:	HDGS	Auto fill inlet diameter:	3/4"
Fan Guard	HDGS	Quick fill inlet diameter:	-
Mechanical Equipment Supports:	HDGS	Overflow outlet diameter:	1"
Inlet Louvers:	PVC	Drain diameter:	1"
Bolts, Nuts & Washers:	STS	Water Flow (GPM):	148 GPM
Materials Key			
FRP	Fiberglass Reinforced Polyester	STS	Stainless Steel
HDGS	Hot Dipped Galvanized Steel	AC	Aluminum Alloy Cast

Cooling Tower Systems, Inc.

3170 Mercer University Dr., Macon, GA 31204

TF: 800.752.1905

F: 478.755.8304

www.coolingtowersystems.com

info@coolingtowersystems.com



PARTS LIST: MODEL T-250

FOR ASSEMBLY DIAGRAM			FOR ASSEMBLY DIAGRAM		
Ref. No.	Description	QTY	Ref. No.	Description	QTY
02-01	Water Sump	1	11-00	Filling	2
02-02	Outlet Nozzle	1	12-01	Sprinkler Head	1
02-03	Inlet Nozzle	1	12-04	Tension Wire	2
02-04	Over Flow Nozzle	1	13-01	Sprinkler Pipe	4
02-05	Drain Nozzle	1	13-02	End Cap	4
02-06	Automatic Filler Nozzle	1	13-03	Eliminator	4
02-07	Quick Filler Nozzle	1	13-04	Lock Nut	4
02-08	Float Valve Assembly	1	14-00	Motor Frame Assembly	1
02-09	Over Flow	1	16-01	Fan Motor	1
02-10	Suction Strainer	1	16-03	Fan Key	1
02-12A	Z Type Connector	1	16-04	Fasten Nut	1
02-16	Elbow	1	17-00	Fan Assembly	1
02-19	Inlet Pipe	1	17-01	Fan Hub	-
03-01	Water Basin	2	17-02	Fan Blade	-
04-00	Casing Supporter	4	17-04	U-Bolt	-
05-01A	Casing	4	18-01	Fan Guard	2
05-06	Hand Hole Cover	1	20-02	Inlet Louver	5
06-01	Stand Pipe	1	20-03	PVC Frame	10
06-04	Stand Pipe Base	1	20-04	Louver Clip	8
07-01	Stopper	1	20-05	Louver Plate	8
08-01	Filling Supporter - A	4	20-06	Lug Plate	8
08-02	Filling Supporter - C	4	OTHERS	Bolts & Nuts	1 SET
10-00	Ladder	1			
10-03	Ladder Bracket - A	2			
10-04	Ladder Bracket - B	2			

Cooling Tower Systems, Inc.

3170 Mercer University Dr., Macon, GA 31204

TF: 800.752.1905

F: 478.755.8304

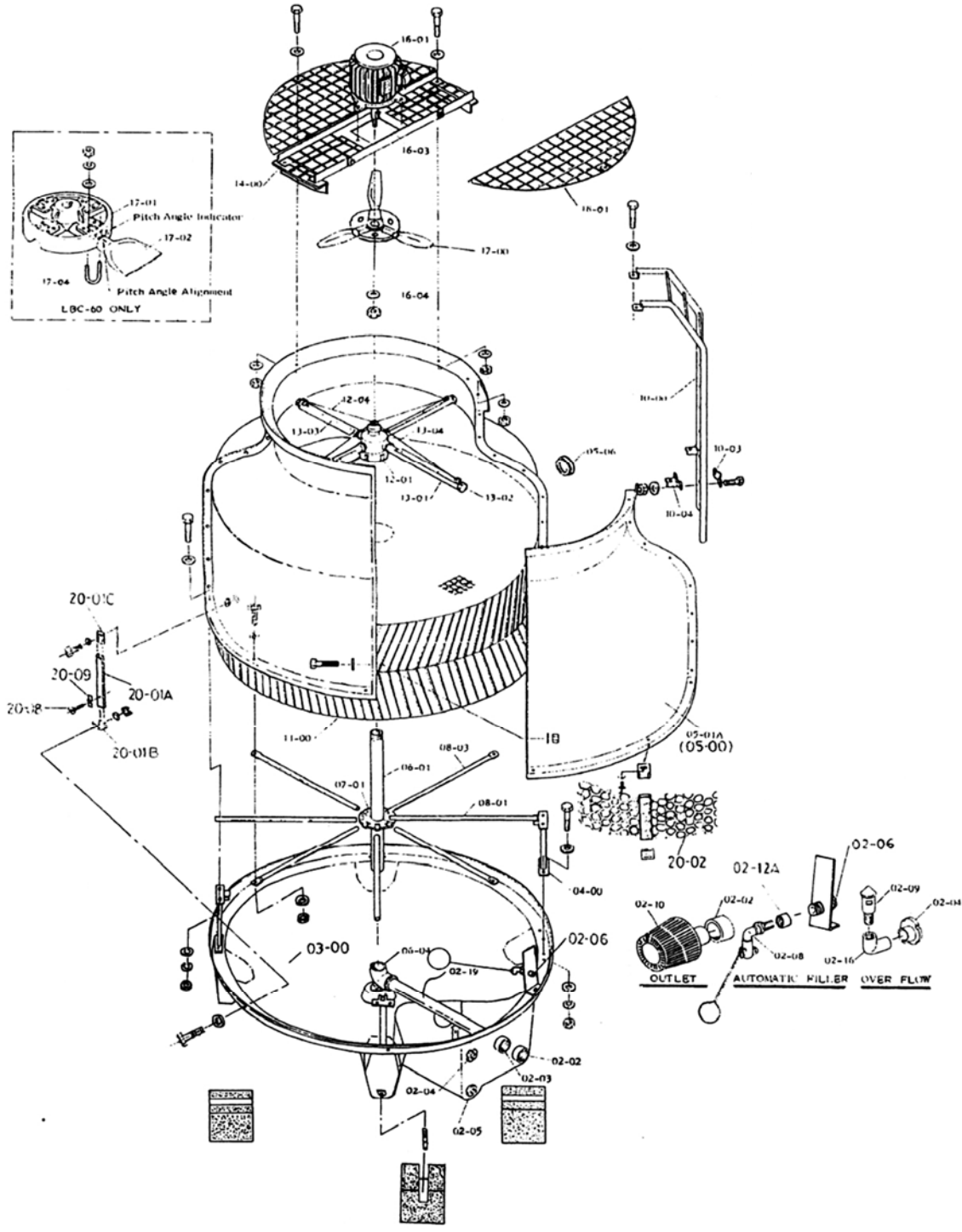
www.coolingtowersystems.com

info@coolingtowersystems.com



Cooling Tower Systems, Inc.

ASSEMBLY DIAGRAM: MODEL T-250



Cooling Tower Systems, Inc.

3170 Mercer University Dr., Macon, GA 31204

TF: 800.752.1905

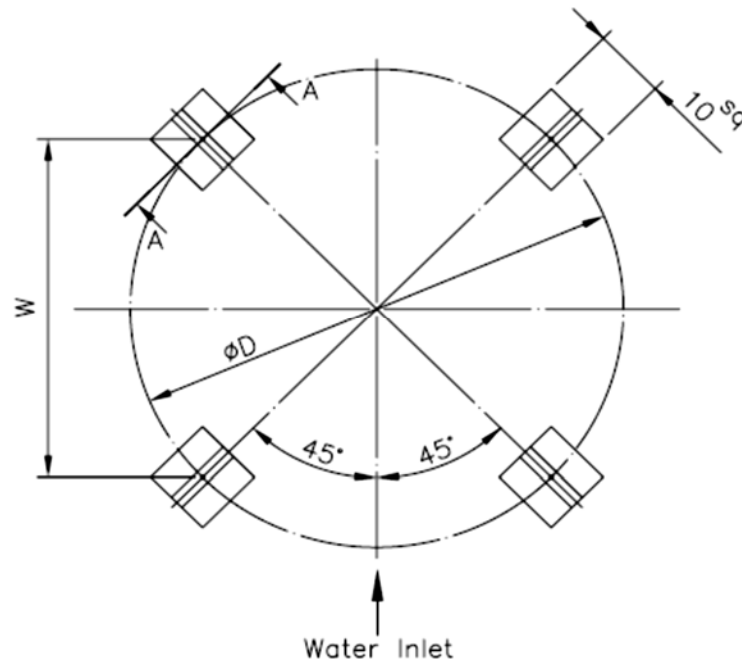
F: 478.755.8304

www.coolingtowersystems.com

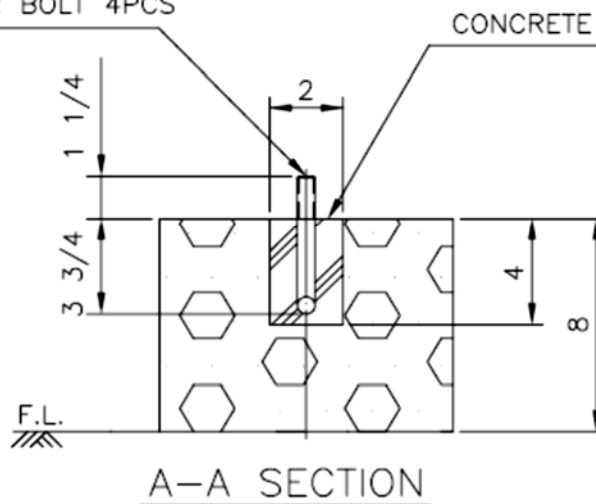
info@coolingtowersystems.com

FOUNDATION DRAWING: MODEL T-250 Cooling Tower Systems, Inc.

T-	øD	W	L TYPE ANCHOR BOLT		
			SIZE	L	PCS
240	57 7/8	40 7/8	W1/2	5	4
250	66 1/8	46 3/4	W1/2	5	4
260	66 1/8	46 3/4	W1/2	5	4



1 1/4" ALL THREAD PROJECTION
W1/2x5L, L TYPE ANCHOR BOLT 4PCS



Cooling Tower Systems, Inc.

3170 Mercer University Dr., Macon, GA 31204

TF: 800.752.1905

F: 478.755.8304

www.coolingtowersystems.com

info@coolingtowersystems.com